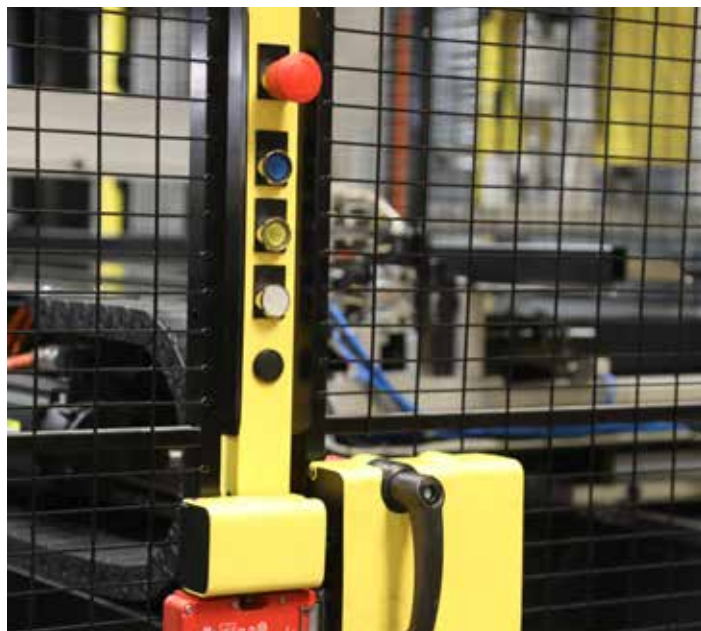


# Axelent Product Information

---

» X-Guard® Post prepared for push buttons



## X-Guard® Post prepared for push buttons

Axelent has developed X-Guard posts ready prepared for push buttons in a standard design. They make handling much easier and give a clean and tidy installation. The post is equipped with a cover plate that doubles up as a guard against accidental activation.

The post comes in dimensions of 50x50 and 70x70 mm, and heights of 2000 and 2300 mm.

Standard colour: Yellow (RAL 1018). The posts can also be tailored to specific customer requirements.

### Posts Post prepared for push buttons

- 50x50 and 70x70 mm
  - Heights: 2000 and 2300 mm
-

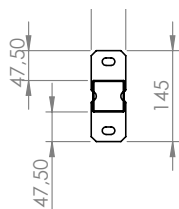
# Axelent Product Information

## » X-Guard® Posts

### Technical data

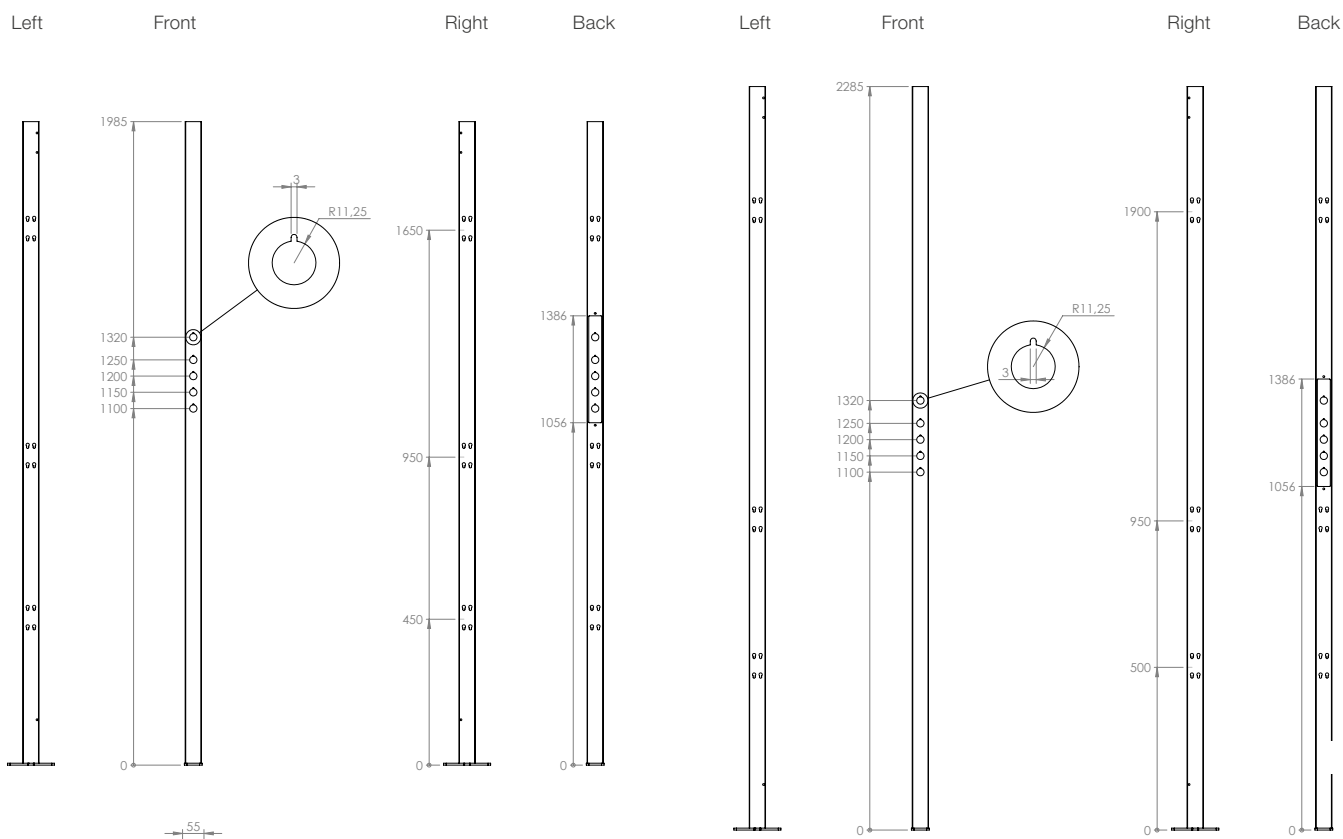
Art. no.

Height (mm)



50x50 mm, Yellow (RAL 1018)

|             |      |
|-------------|------|
| P11-200-A01 | 2000 |
| P11-230-A01 | 2300 |



# Axellent Product Information

» X-Guard® Posts

**Technical data**

| Art. no. | Height (mm) |
|----------|-------------|
|----------|-------------|

70x70 mm, Yellow (RAL 1018)

|             |      |
|-------------|------|
| P13-200-A01 | 2000 |
| P13-230-A01 | 2300 |

