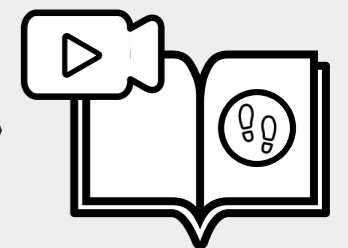
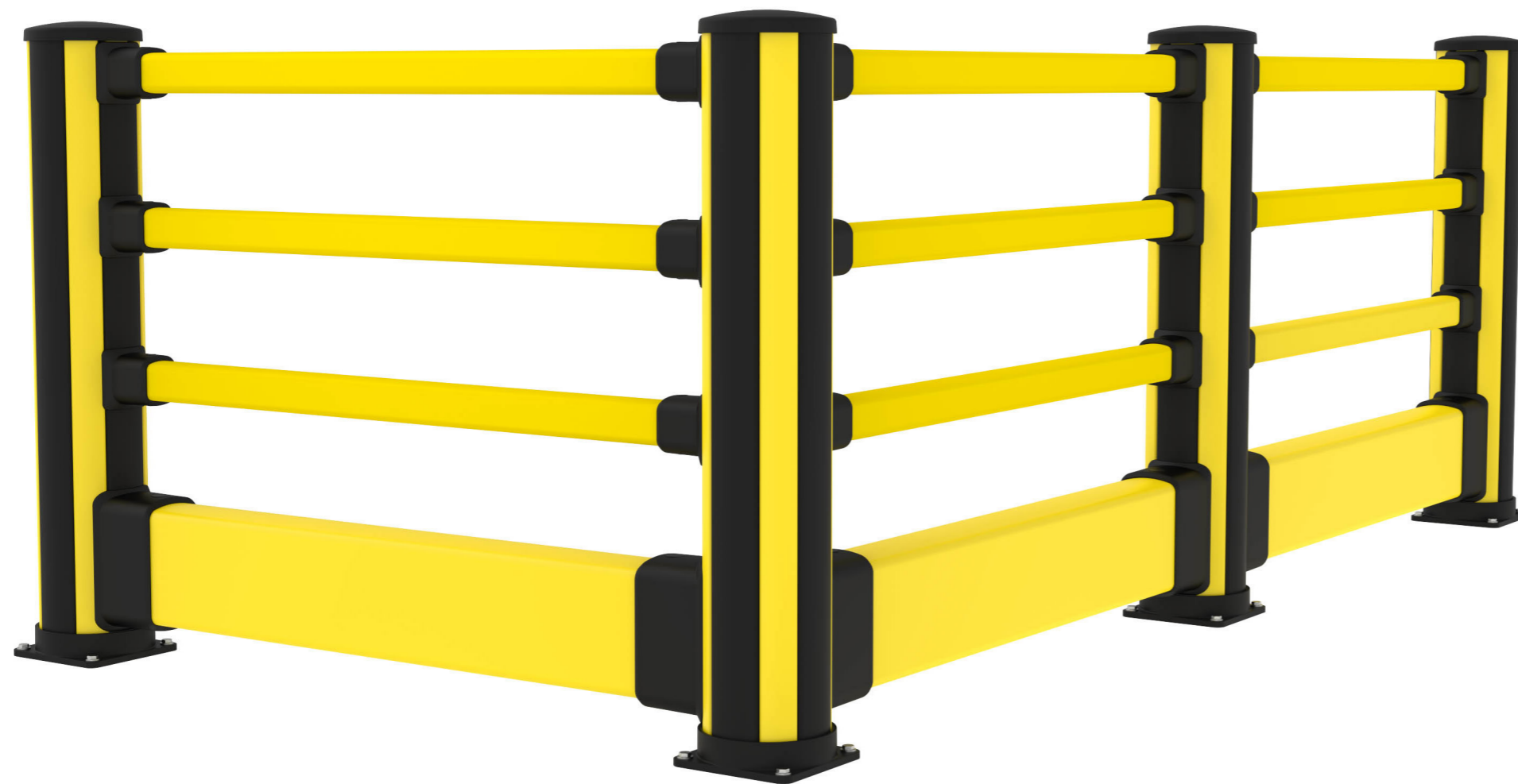


X-Protect

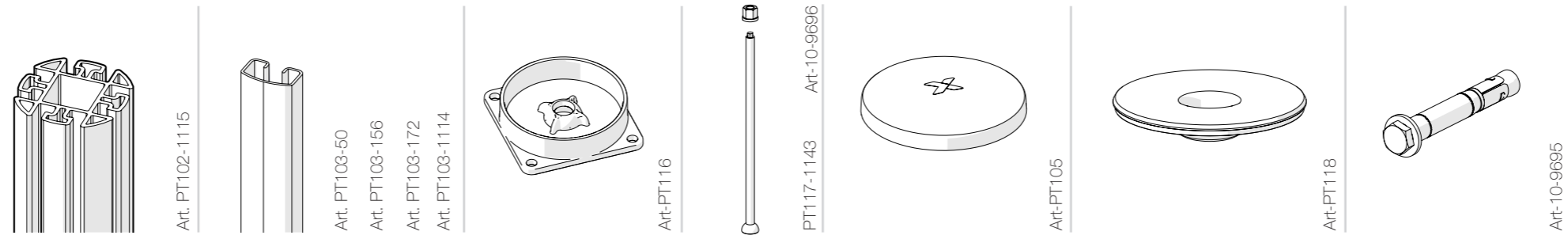
Pedestrian + Impact



AXELENT AB

WWW.AXELENT.COM





BCE0-116-I1P3
BCM0-116-I1P3
BCC0-116-I1P3

1		1	1	2	3	1+1	1	1	1	4
1		2	2	4	2	1+1	1	1	1	4
1		2	2	4	2	1+1	1	1	1	4

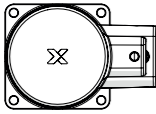
CCS9-000-00P1

3	3	3
6	6	6
6	6	6

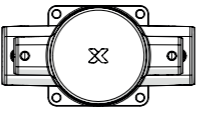
CCS9-000-I100

1	1	1
2	2	2
2	2	2

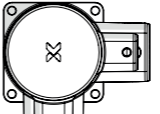
BCE0-116-I1P3
BCM0-116-I1P3
BCC0-116-I1P3



BCE0-116-I1P3



BCM0-116-I1P3



BCC0-116-I1P3

	CCS9-000-00P1	PT103-172		
	CCS9-000-00P1	PT103-172		
PT103-1114	PT103-172	PT103-1114	PT103-1114	
	CCS9-000-00P1	PT103-156		
	CCS9-000-I100			
	PT103-050			

	CCS9-000-00P1	PT103-172		CCS9-000-00P1
	CCS9-000-00P1	PT103-172		CCS9-000-00P1
PT103-1114	PT103-172	PT103-1114	PT103-172	
	CCS9-000-00P1	PT103-156		CCS9-000-00P1
	CCS9-000-I100			CCS9-000-I100
	PT103-050			PT103-050

		CCS9-000-00P1	CCS9-000-00P1
		PT103-172	PT103-172
PT103-1114	PT103-1114	PT103-172	PT103-172
		CCS9-000-00P1	CCS9-000-00P1
		PT103-156	PT103-156
		CCS9-000-I100	CCS9-000-I100
		PT103-050	PT103-050

RCP1-XXX-XXXX
 (RC1-length-centre to centre)

RCI1-XXX-XXXX
 (RC1-length-centre to centre)



The pin hole location, size and adjacent material integrity are critical to the overall system function and performance. Axelent therefore advises against any onsite alterations as performance cannot be guaranteed.

