

. VERTICAL MOUNTING FOR POS. W. TUMBLER
 3SE5312../3SE5322.. AND ASI 3SF13... AND POS. WITH
 SEPARATE ACTUATOR 3SE51../3SE52.. AND ASI 3SF11../3SF21..



Figure similar

Product designation	actuator
General technical data	
Shock resistance	
<ul style="list-style-type: none"> • acc. to IEC 60068-2-27 	30 g / 11 ms
Vibration resistance	
<ul style="list-style-type: none"> • acc. to IEC 60068-2-6 	0.35 mm/5g
Mechanical service life (switching cycles)	
<ul style="list-style-type: none"> • typical 	1 000 000
Equipment marking	
<ul style="list-style-type: none"> • acc. to DIN EN 61346-2 	T
<ul style="list-style-type: none"> • acc. to DIN EN 81346-2 	T
Active principle	mechanical
Drive Head	
Design of the operating mechanism	Actuator with vertical attachment, stainless steel
Ambient conditions	
Ambient temperature	

- during operation
- during storage

-40 ... +85 °C

-40 ... +90 °C

Installation/ mounting/ dimensions

Mounting position	any
Mounting type	screw fixing

Certificates/approvals

General Product Approval

Declaration of
Conformity

other



CSA



UR



EG-Konf.

[Confirmation](#)

Further information

Information- and Downloadcenter (Catalogs, Brochures,...)

<http://www.siemens.com/industrial-controls/catalogs>

Industry Mall (Online ordering system)

<https://mall.industry.siemens.com/mall/en/en/Catalog/product?mlfb=3SE5000-0AW52>

Cax online generator

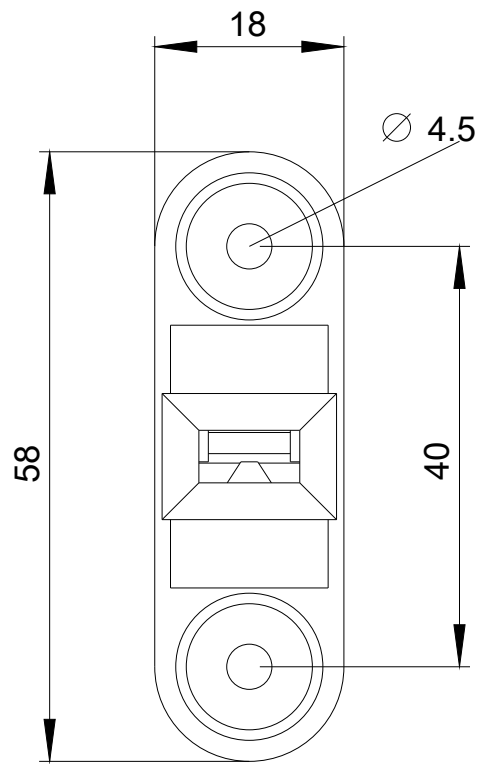
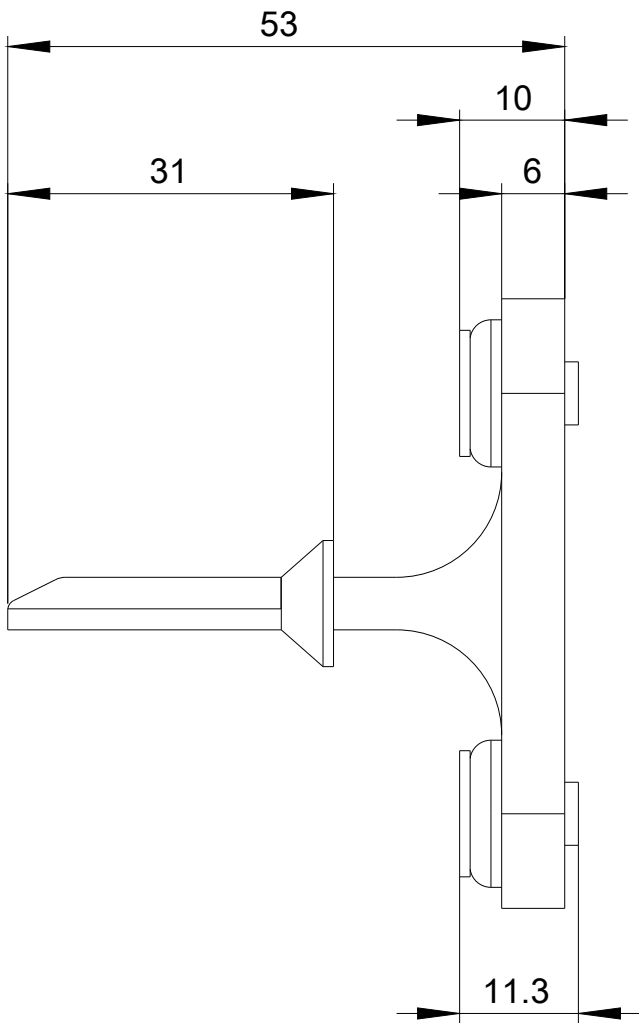
<http://support.automation.siemens.com/WW/CAXorder/default.aspx?lang=en&mlfb=3SE5000-0AW52>

Service&Support (Manuals, Certificates, Characteristics, FAQs,...)

<https://support.industry.siemens.com/cs/ww/en/ps/3SE5000-0AW52>

Image database (product images, 2D dimension drawings, 3D models, device circuit diagrams, EPLAN macros, ...)

http://www.automation.siemens.com/bilddb/cax_de.aspx?mlfb=3SE5000-0AW52&lang=en



last modified:

11/08/2017