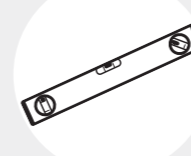
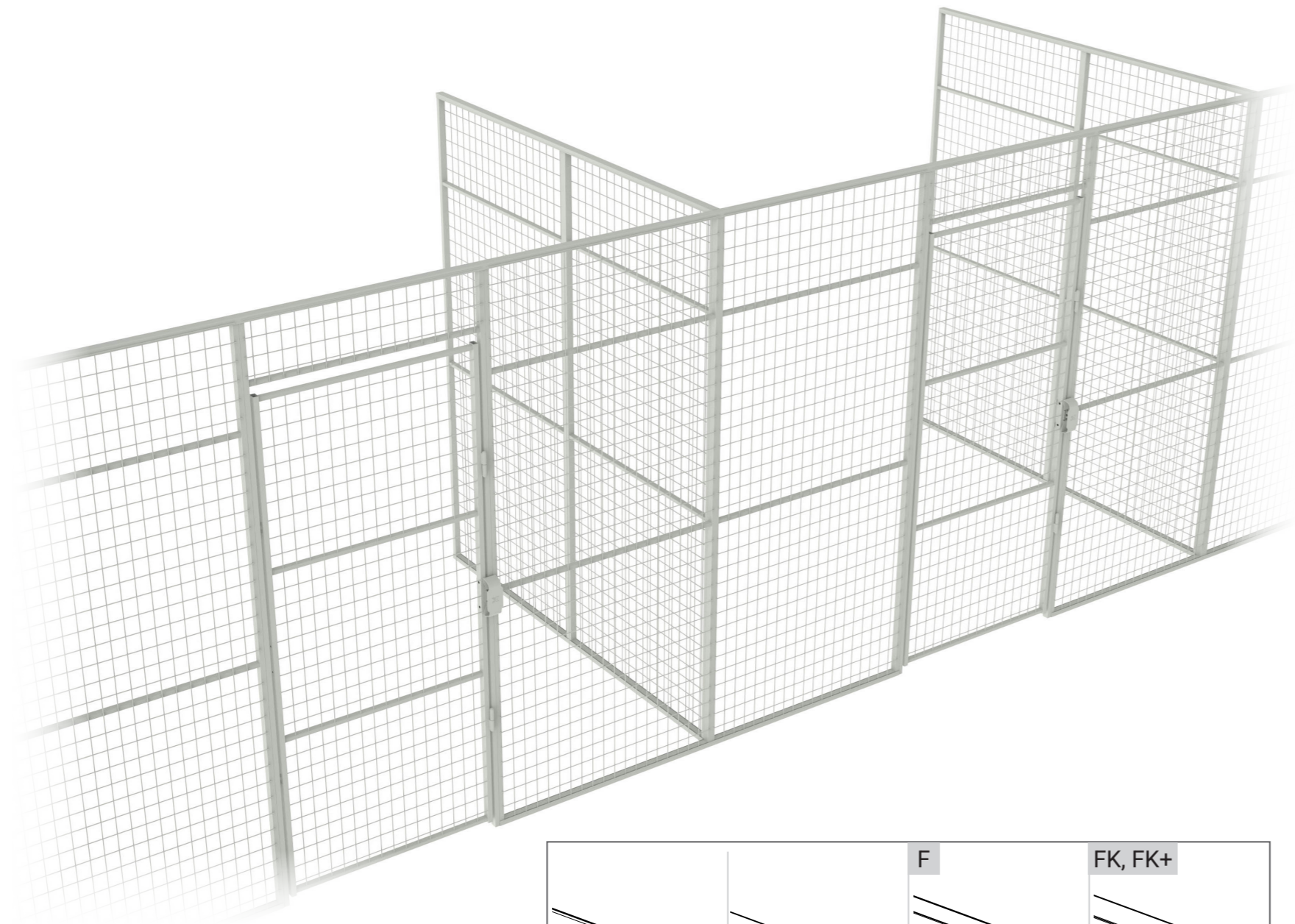


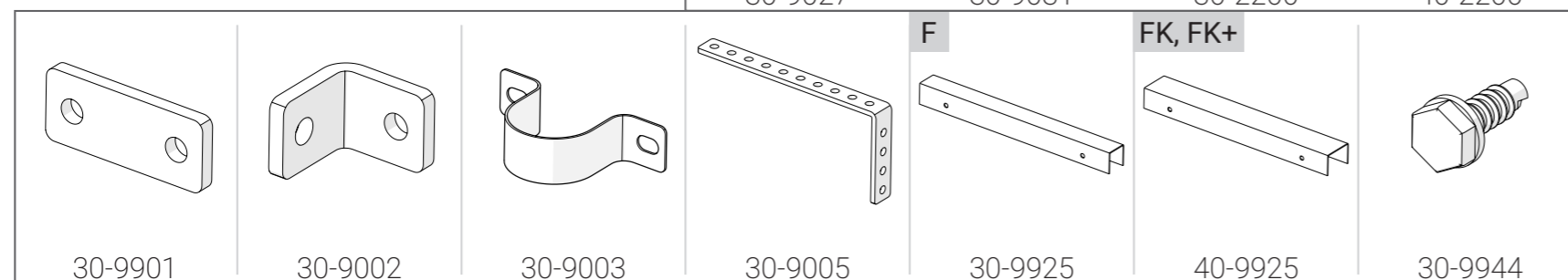
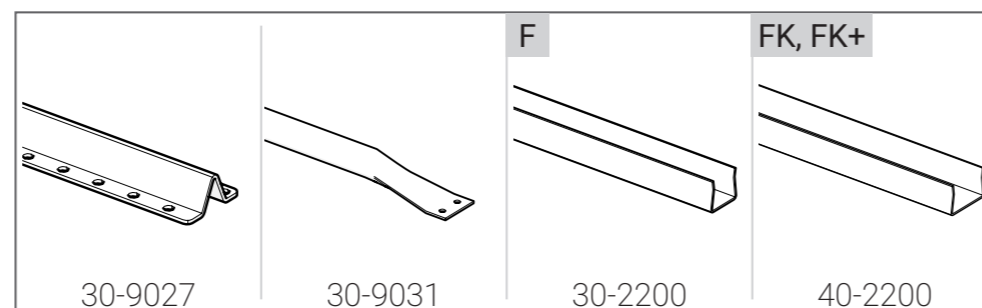
Axelent Storeroom

F, FK, FK+



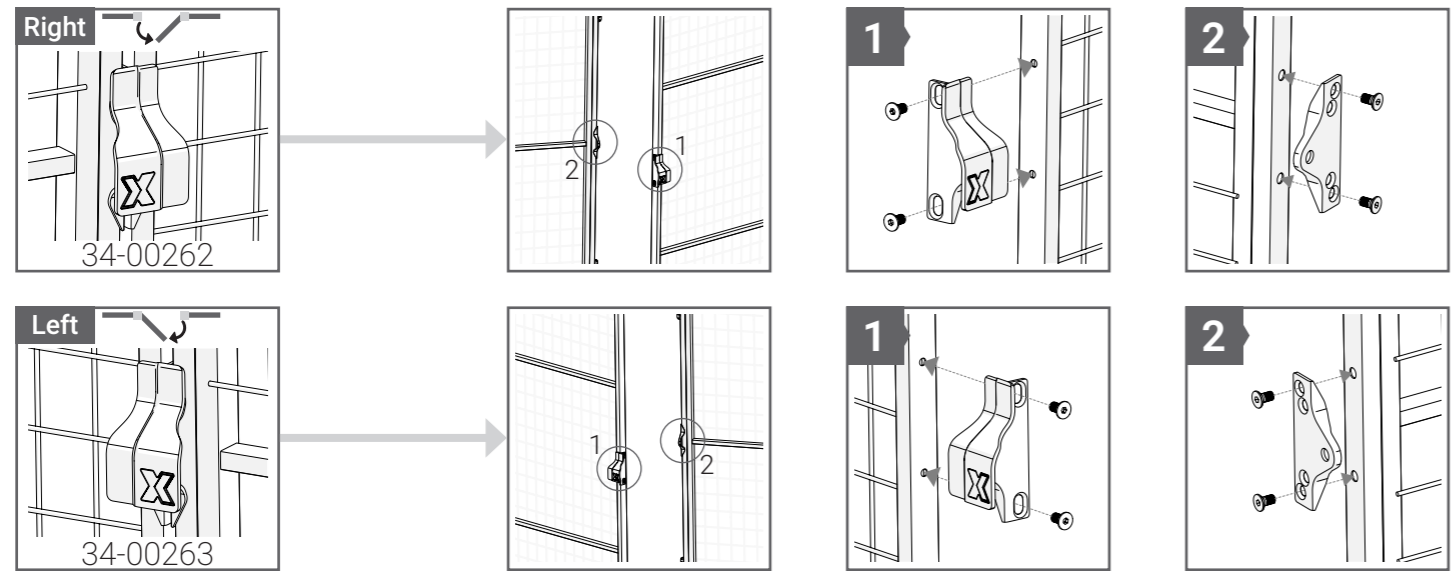
AXELENT AB

WWW.AXELENT.COM

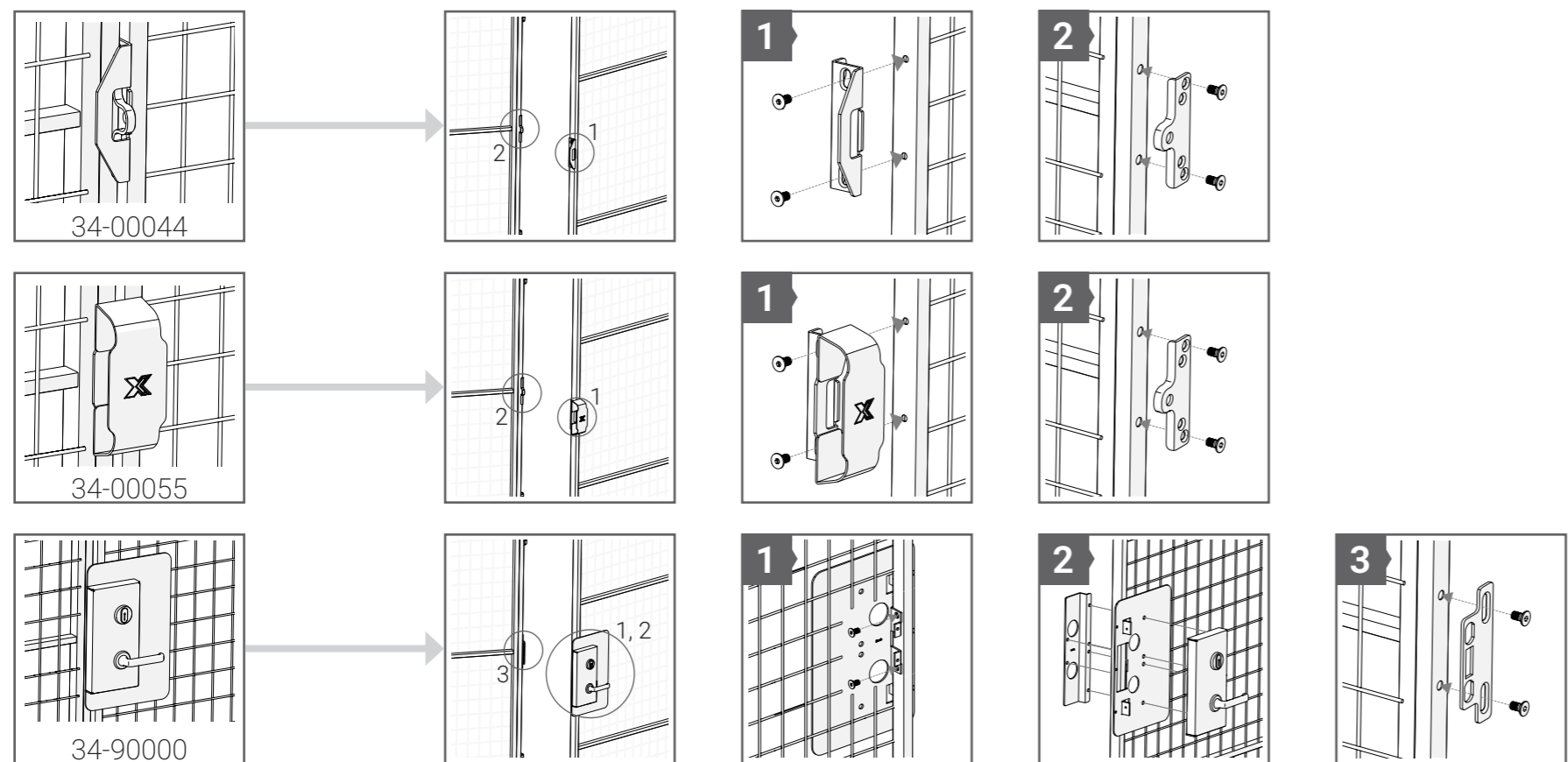


Locks

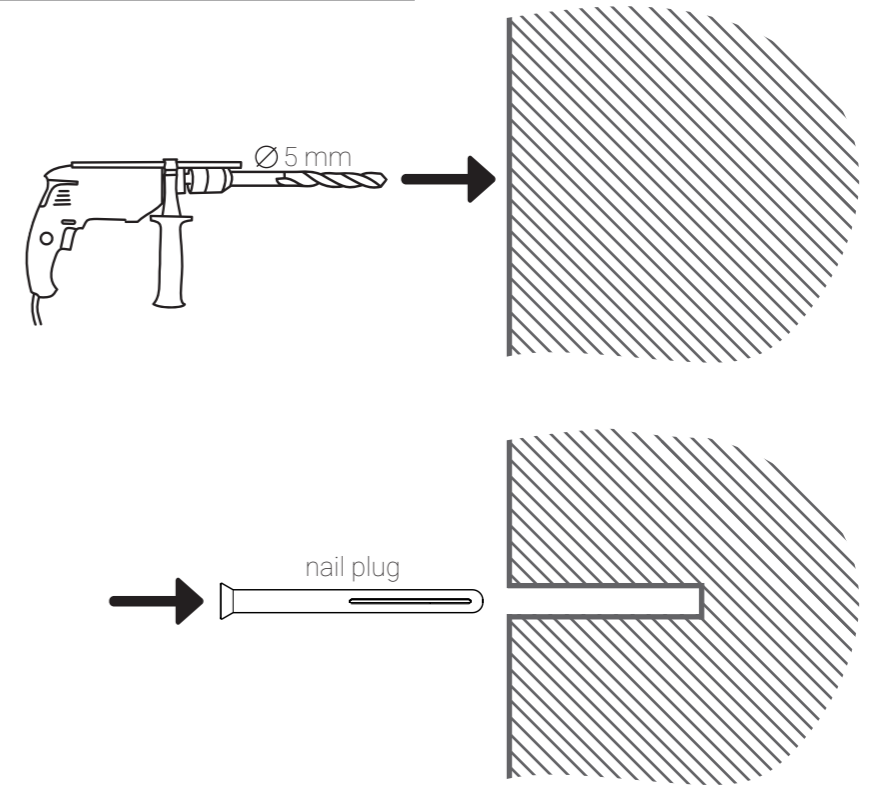
FK+

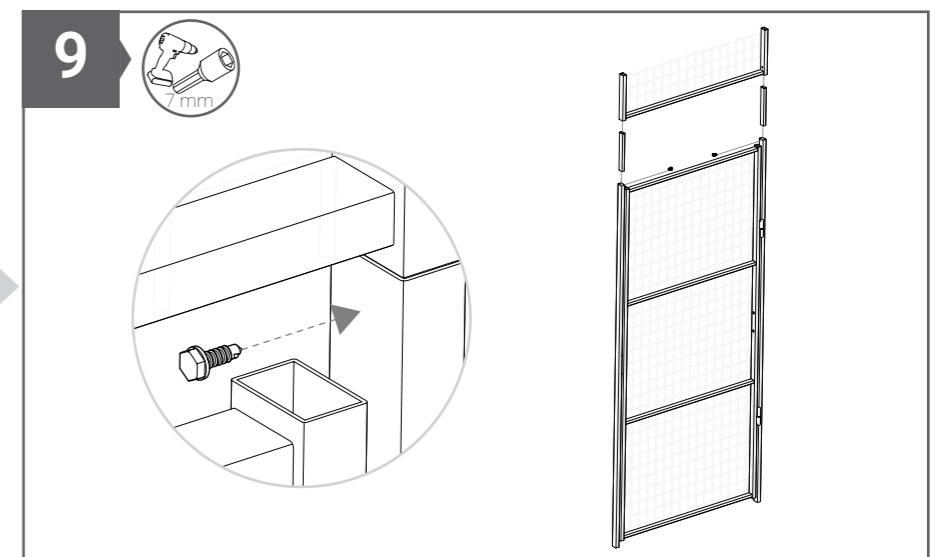
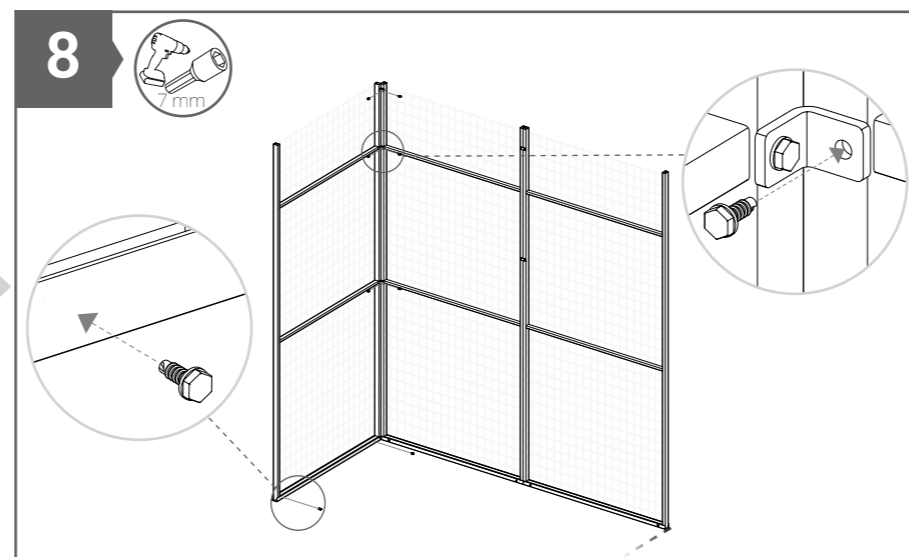
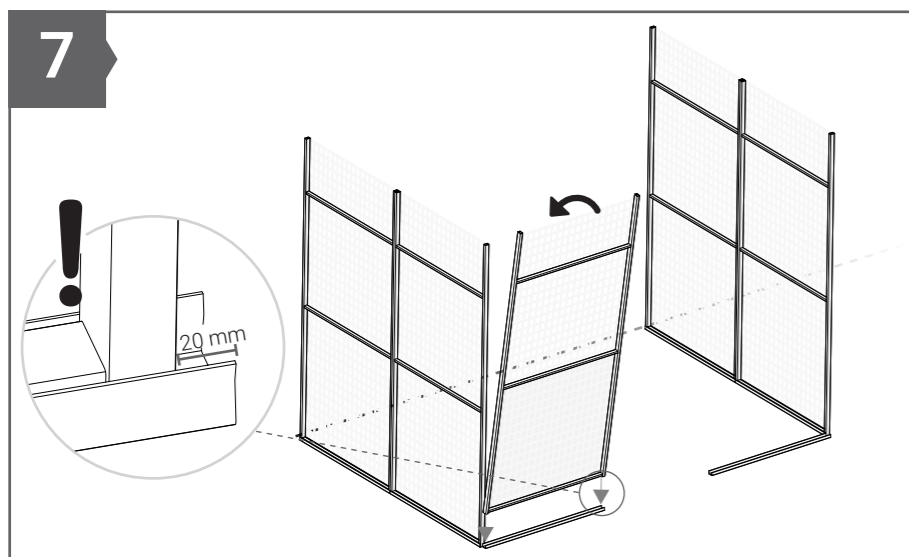
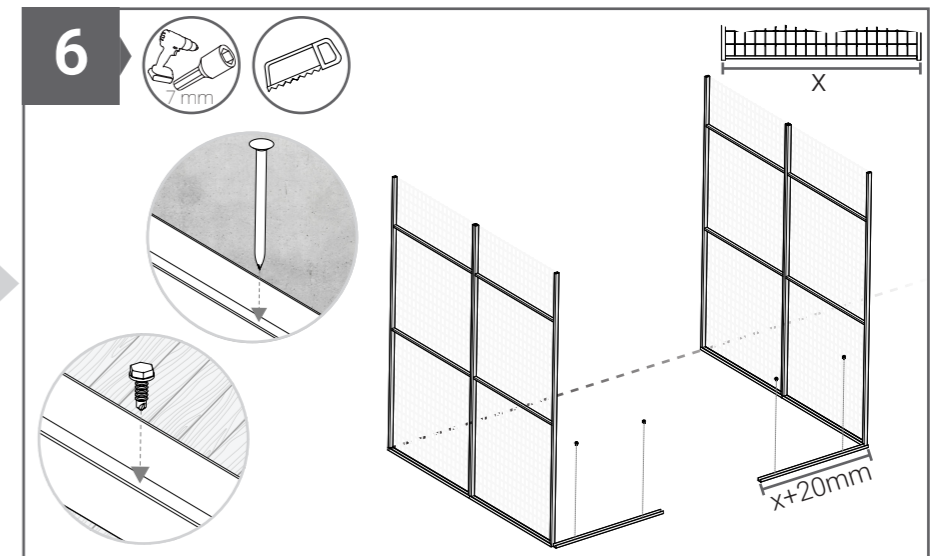
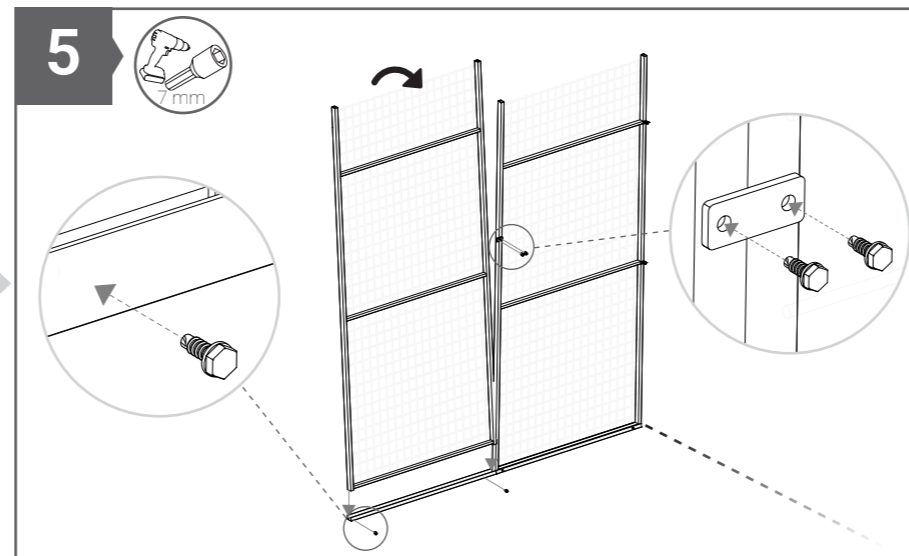
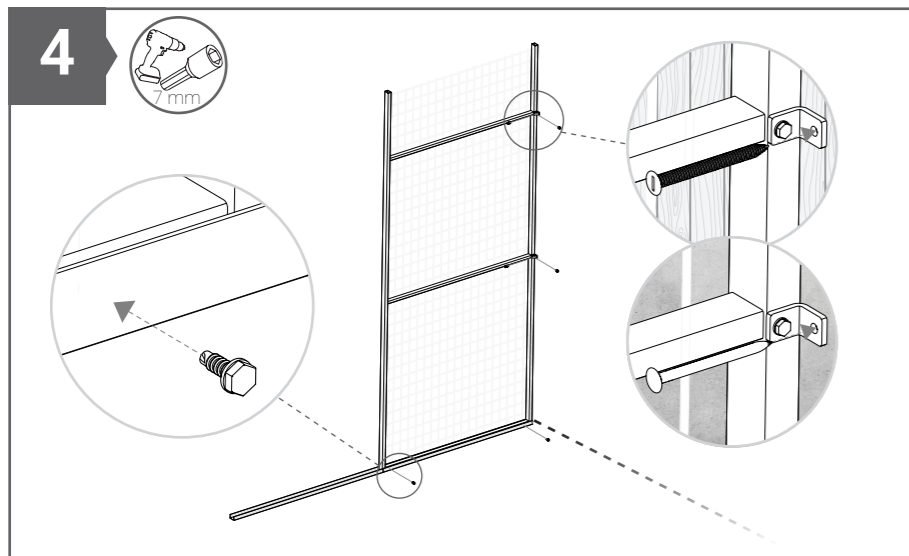
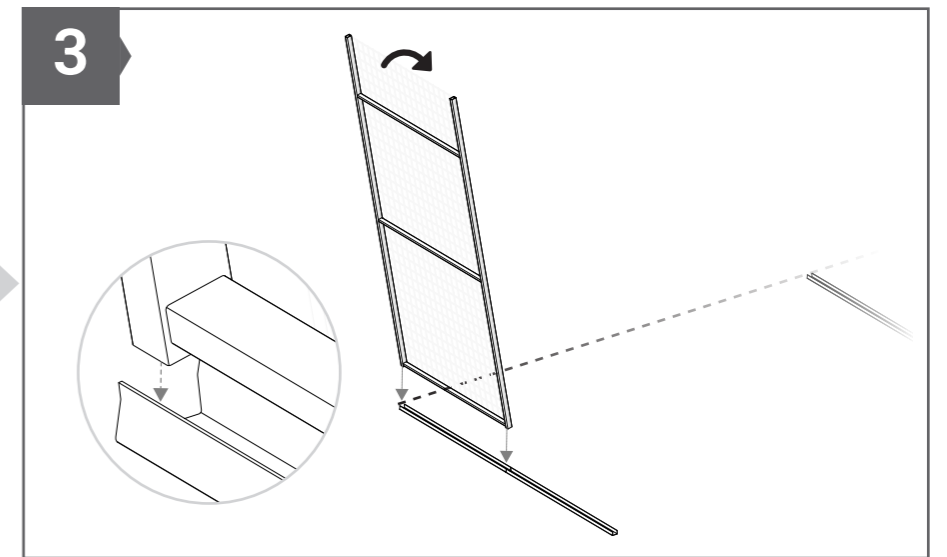
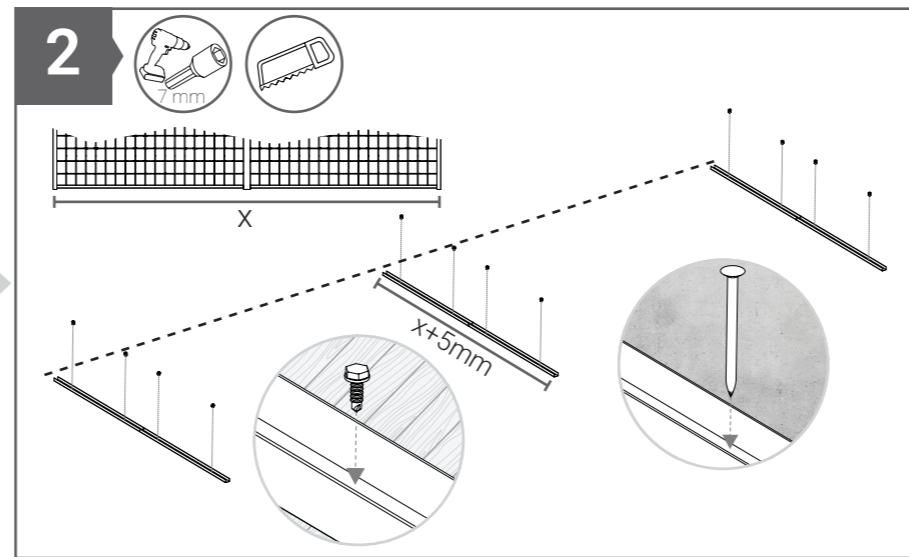
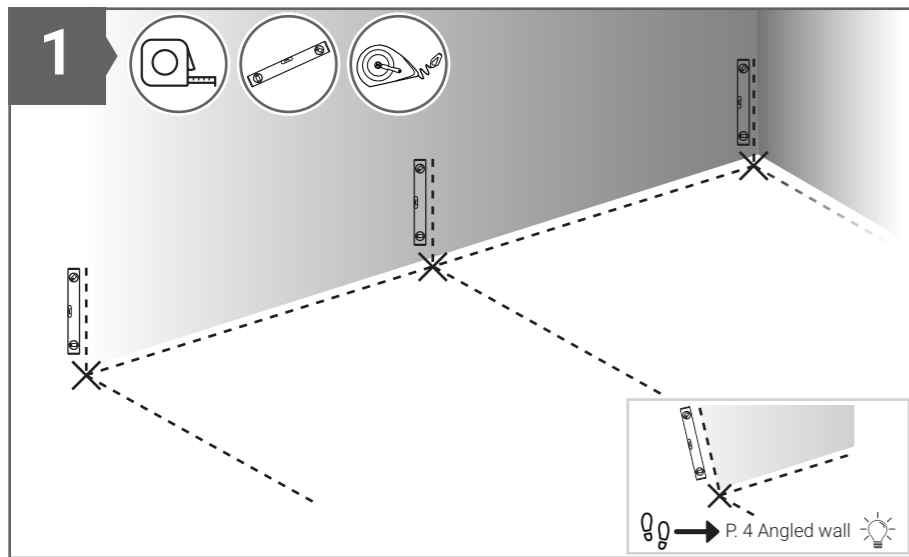


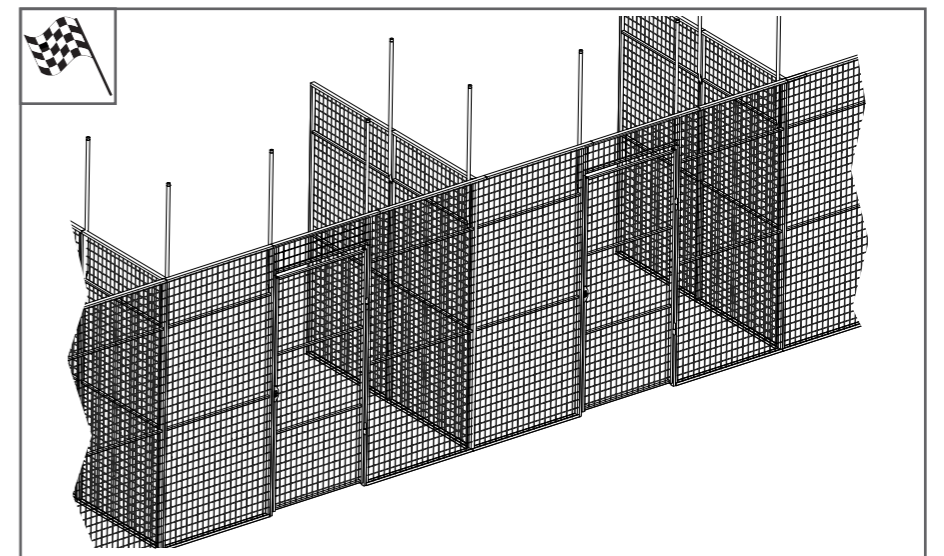
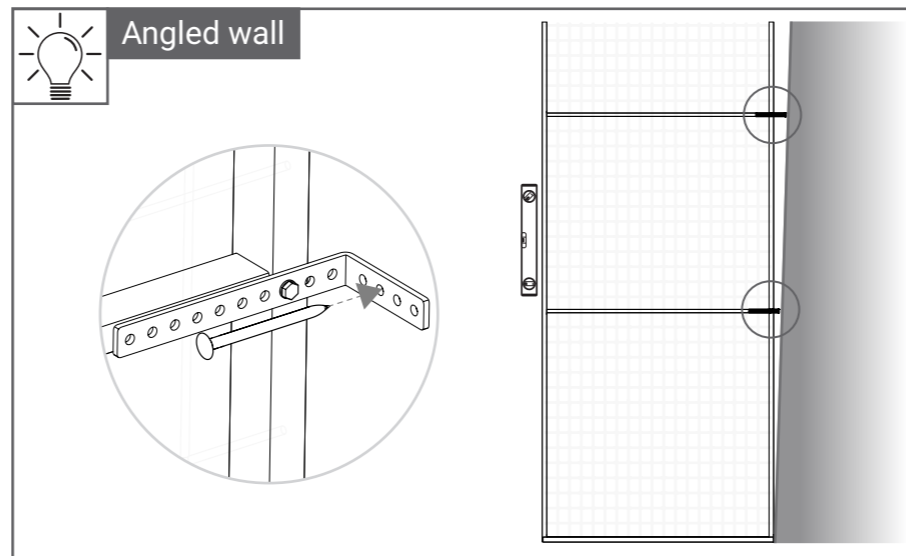
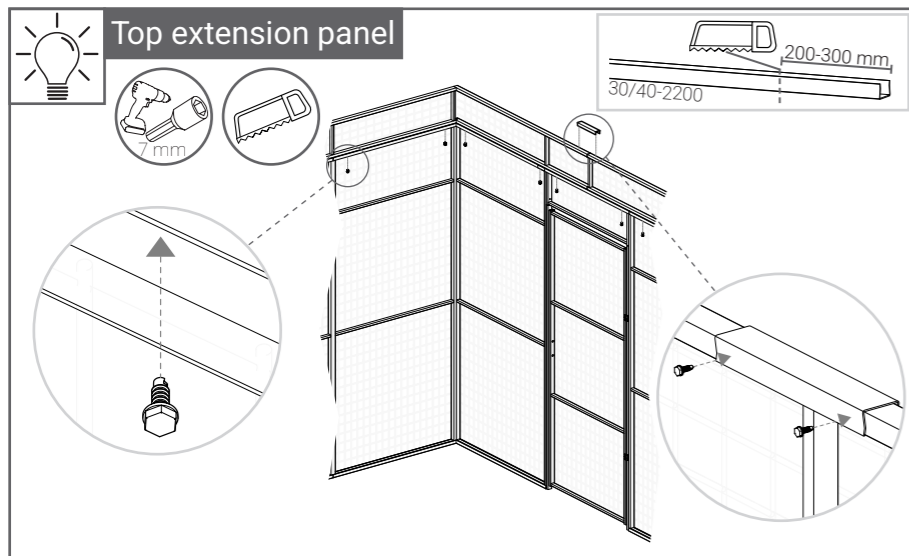
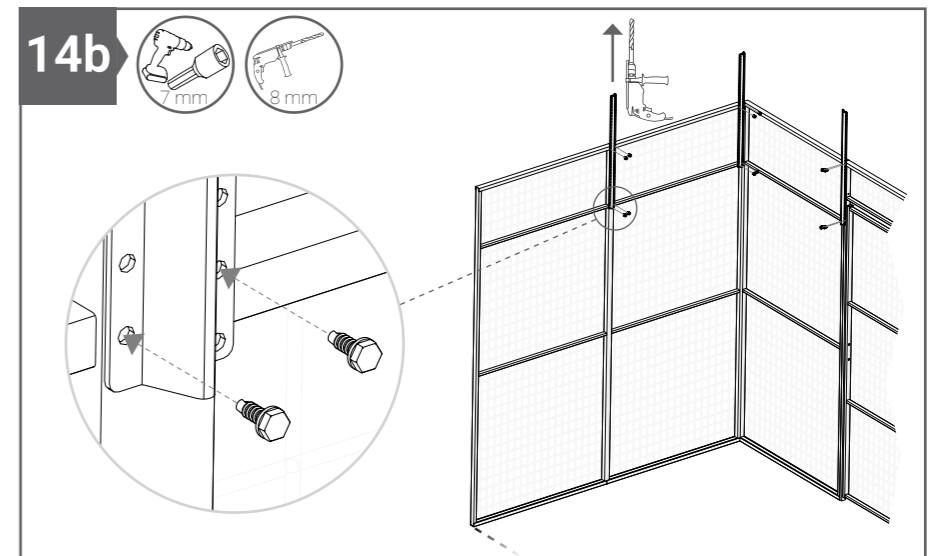
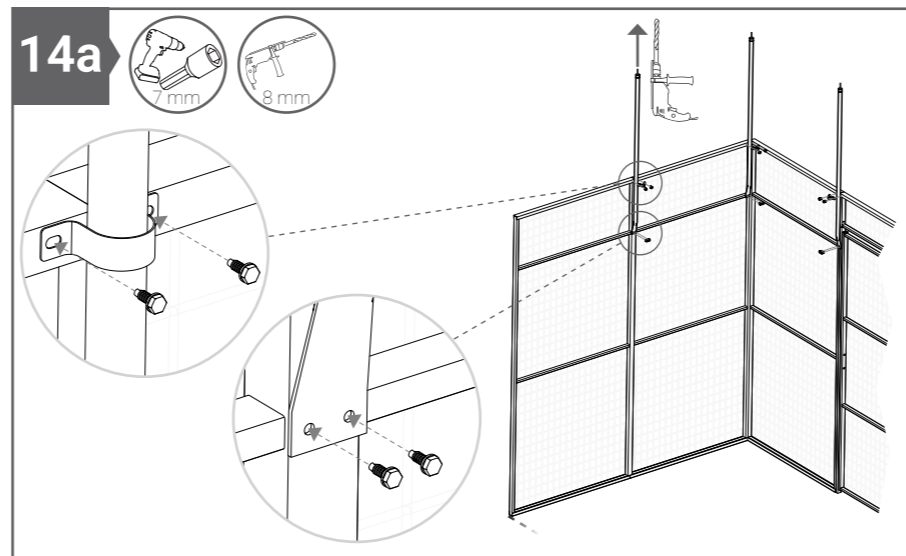
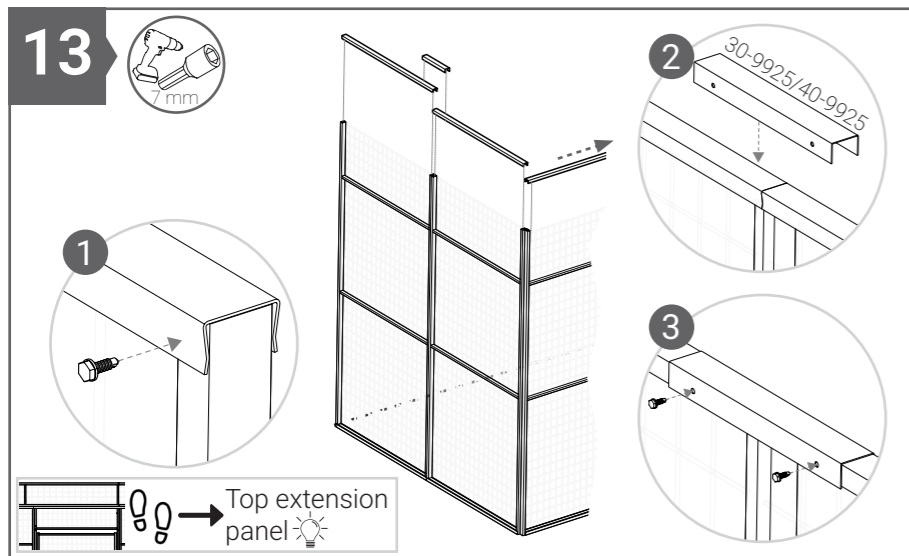
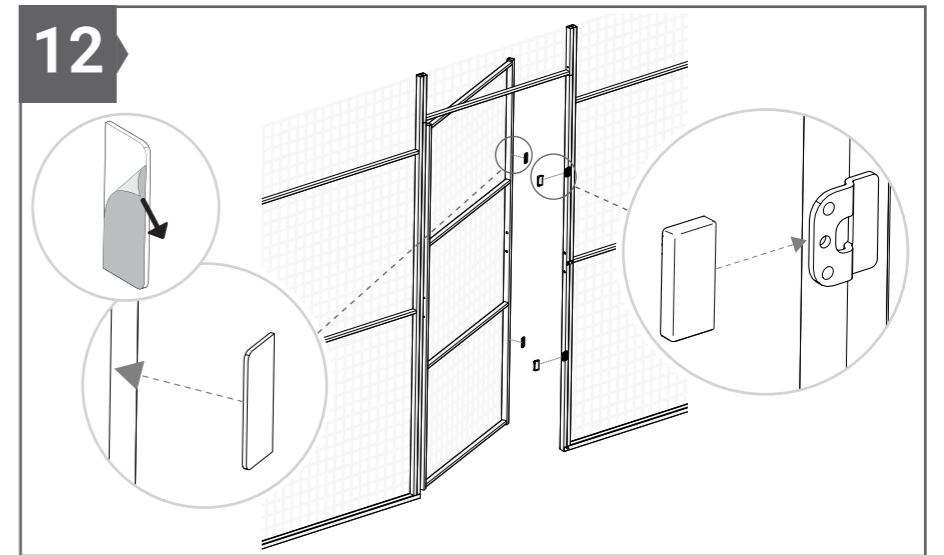
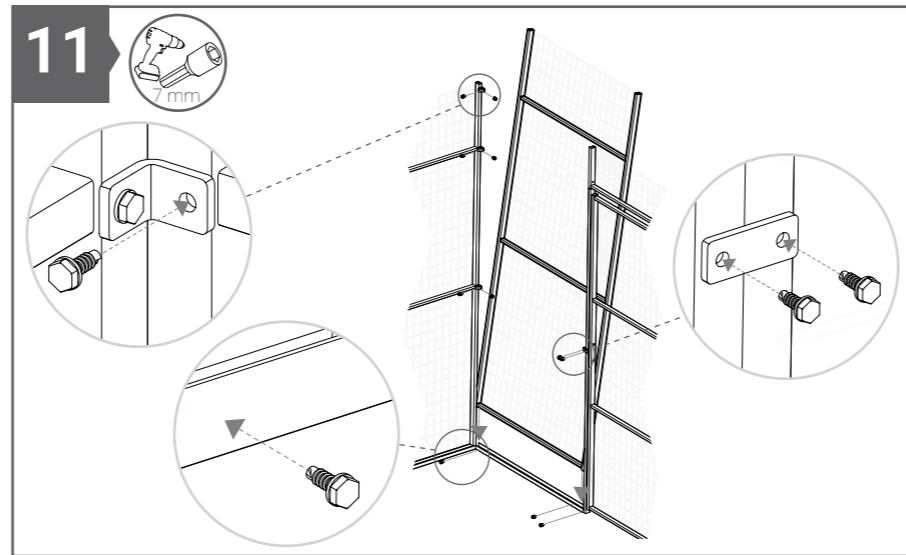
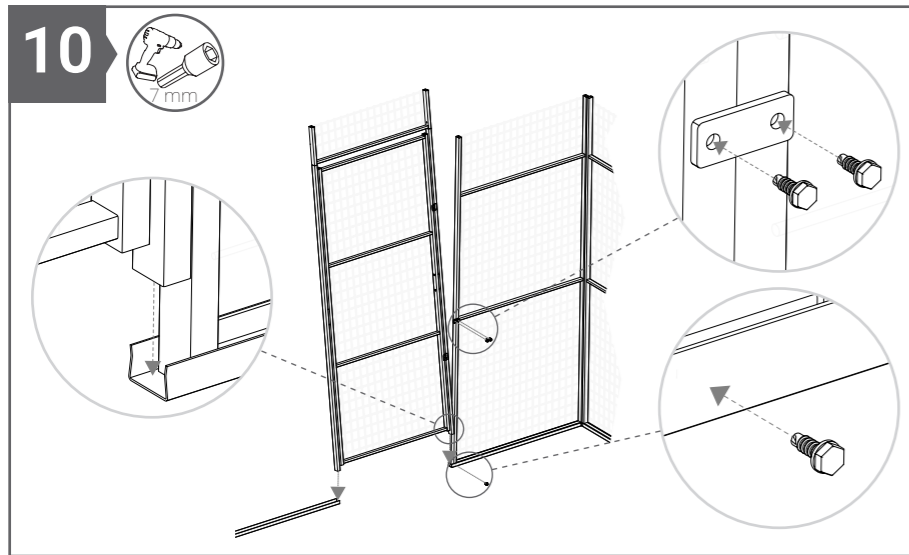
F/FK



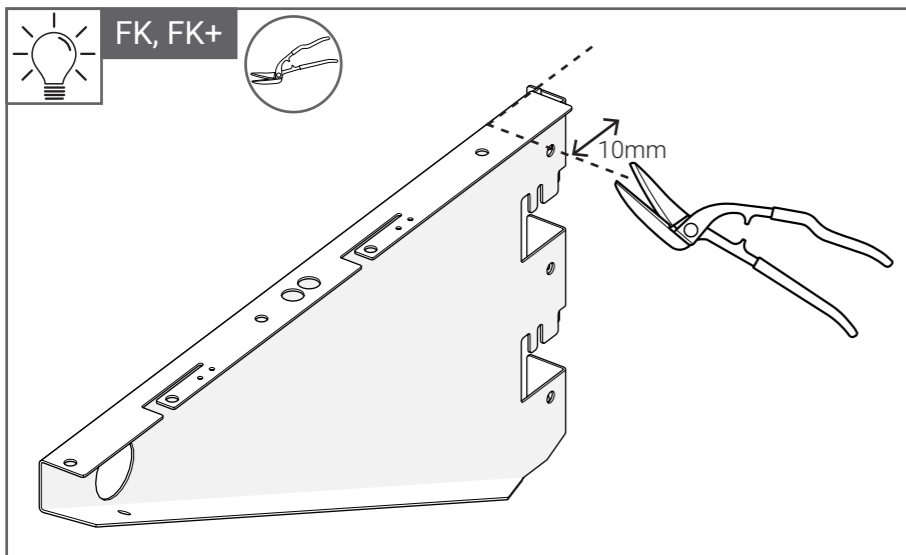
Anchoring into concrete walls



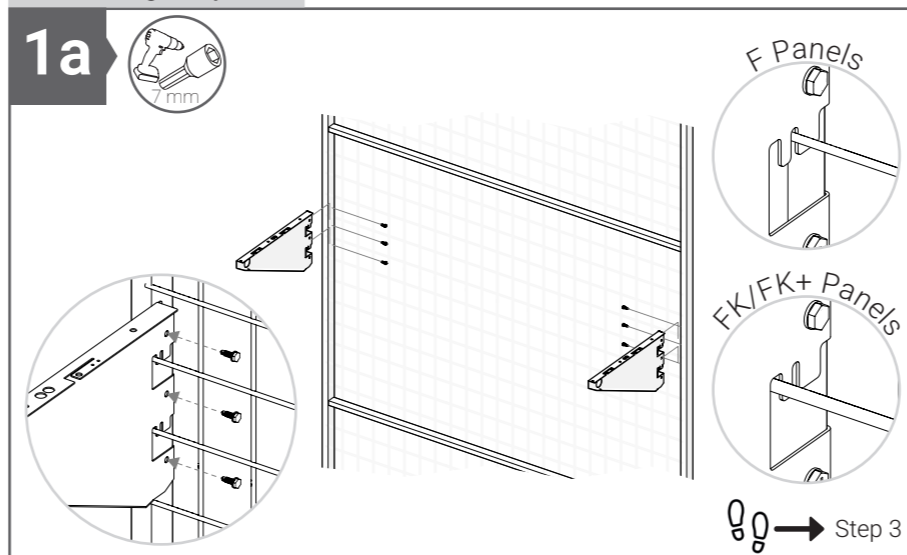




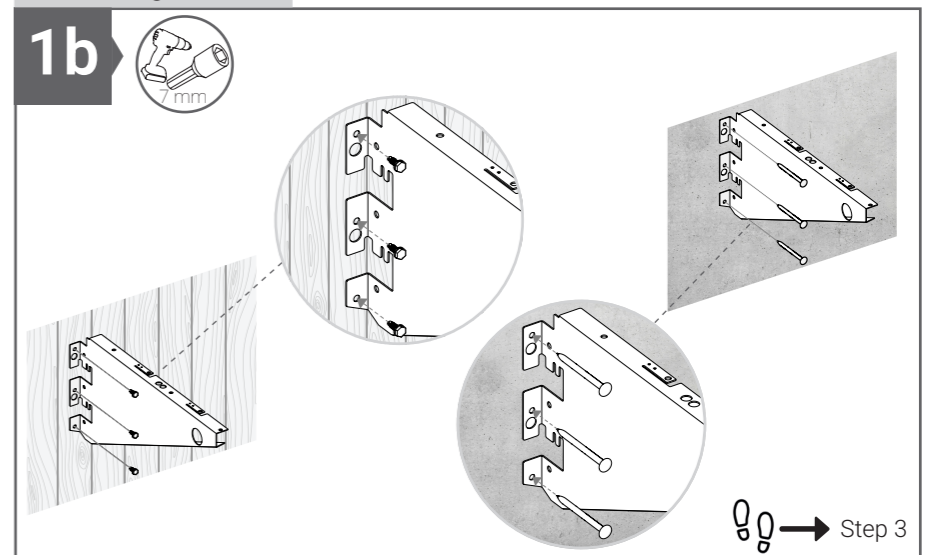
Shelf assembly instructions



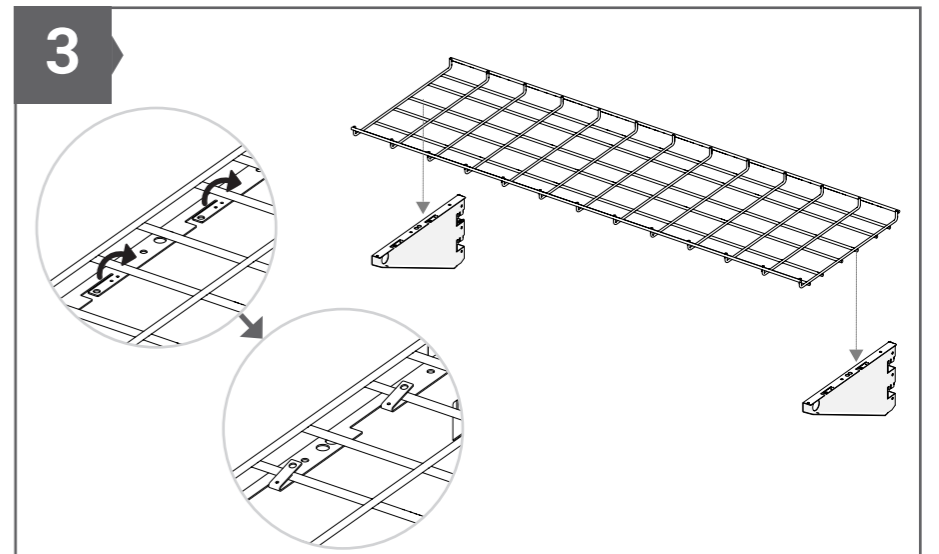
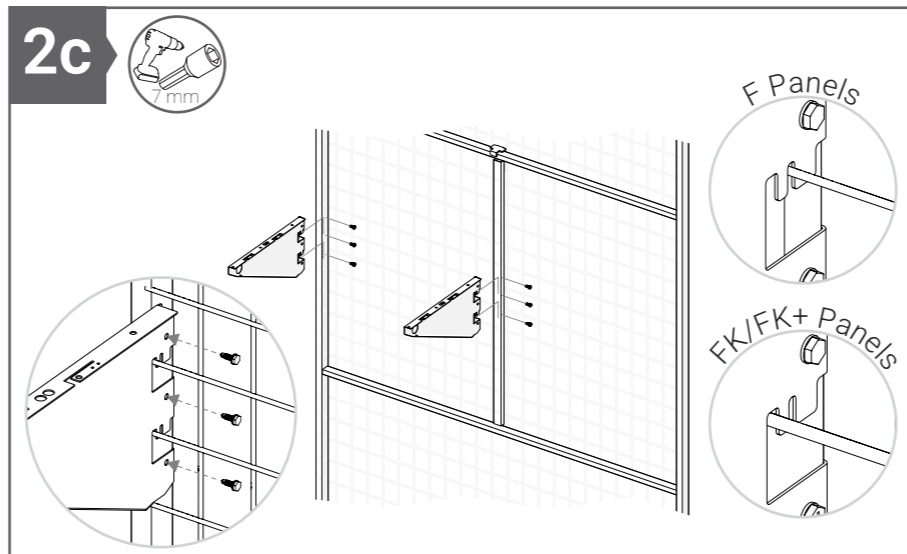
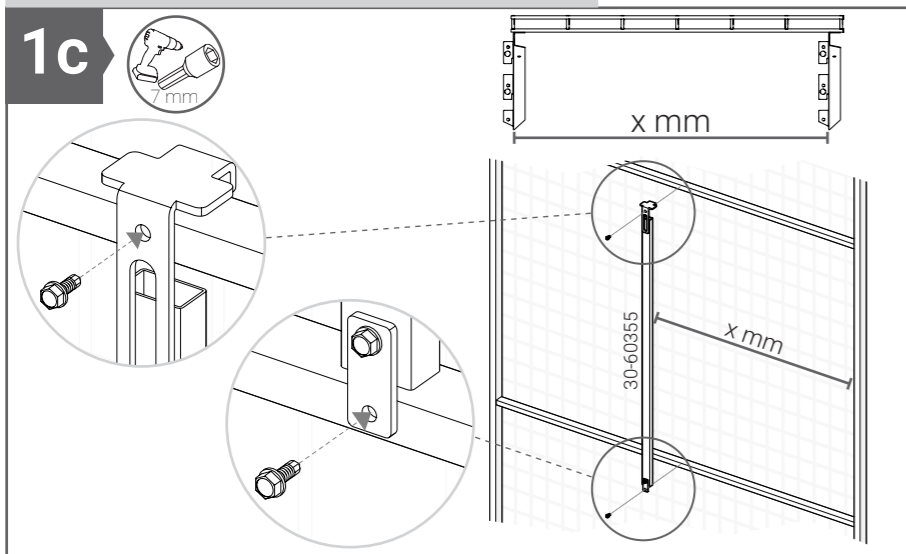
Mounting on panel



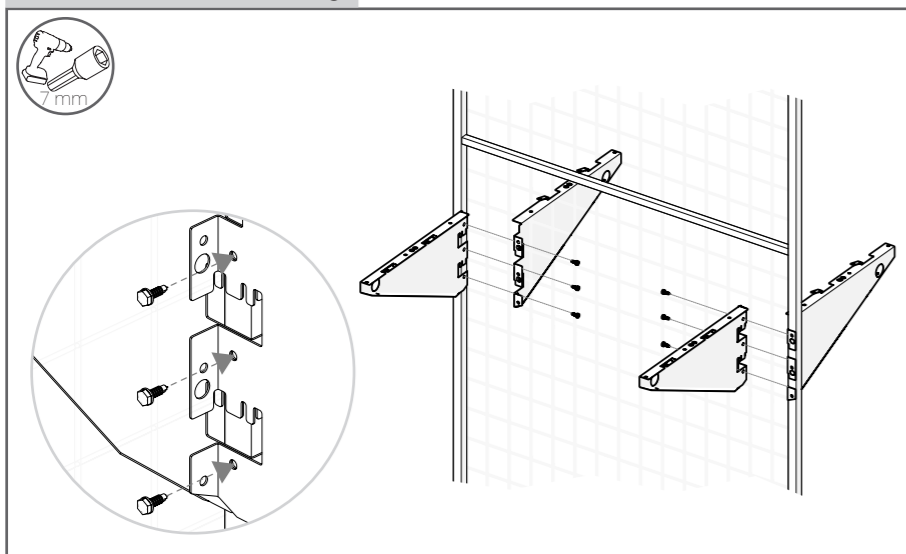
Mounting on wall



Mounting on panel with fitting 30-60355



Double shelf mounting



Rail assembly

