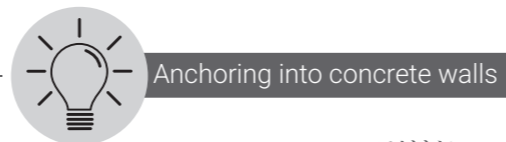
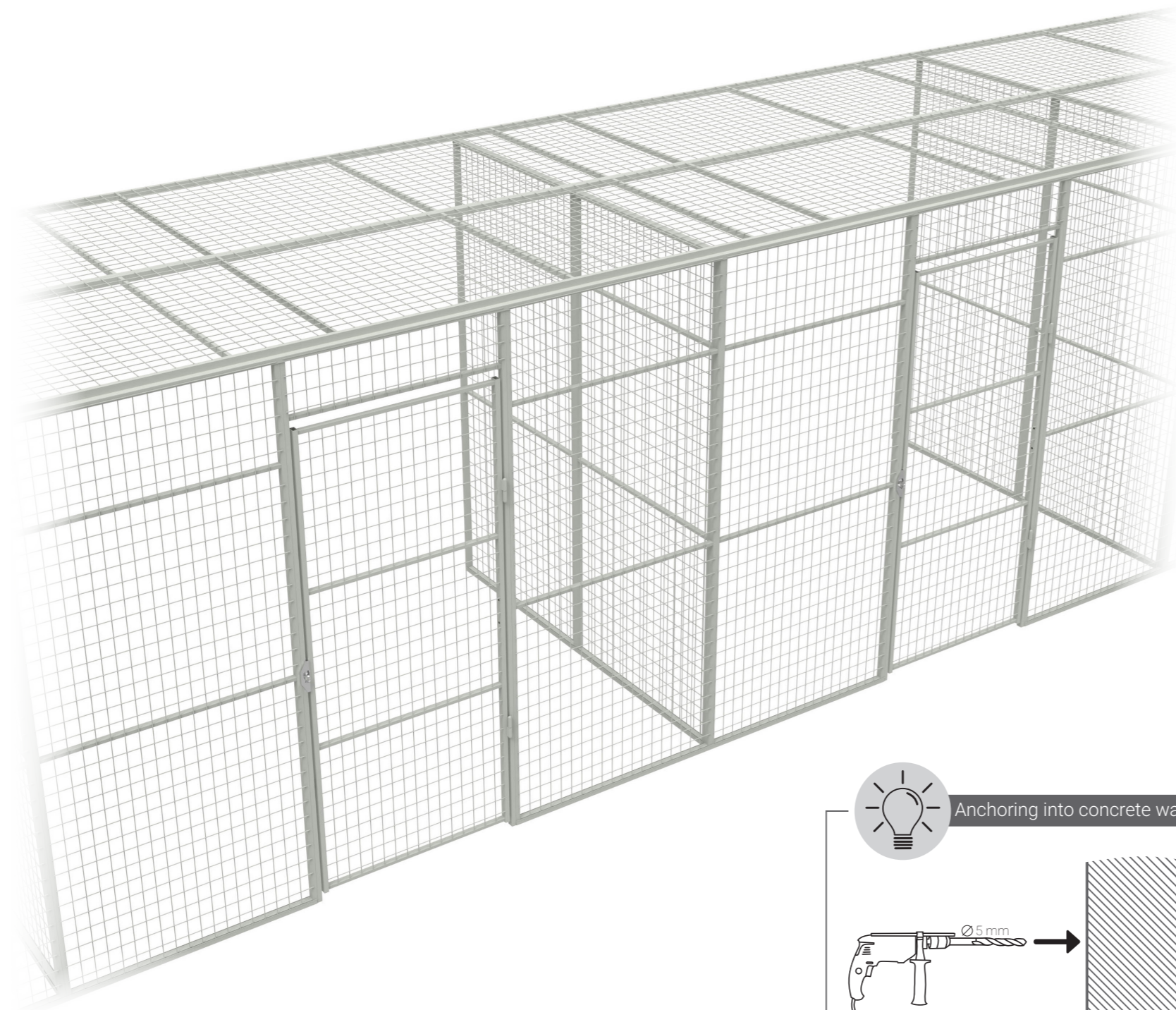
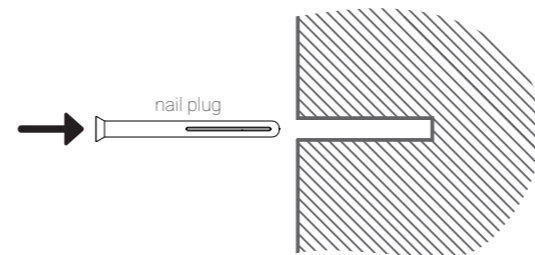
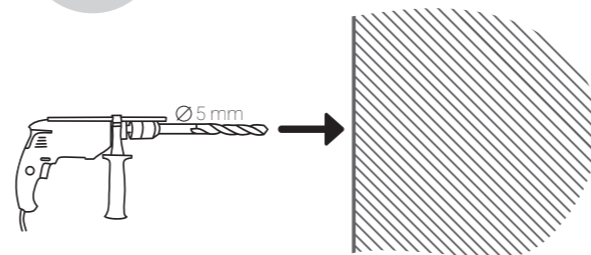


Axelent Storeroom

Roof



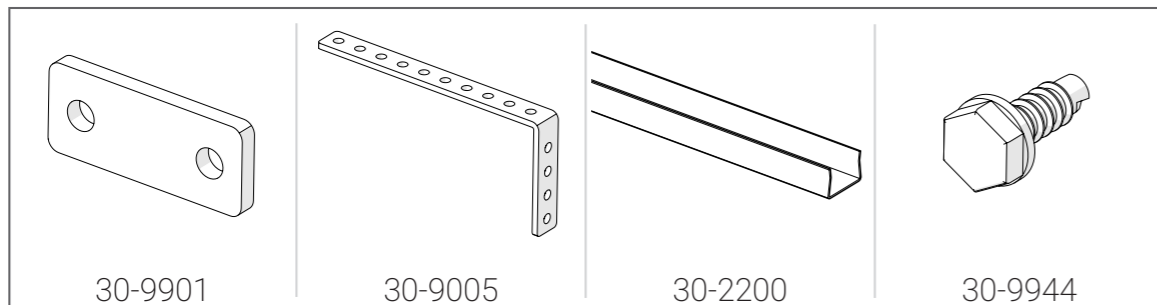
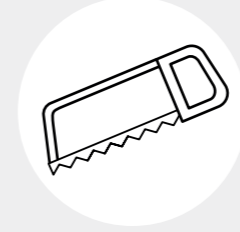
Anchoring into concrete walls



7 mm



5 mm



AXELENT AB

WWW.AXELENT.COM



