

H

G

F

E

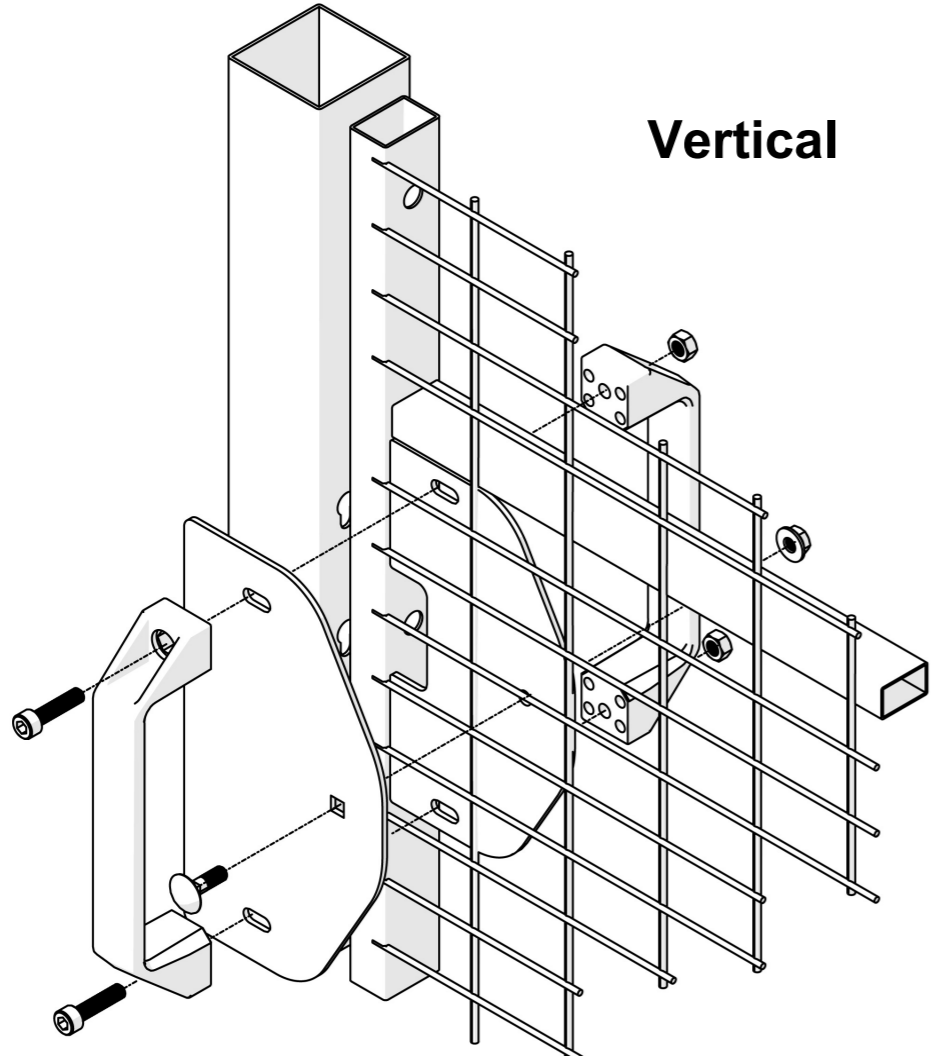
D

C

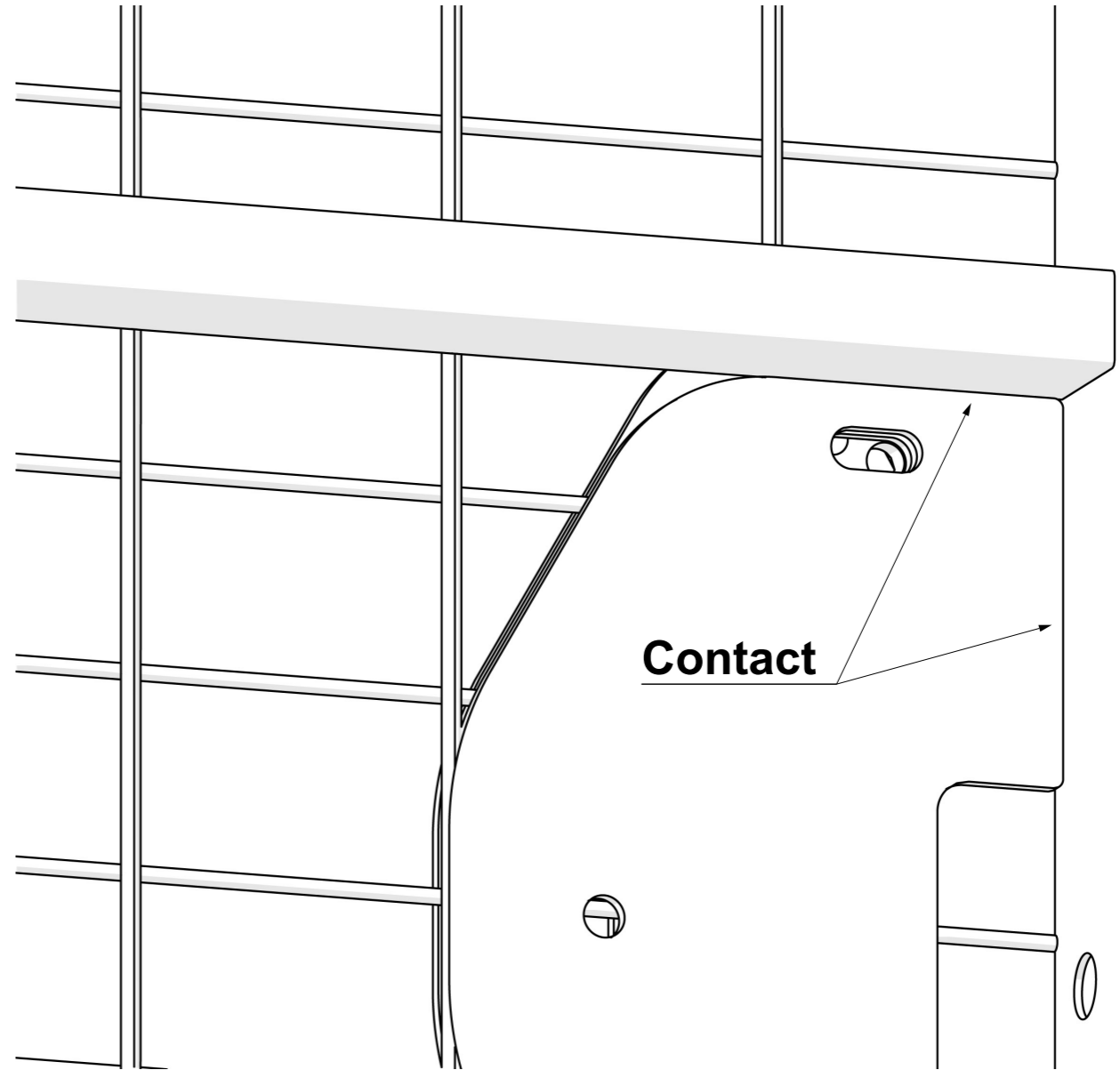
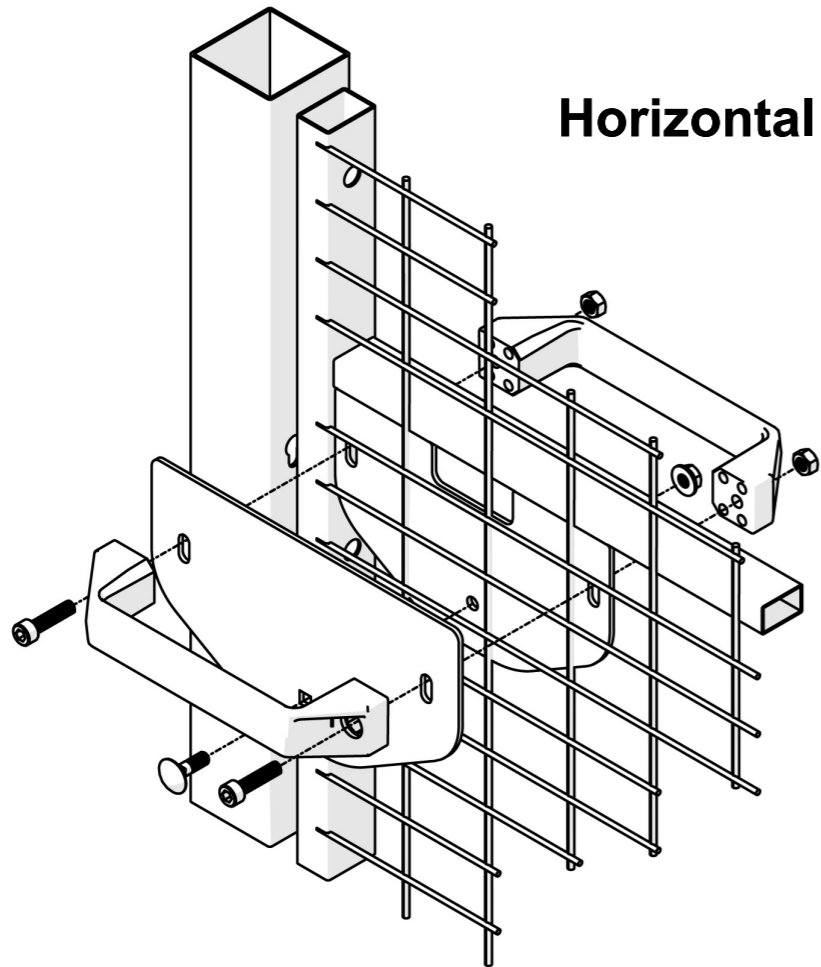
B

A

### Vertical



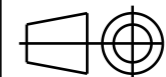
### Horizontal



Contact



Title  
T01-22



Scale  
1:1

Rev.

Date  
2014-12-02

H

G

B

A

4

3

2

1

4

3

2

1