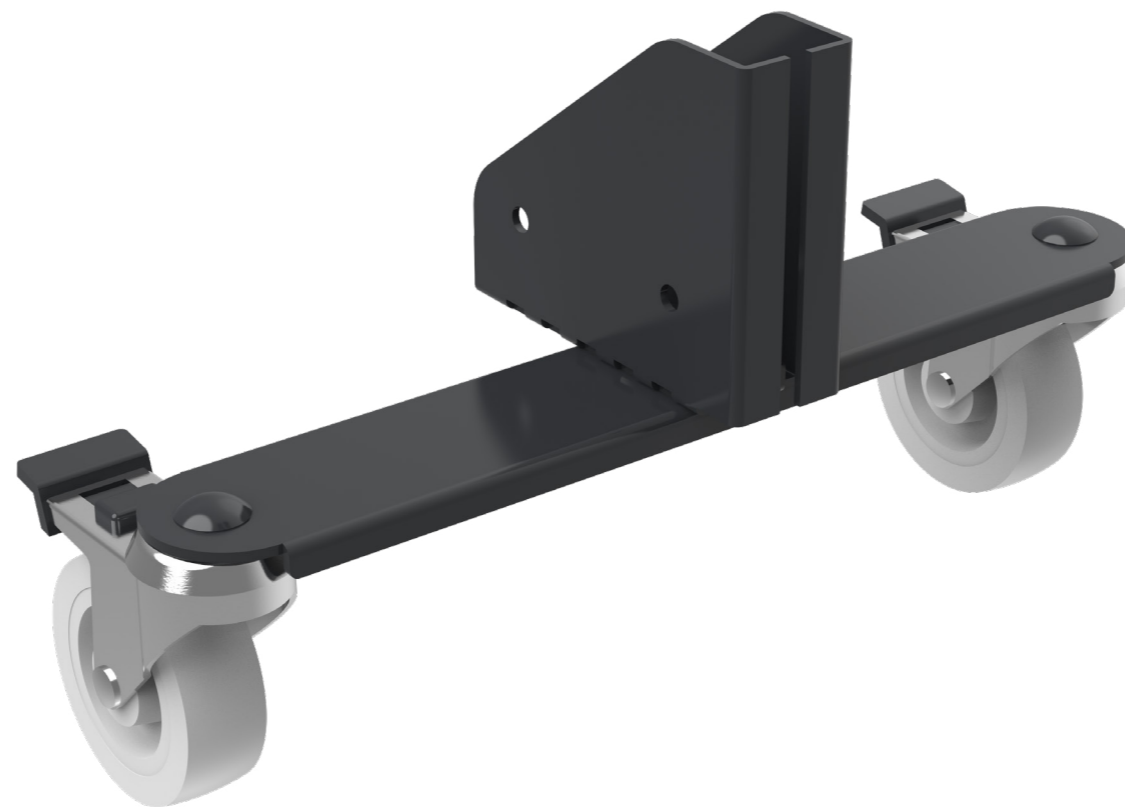


Support Wheel

T01-23 & T01-51



T01-23



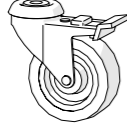
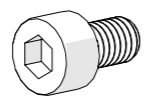

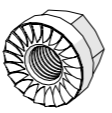
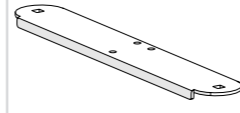
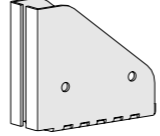
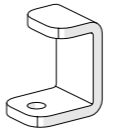


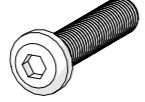
T01-51



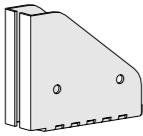
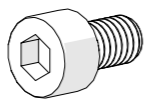
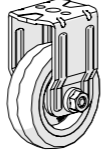

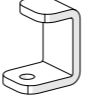
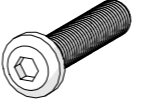

AXELENT AB
WWW.AXELENT.COM

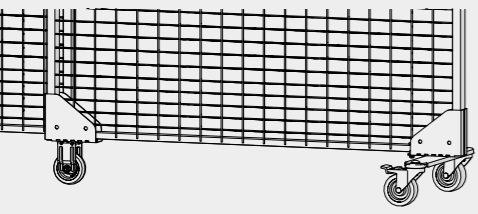


T01-51

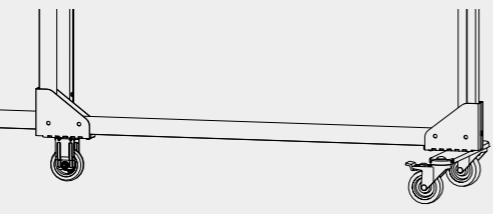
 S-0120-08 x2	 MC6S-M6.10 x3	 MVBF-M8.30 x2	 M6MF-M8 x2	 G2406 x1	 G2164-1 x1	 G2739 x2	 MK6S-M6.10 x2
 MK6S-M6.8 x1	 MK6S-M6.14 x1						

T01-23

 G2164-1 x1	 MC6S-M6.10 x2	 G3025 x1	 MK6S-M6.8 x1	 G2739 x2	 MK6S-M6.14 x1	 MK6S-M6.10 x2
----------------------------------------------------------------------------------------------------	-------------------------------------------------------------------------------------------------------	---------------------------------------------------------------------------------------------------	--------------------------------------------------------------------------------------------------------	----------------------------------------------------------------------------------------------------	---------------------------------------------------------------------------------------------------------	---------------------------------------------------------------------------------------------------------



1 On mesh Panel
P. 3



2 On metal/Plastic Panel
P. 4







