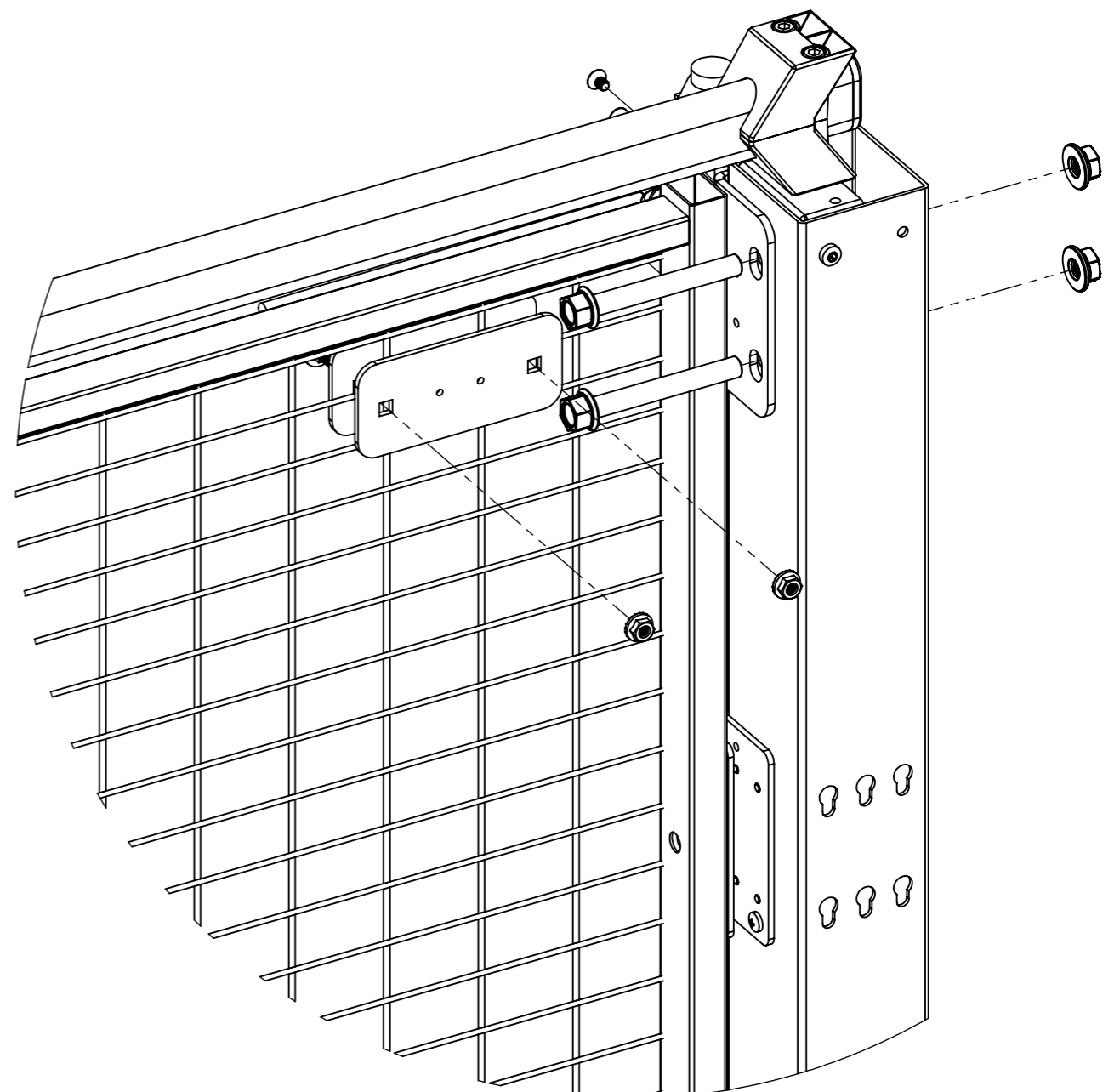
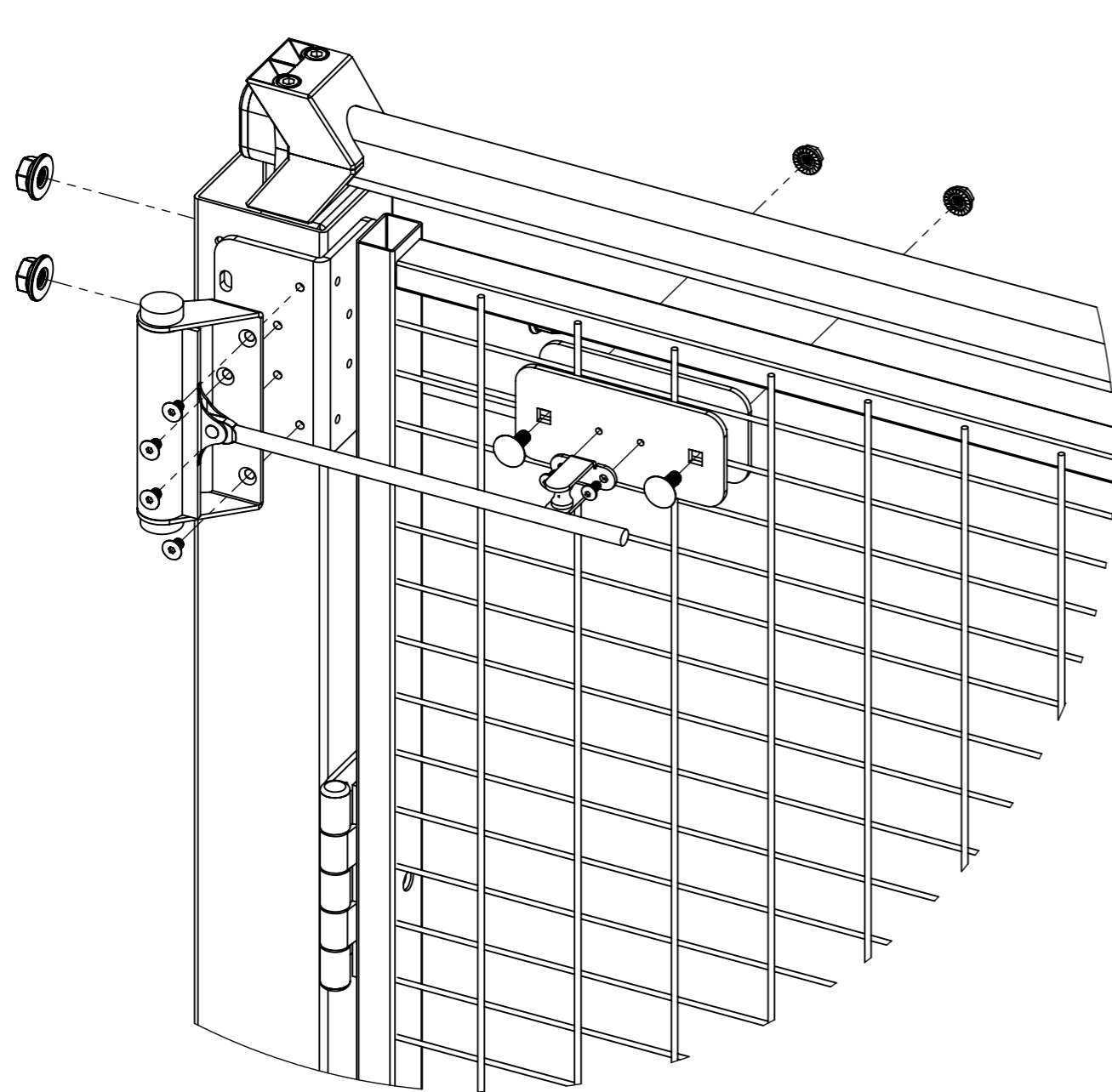


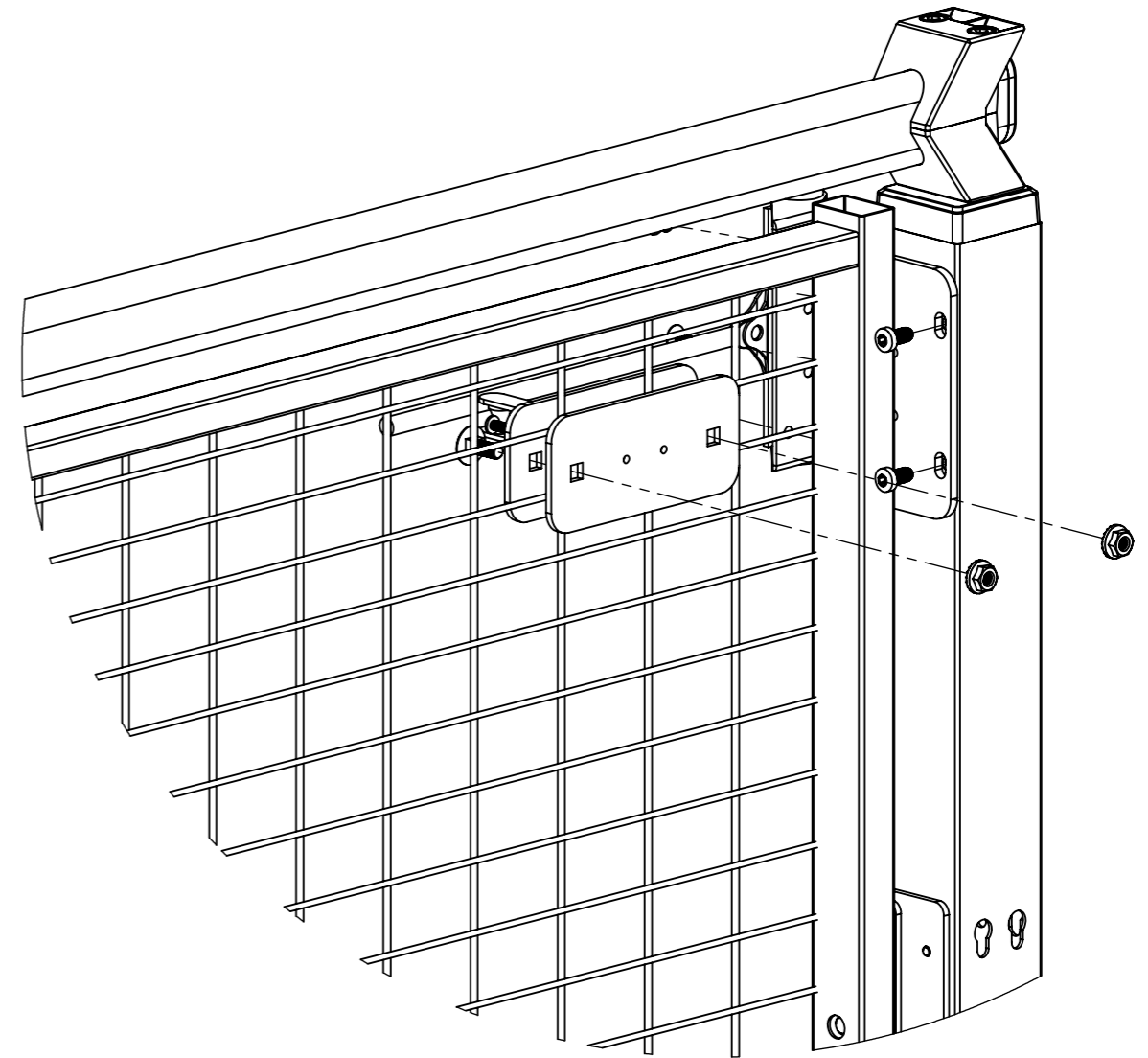
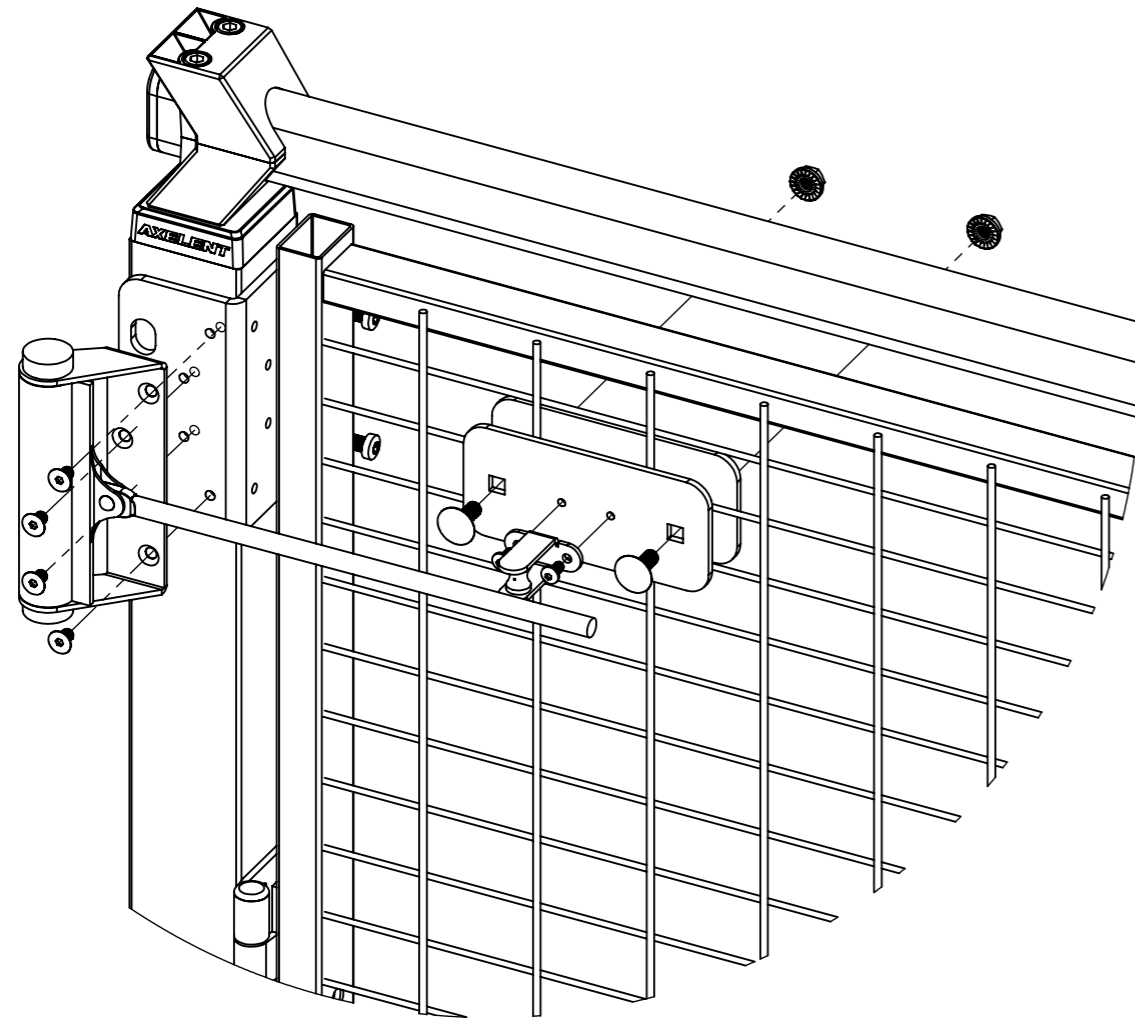
T01-27



Post 70x70



T01-27



Post 50x50

