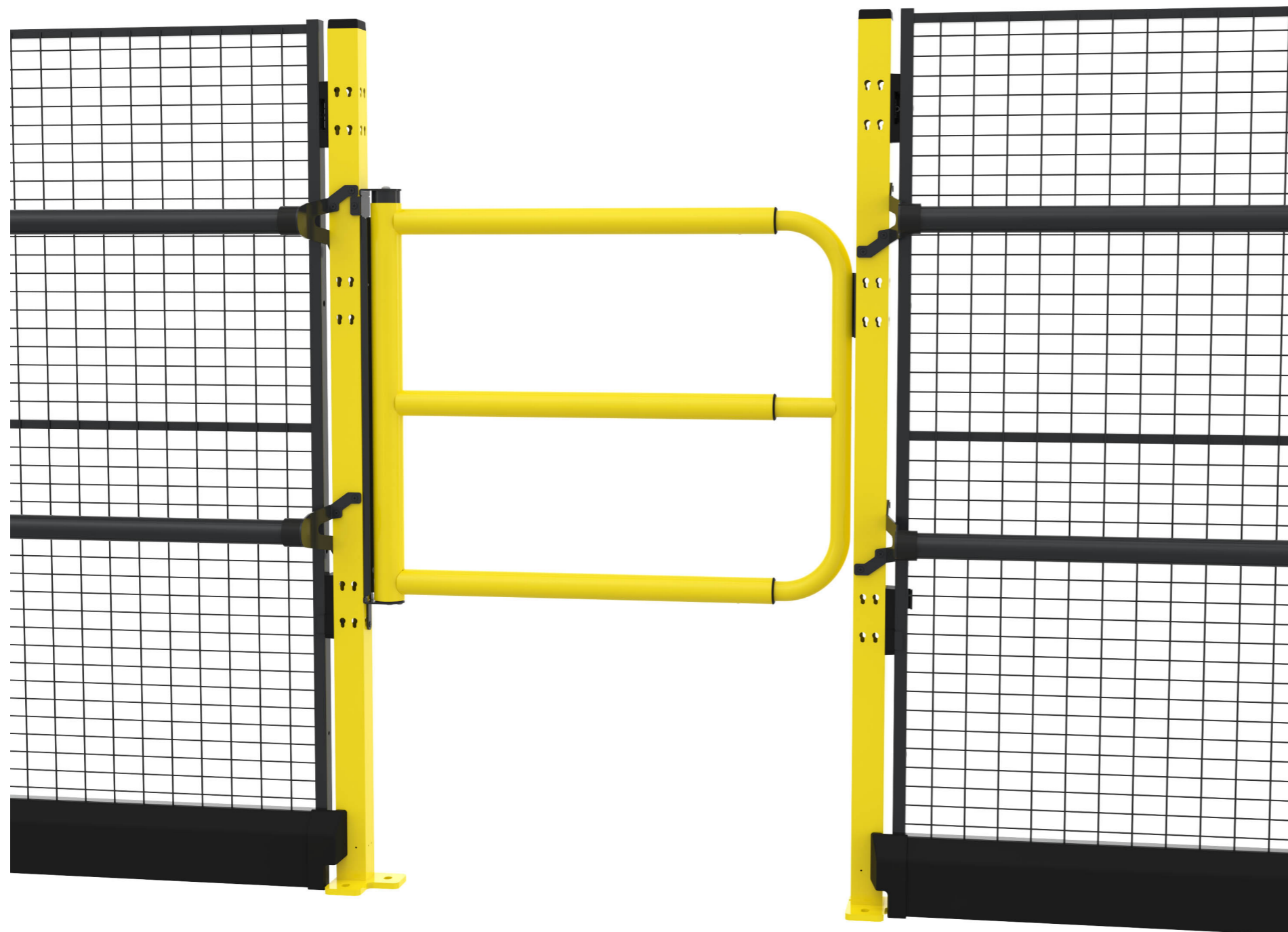
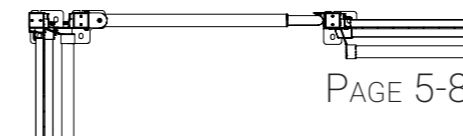
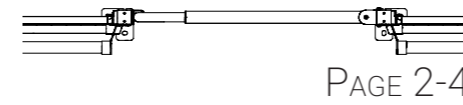


X-Rail

Swing gate, self-closing

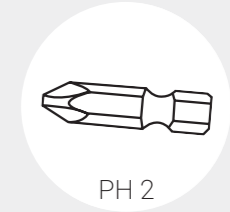
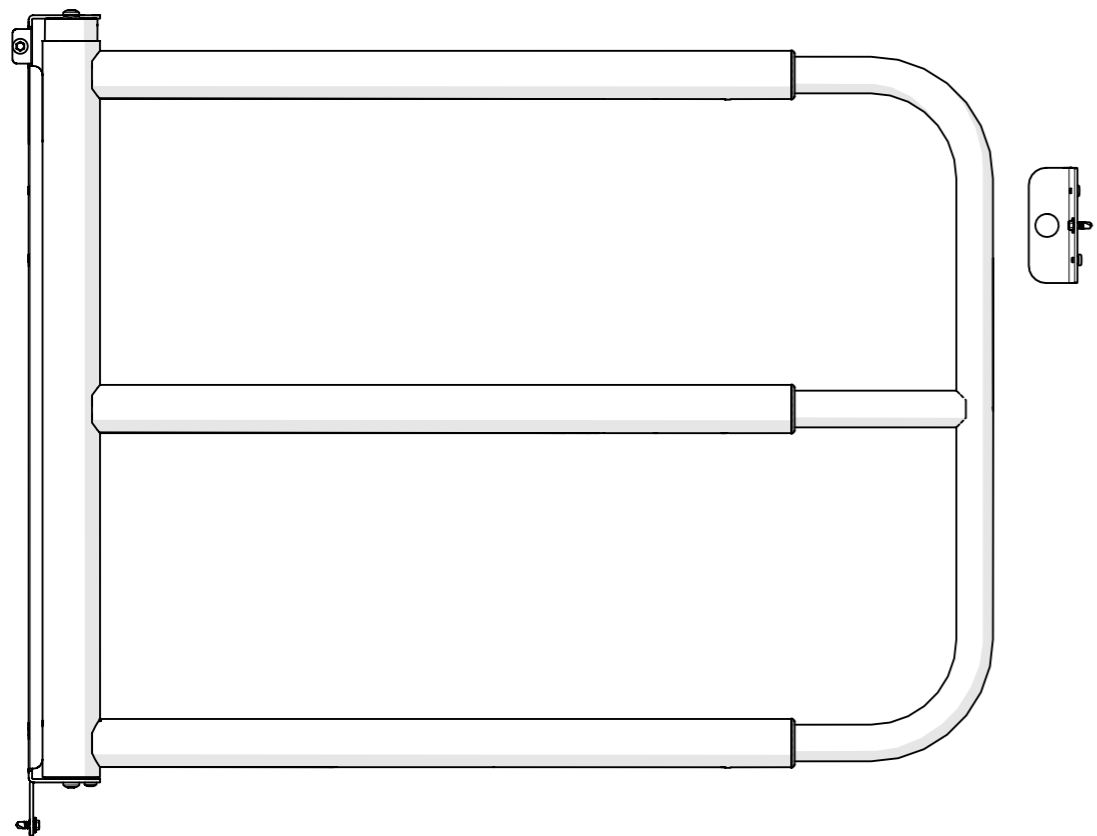


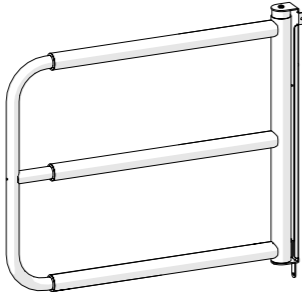

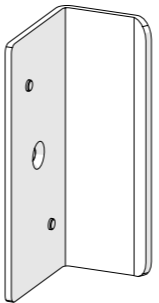


AXELENT AB

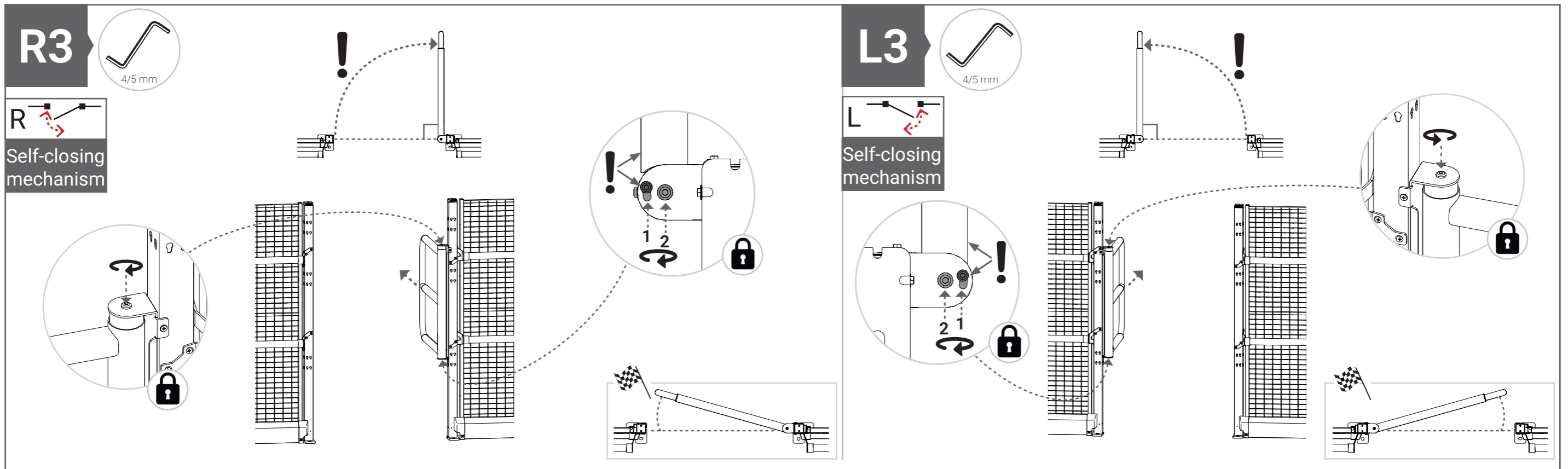
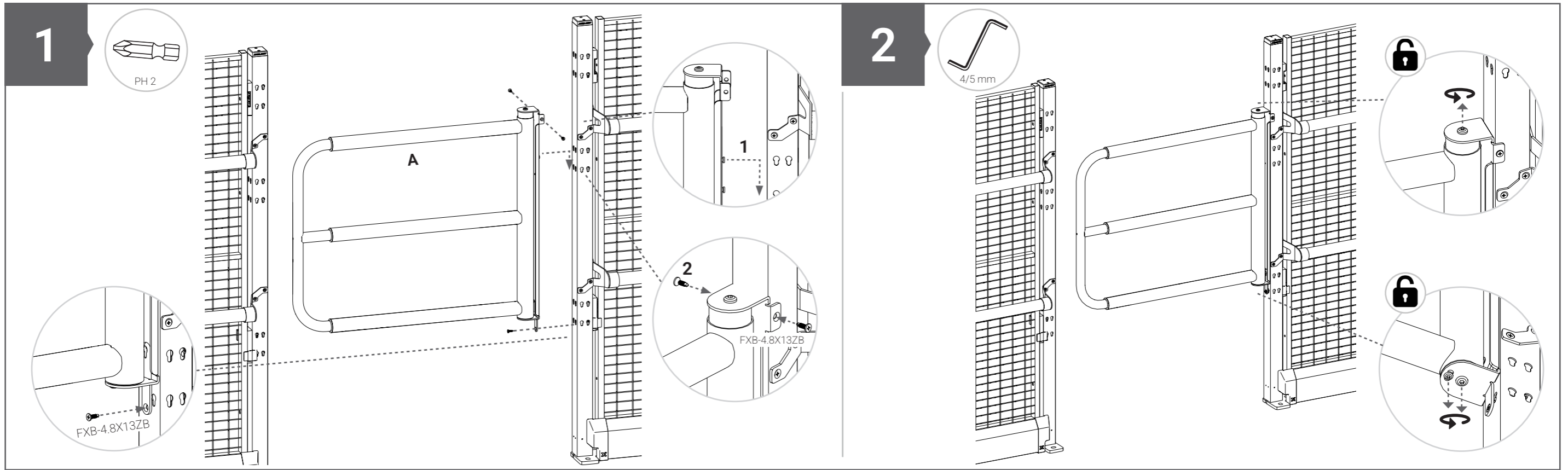
WWW.AXELENT.COM

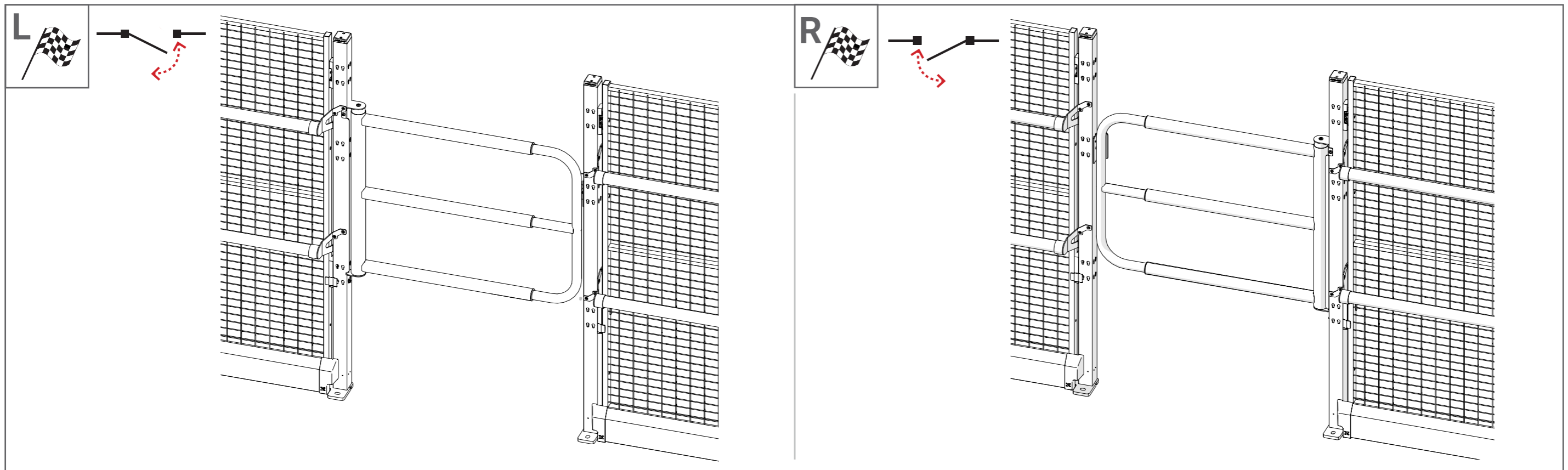
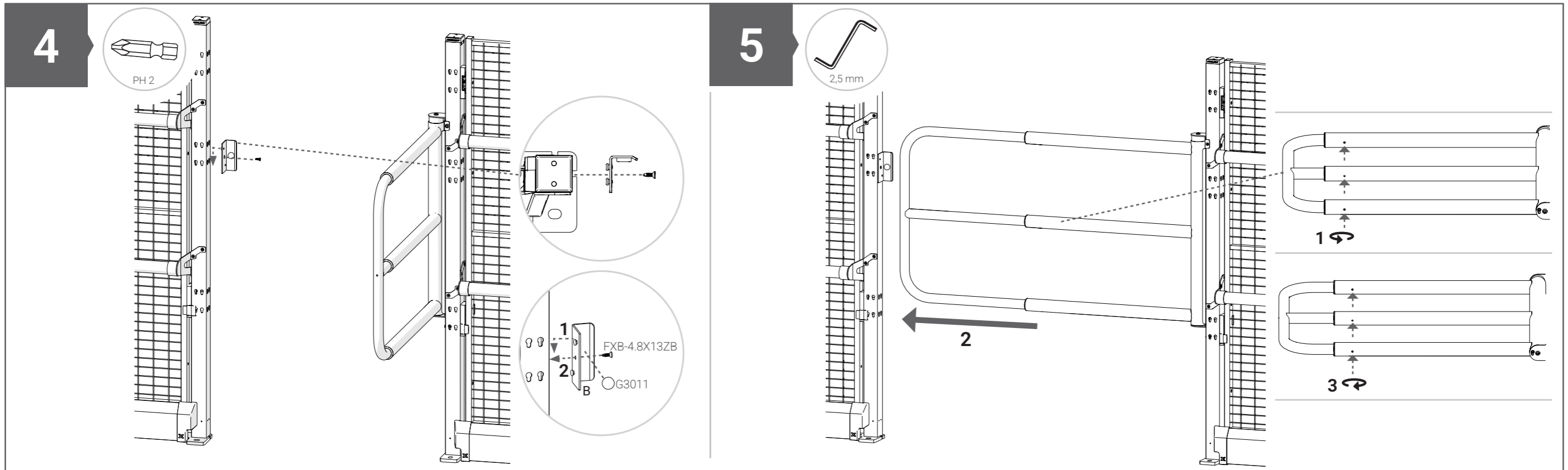


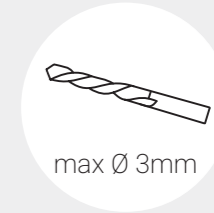
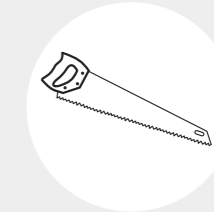
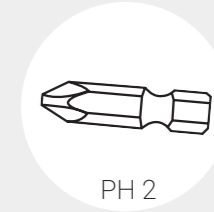
T01-50



<p>T01-49</p> <p>Swing Gate</p>	 <p>A</p>	<p>X1</p>	 <p>FXB-4.8X13ZB</p>	<p>X3</p>	<p>G3071</p>	 <p>B</p>	<p>X1</p>	 <p>G3011</p>	<p>X1</p>	 <p>FXB-4.8X13ZB</p>	<p>X1</p>







B00-103
Handrail end bracket

G2532 X1

FXB-4.8X13ZB X4

T09-3-14007
T09-3-23007
Infill Piece

G2462-140-3 X1
G2462-230-3

B00-015

G2035-1 X2

G2032 X2

T00-04

A X4

G2032 X2

G2035 X4

