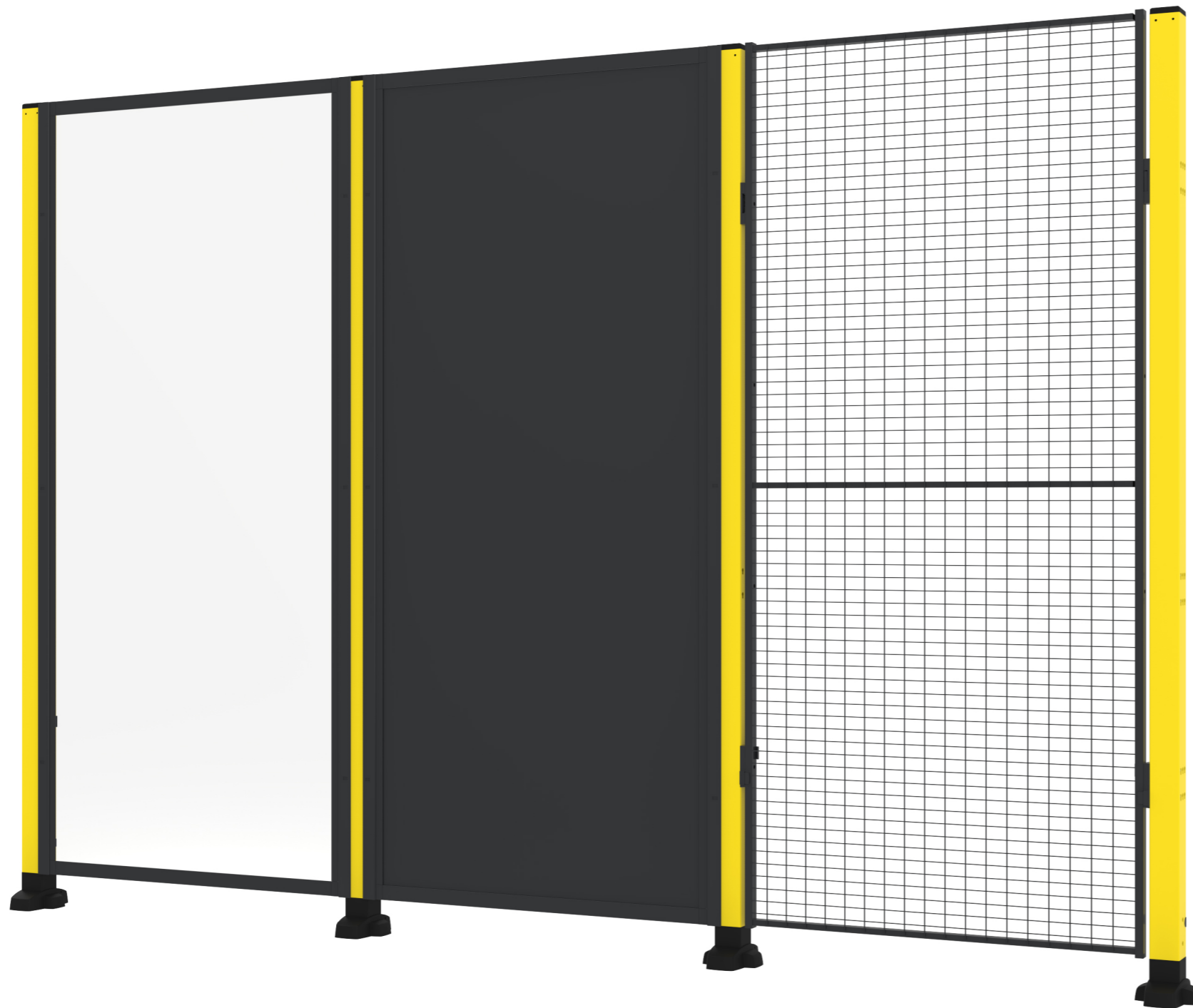


X-Guard

Premium, 70x70 post

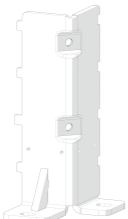
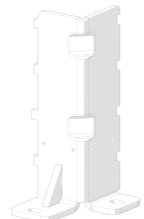
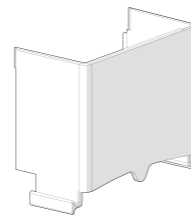
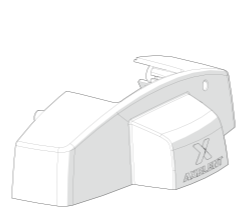
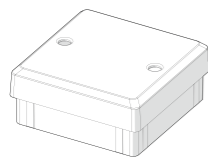
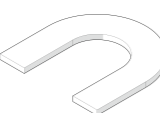
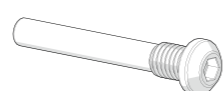



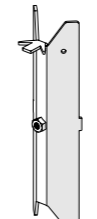
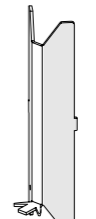
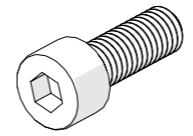
AXELENT AB

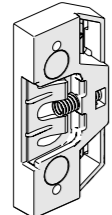
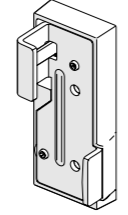
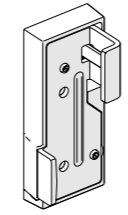
WWW.AXELENT.COM



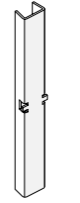
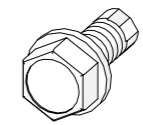
Included with PX3-XXX

F33-010-2	 G2287 x1	 G2286 x1	B00-050	 G2606 x2	 G2605 x2
	 G2070 x1	 10-9942 x2		 G2288 x2	 10-9932 x4

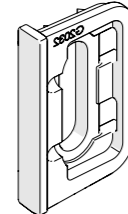
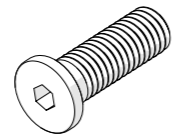
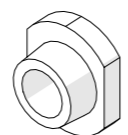

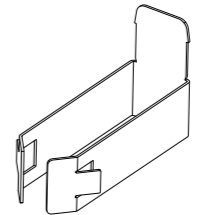
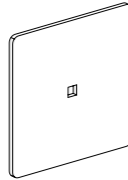
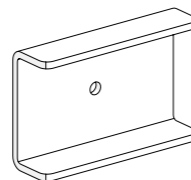
B00-042	 G2267 x1	 G2266 x1
	 MC6S-M8.22ZP x1	

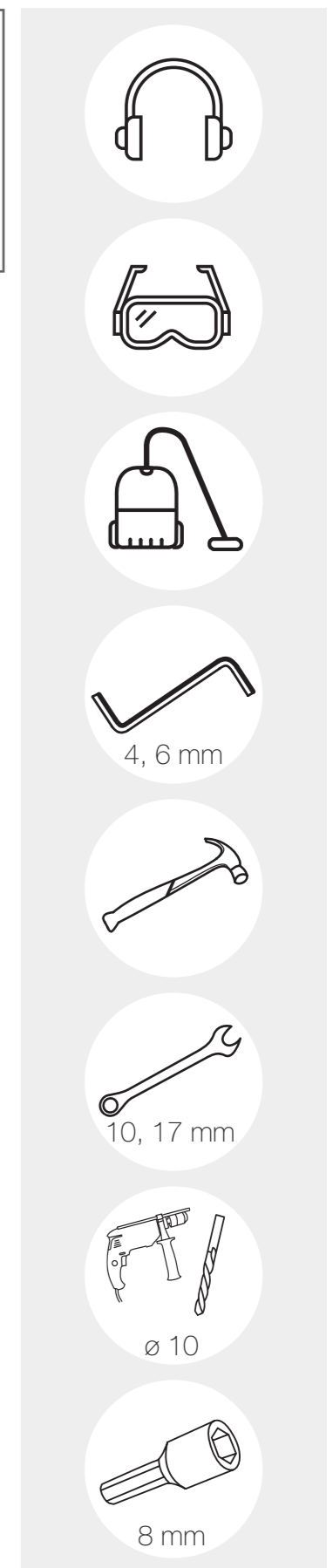
T00-01	 G2036 x2	 G2240H x1	 G2240V x1
---------------	---	--	--

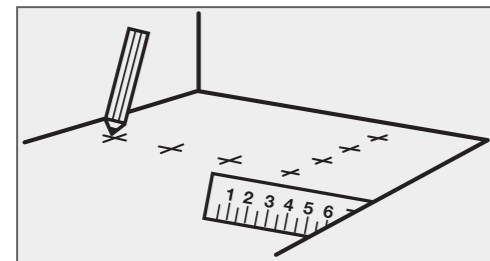
Mesh panels

B00-010	 G2426 x2	 30-9901 x8
----------------	---	---

Sheet metal and plastic panels

B00-073	 G2032 x2	 G2035 x2	 G2049-1 x2	T11-3-XXX04	 G2422-3-XXXX x2	B00-075/ B00-076	 G2423 x4/x6
	B00-104	 G2552 x2	 G2553 x2				





1 Preparation
P. 4



2A

P. 6



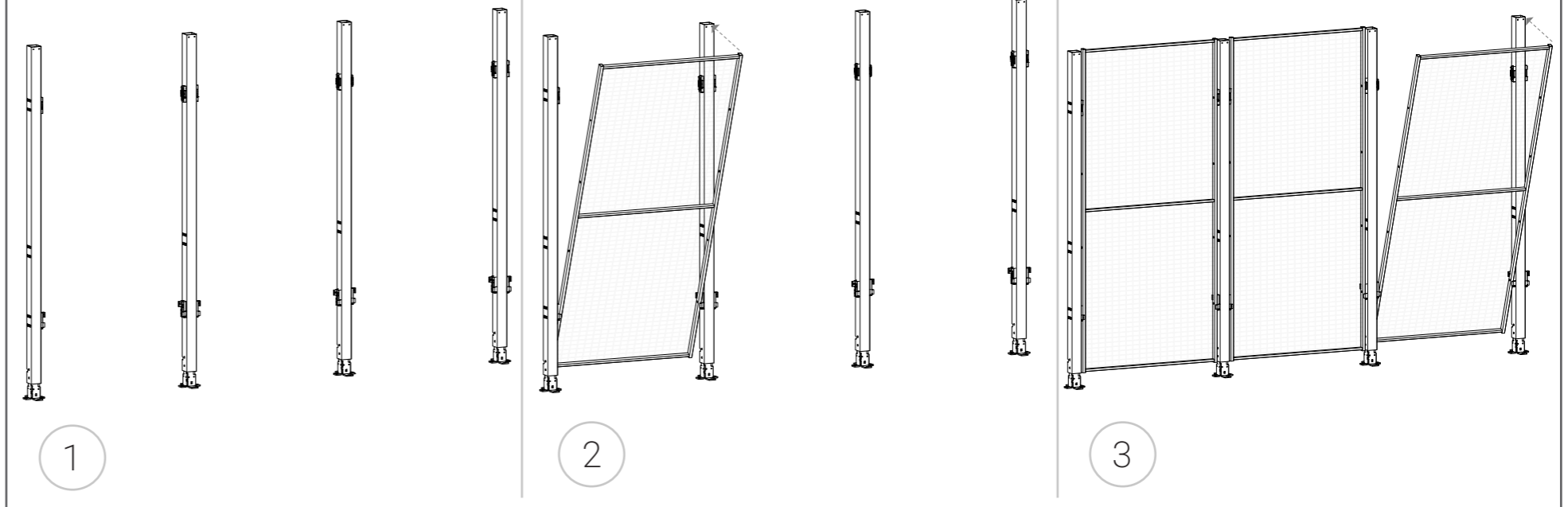
2B

P. 8

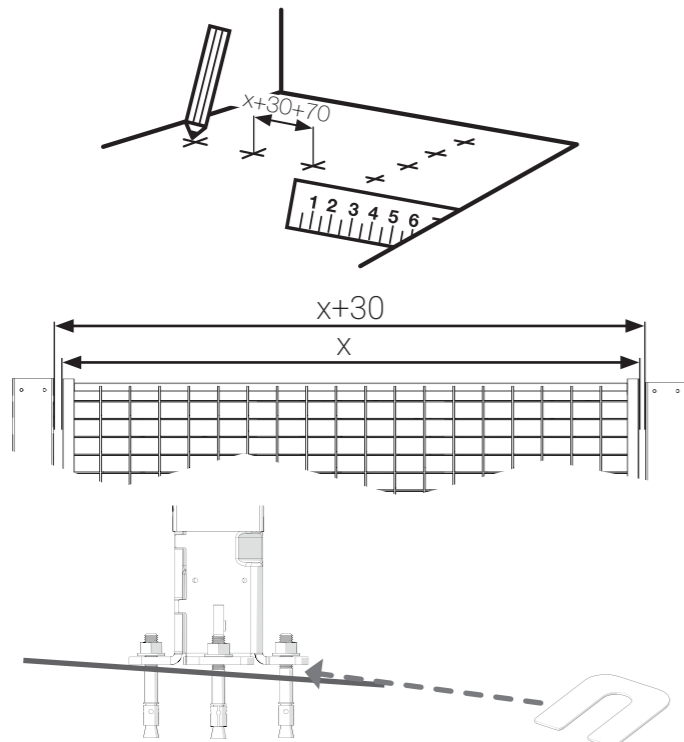
3 Extended Height
P. 11



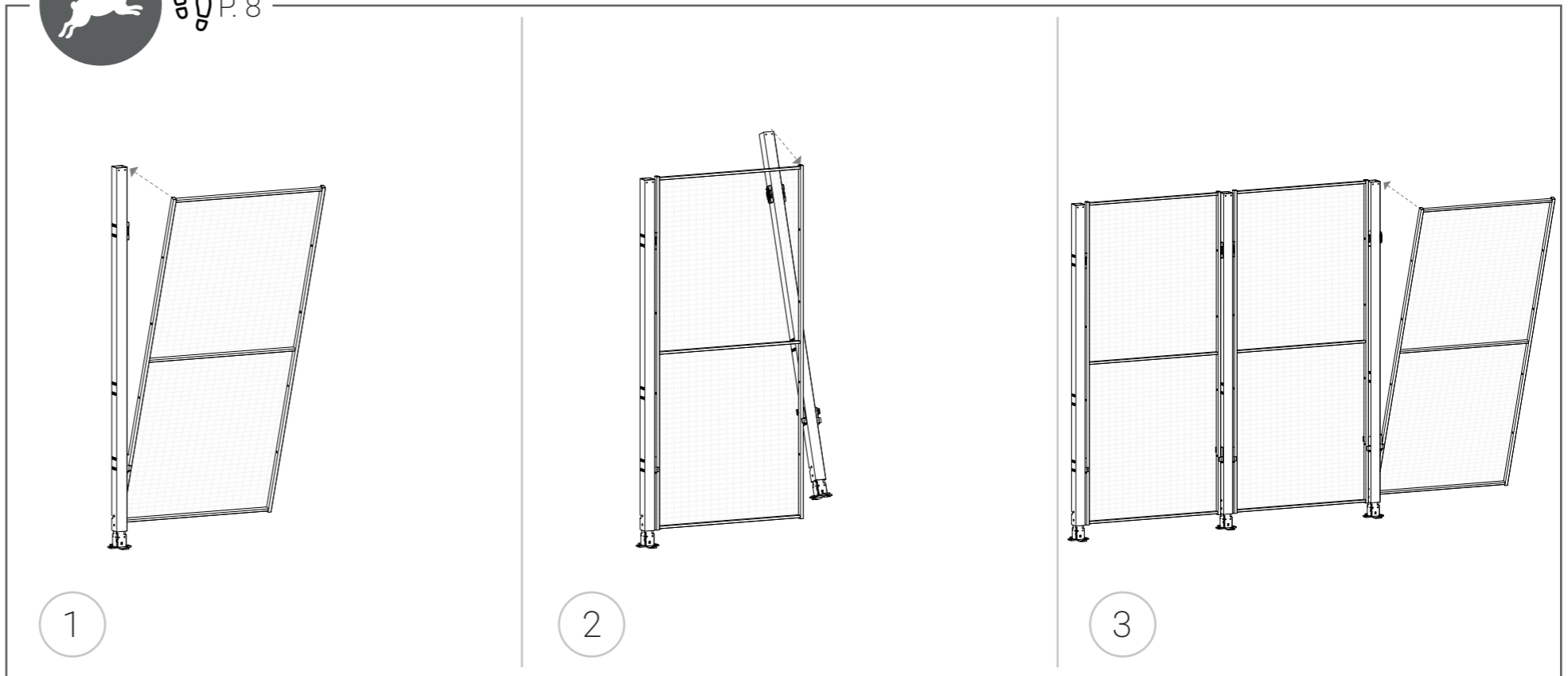
P. 6



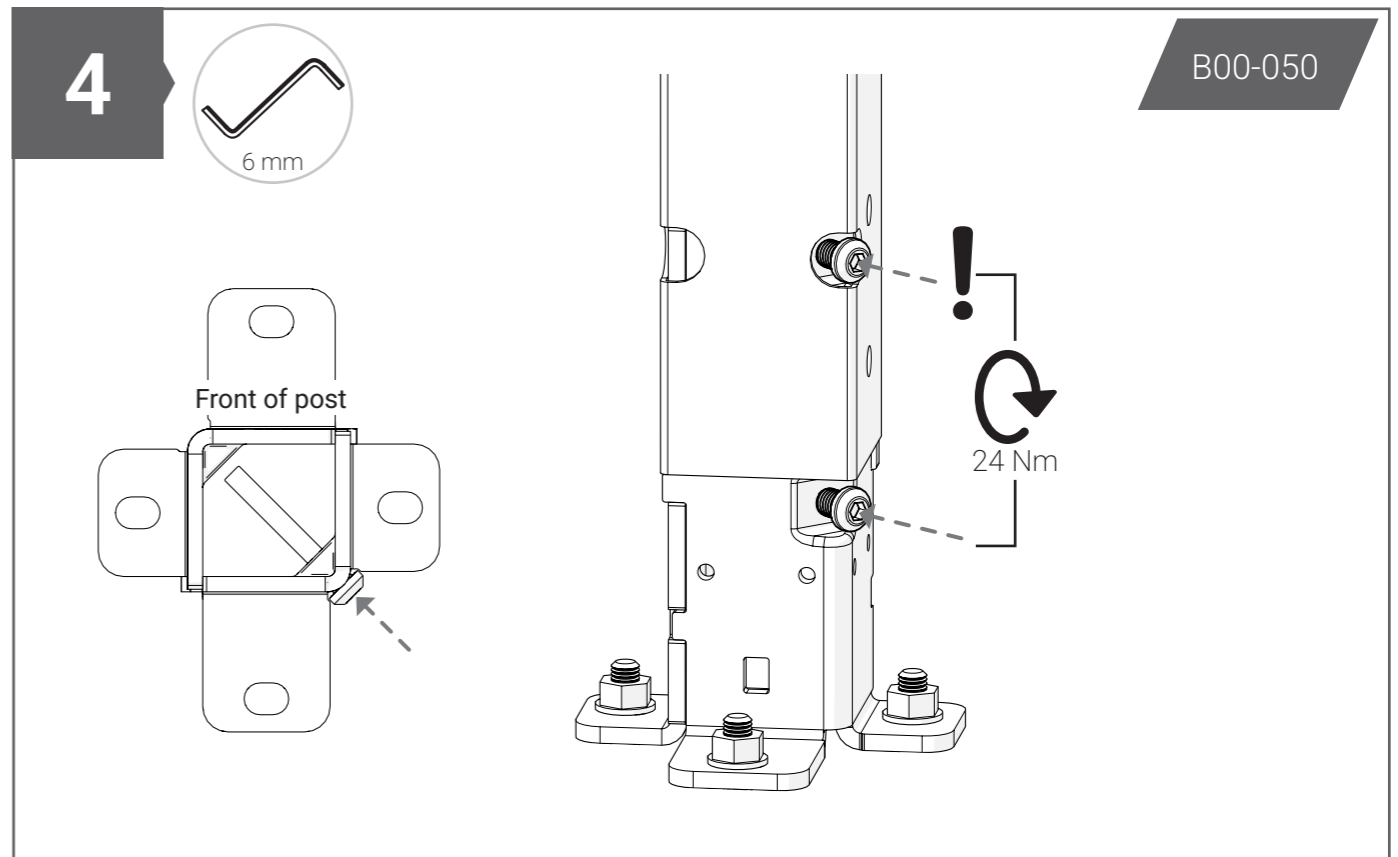
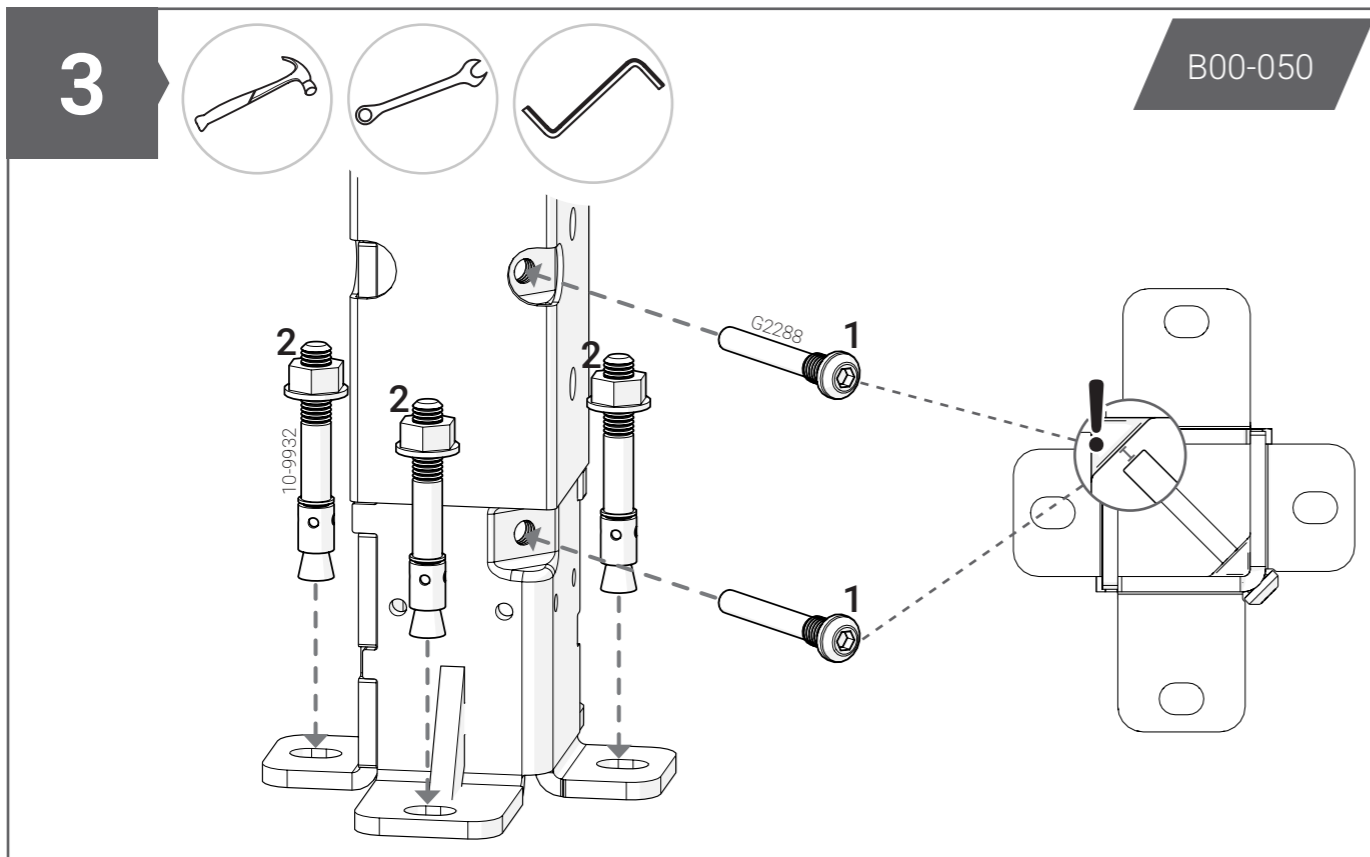
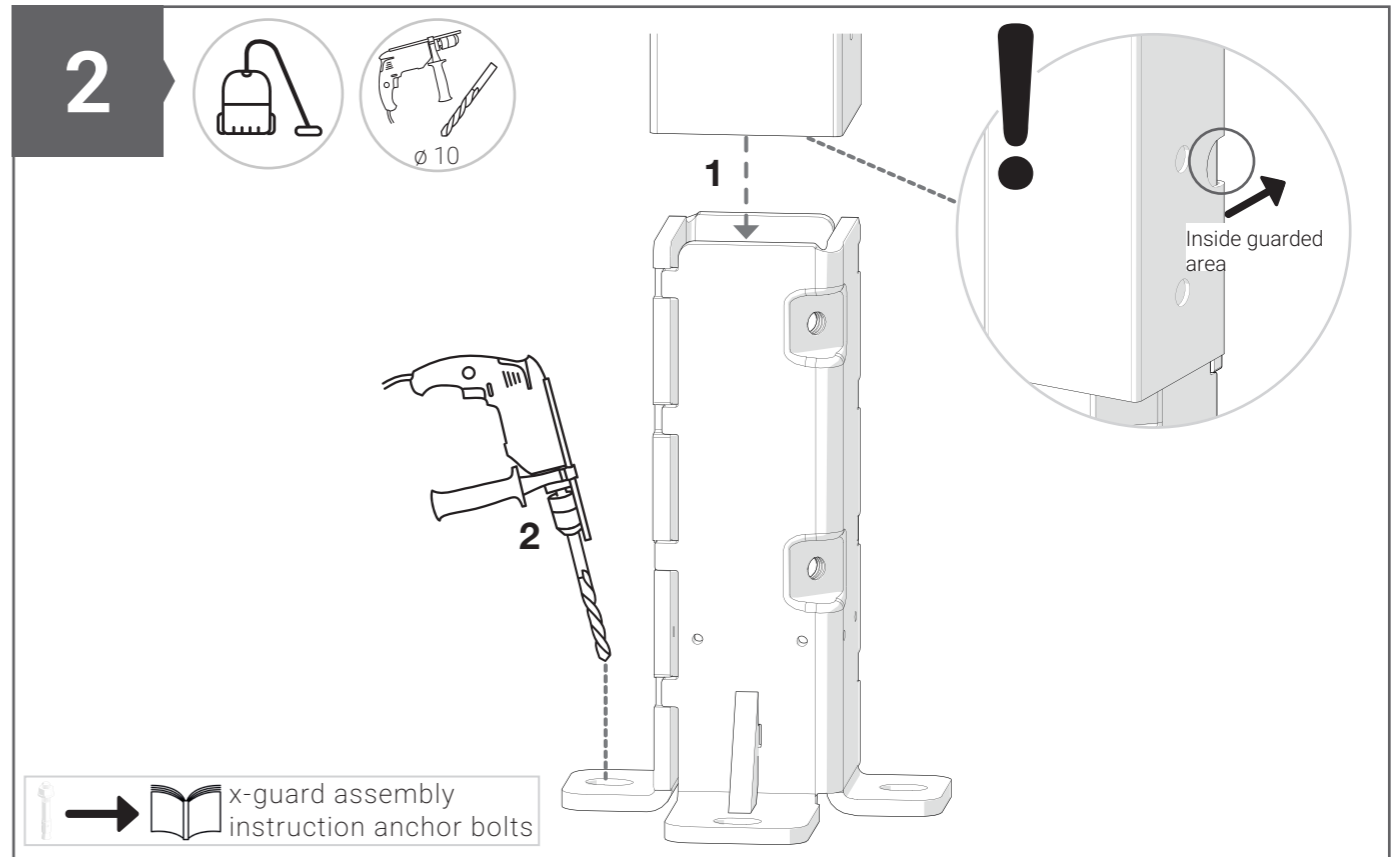
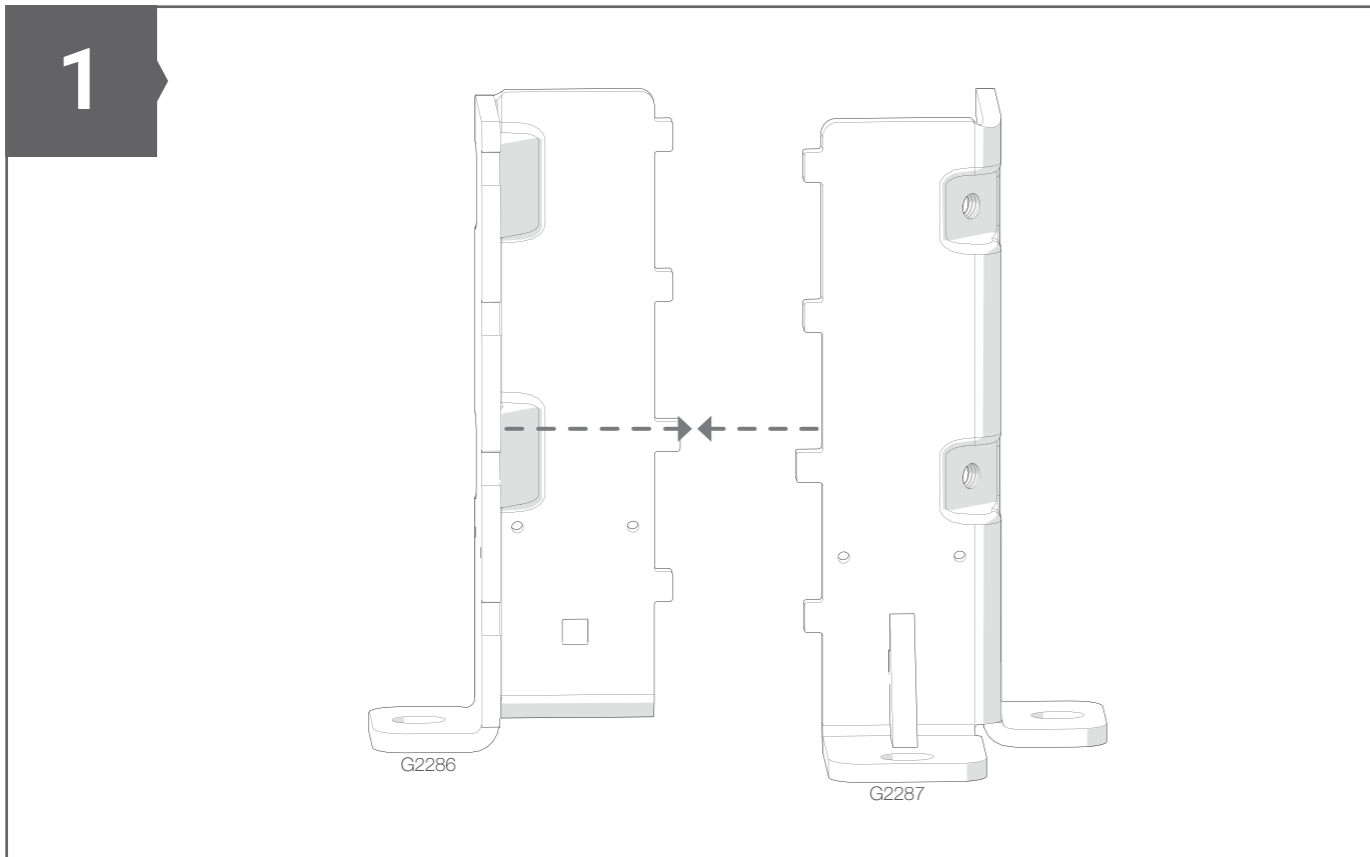
x-guard assembly instruction
anchor bolts



P. 8



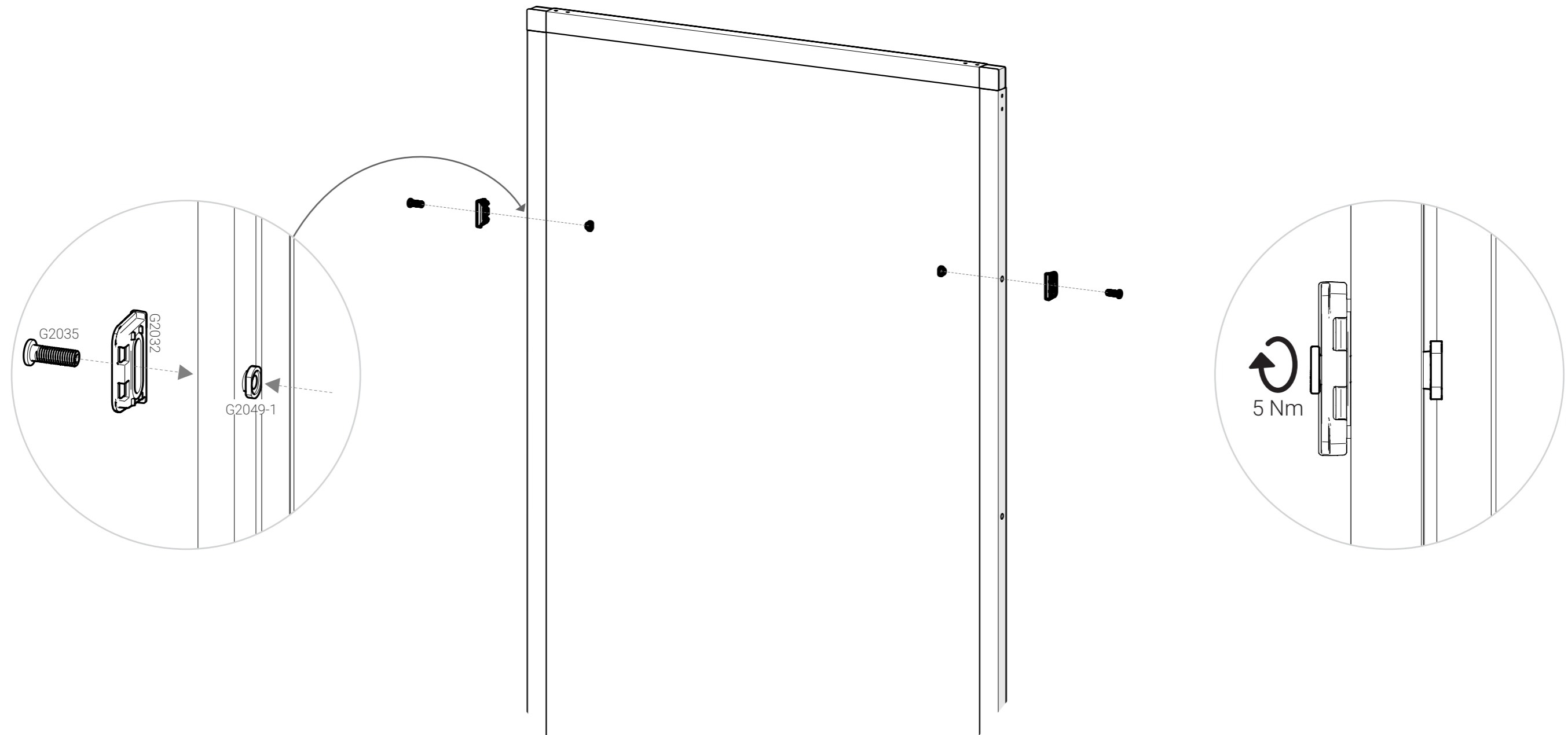
1 Preparation

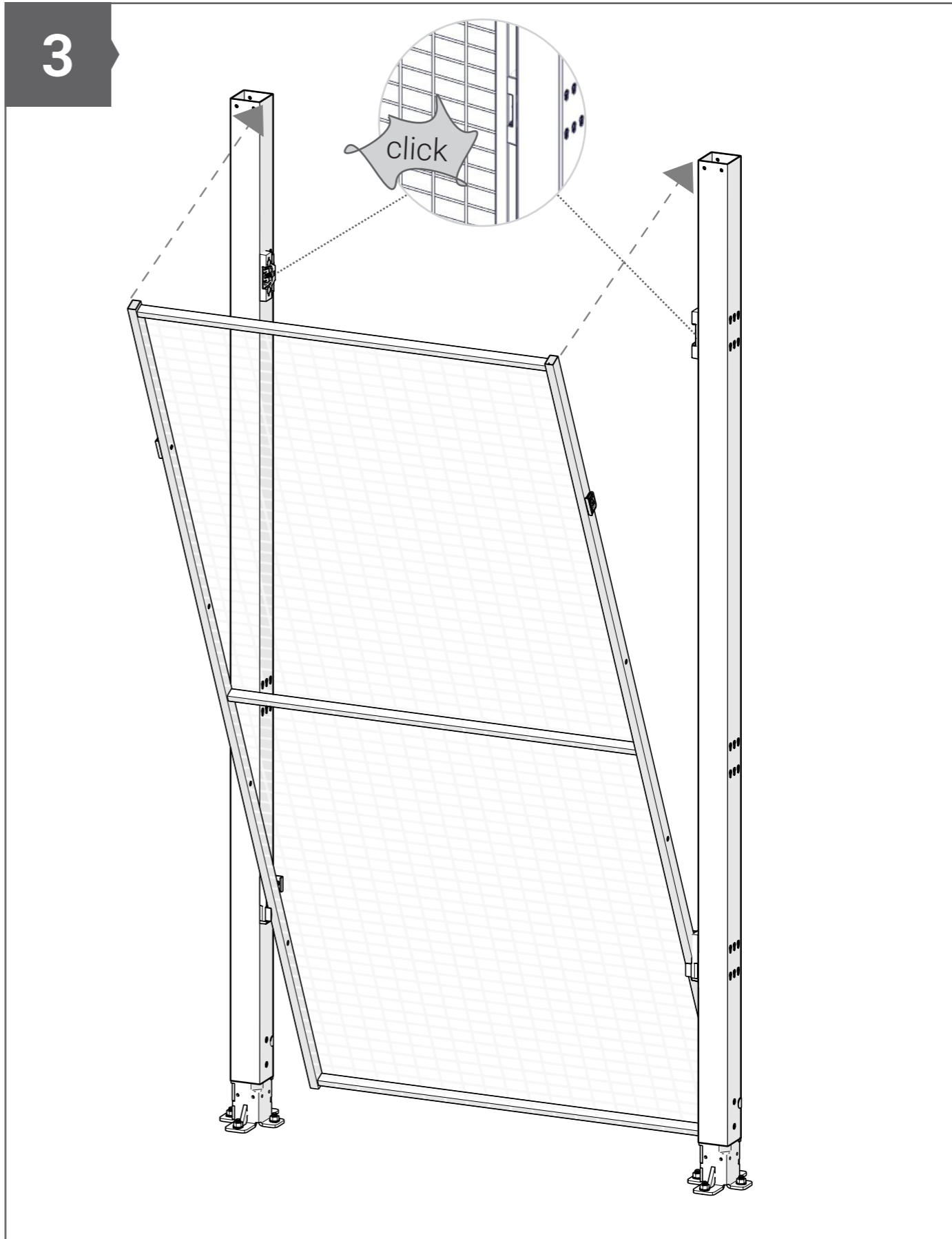
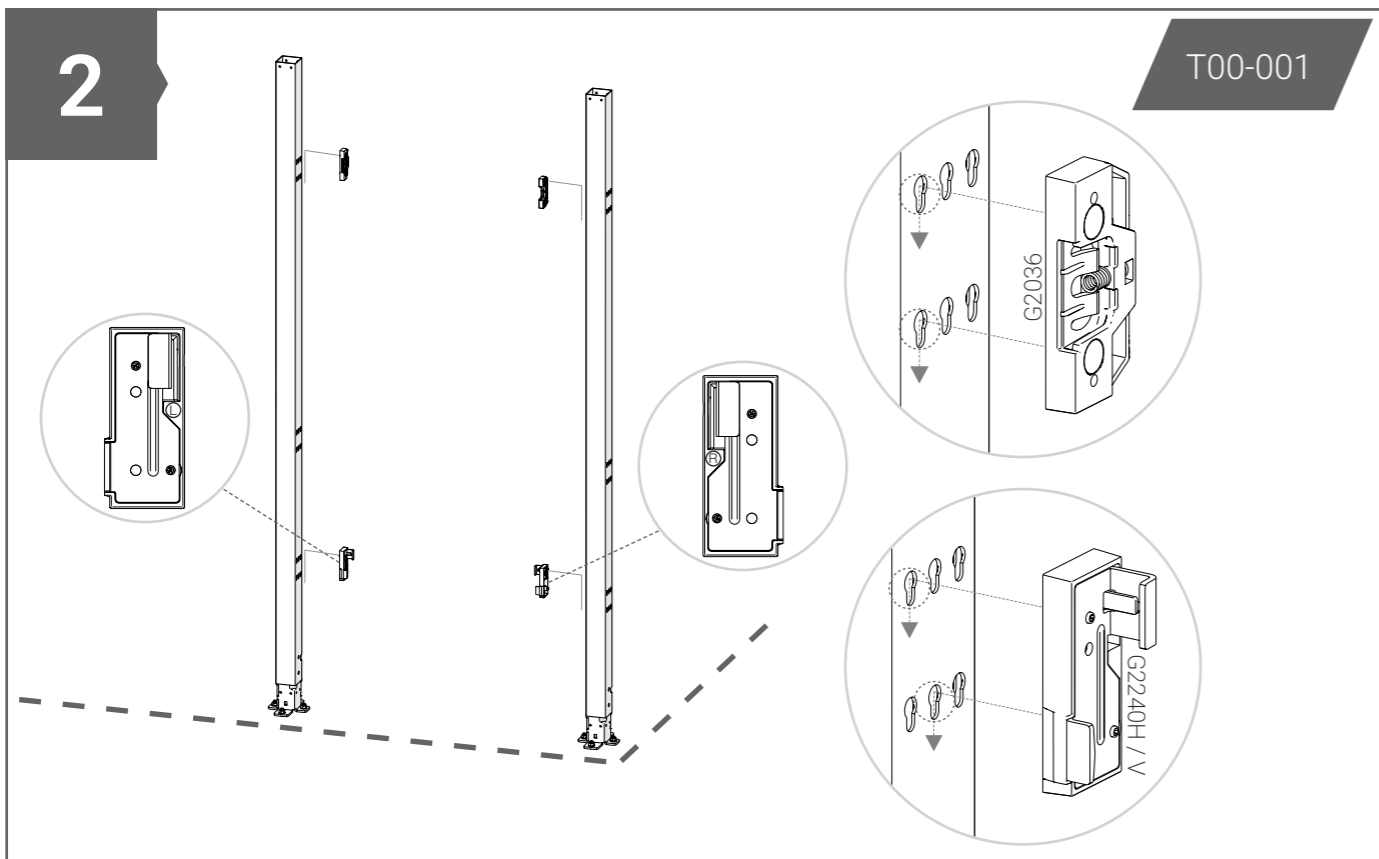
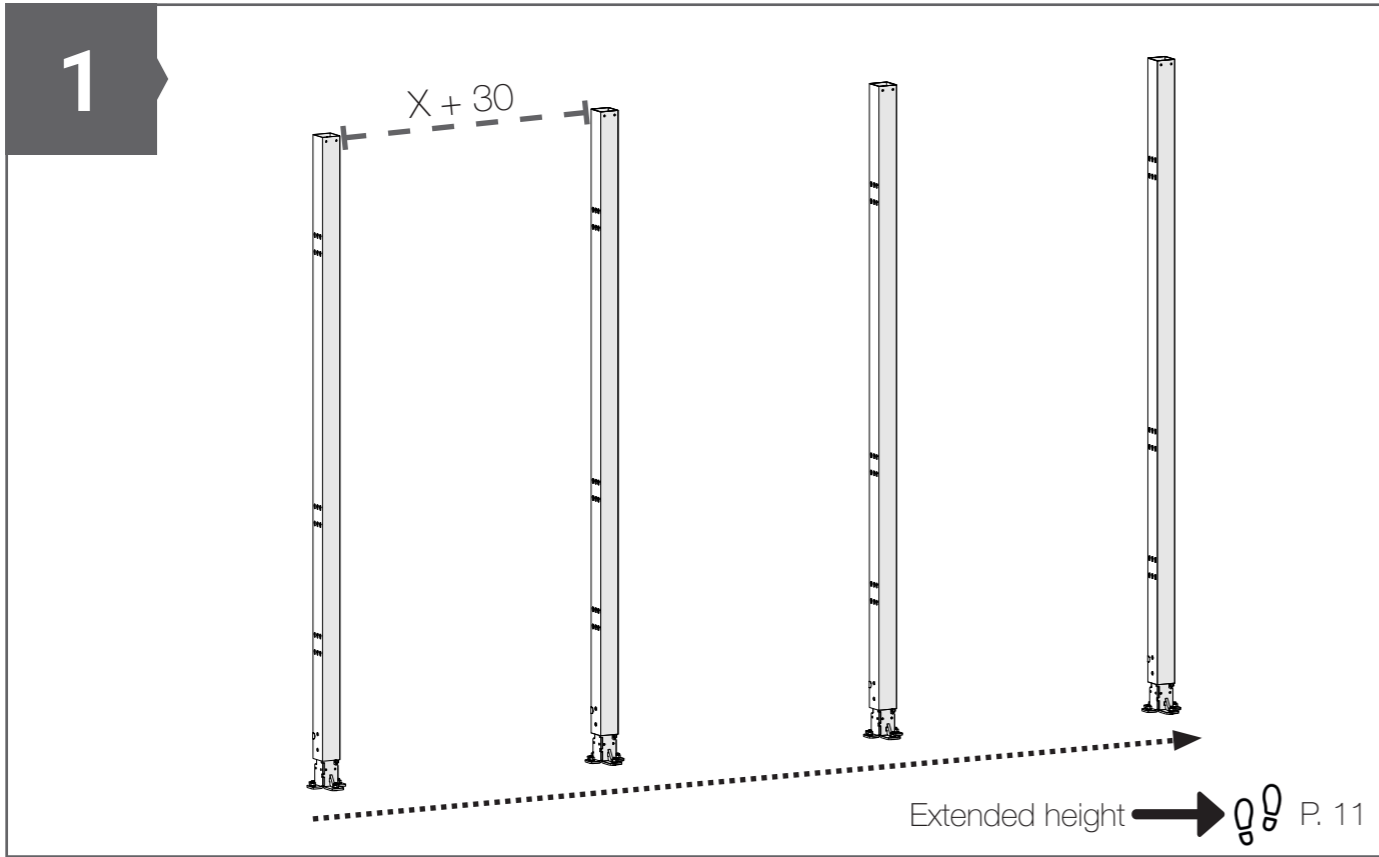


5

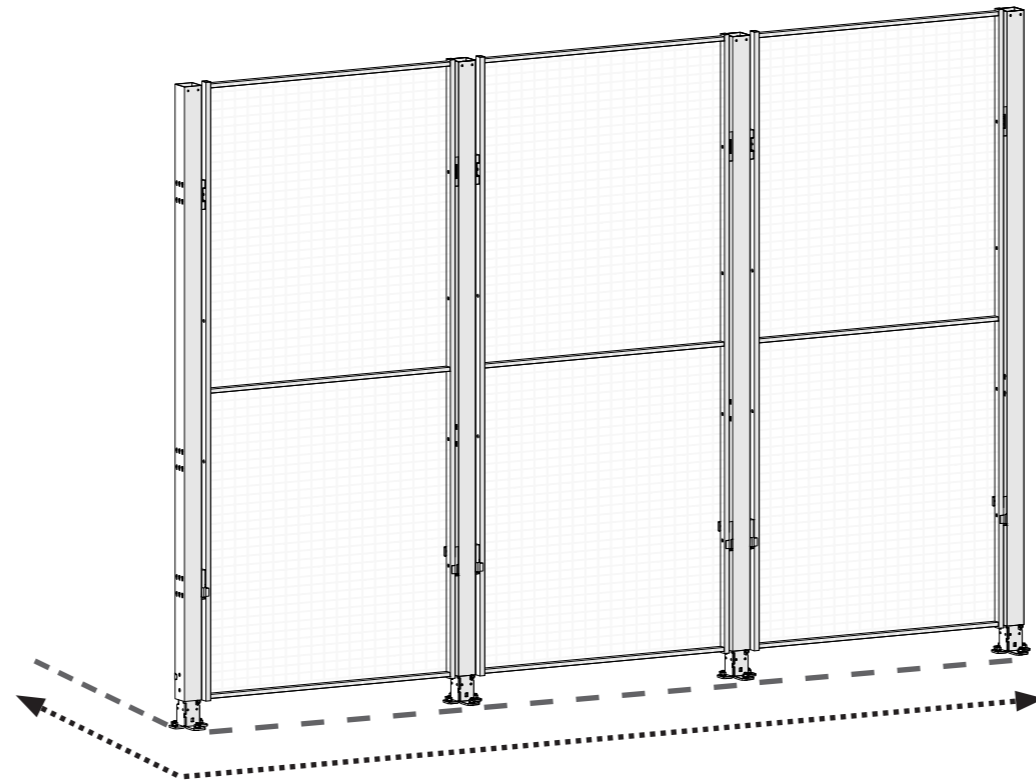


B00-073



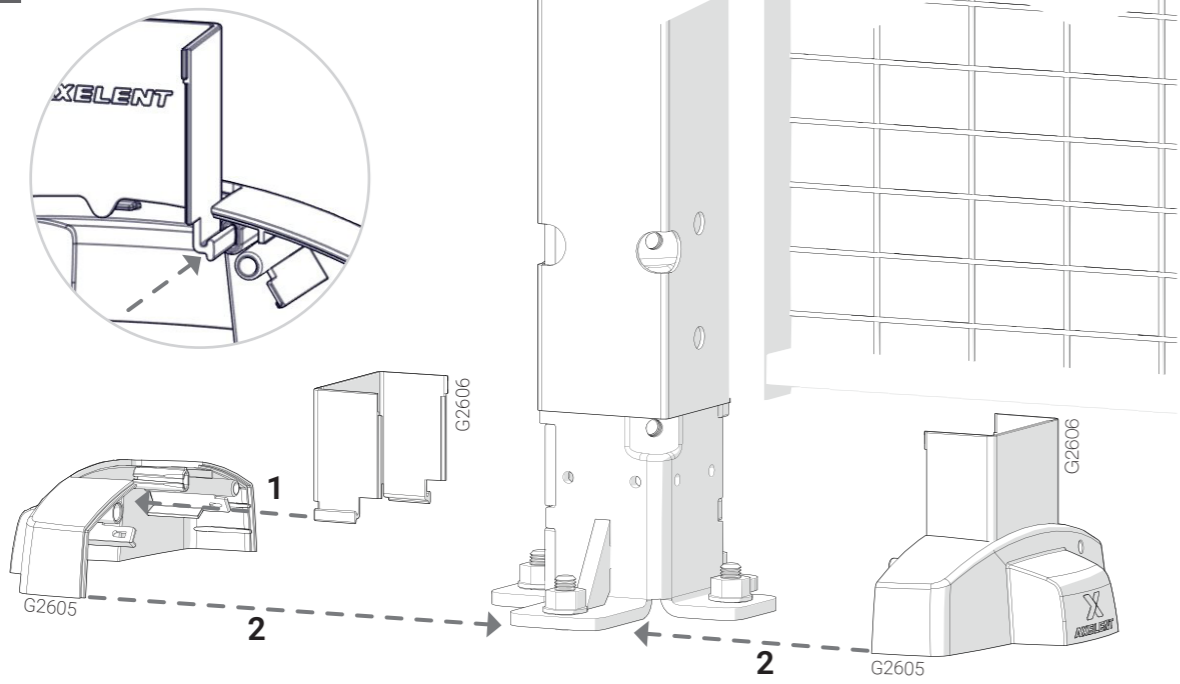


2



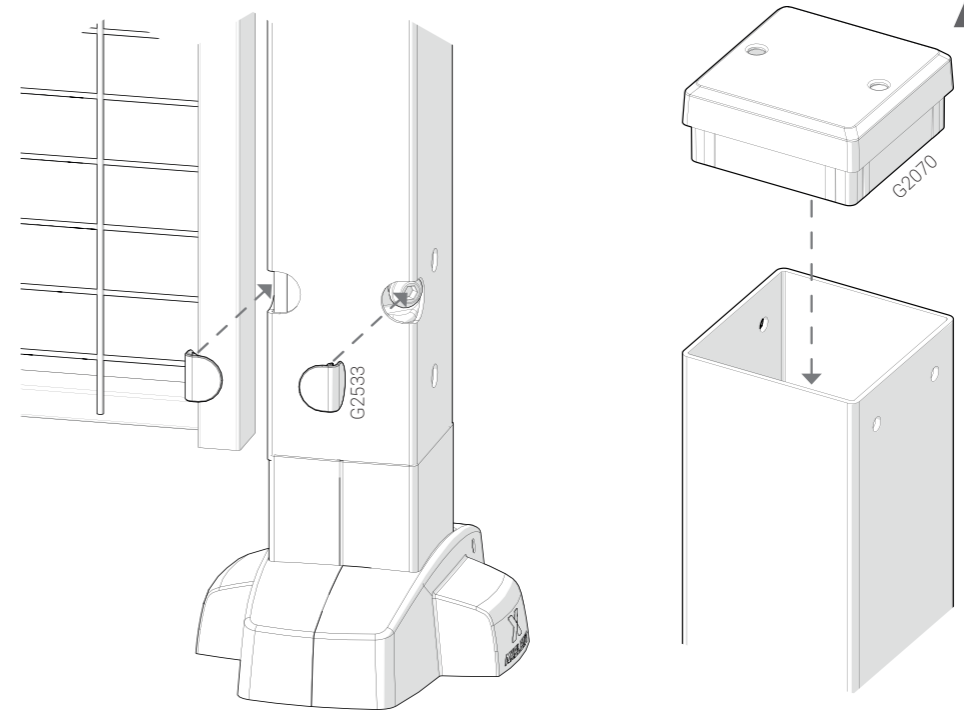
4

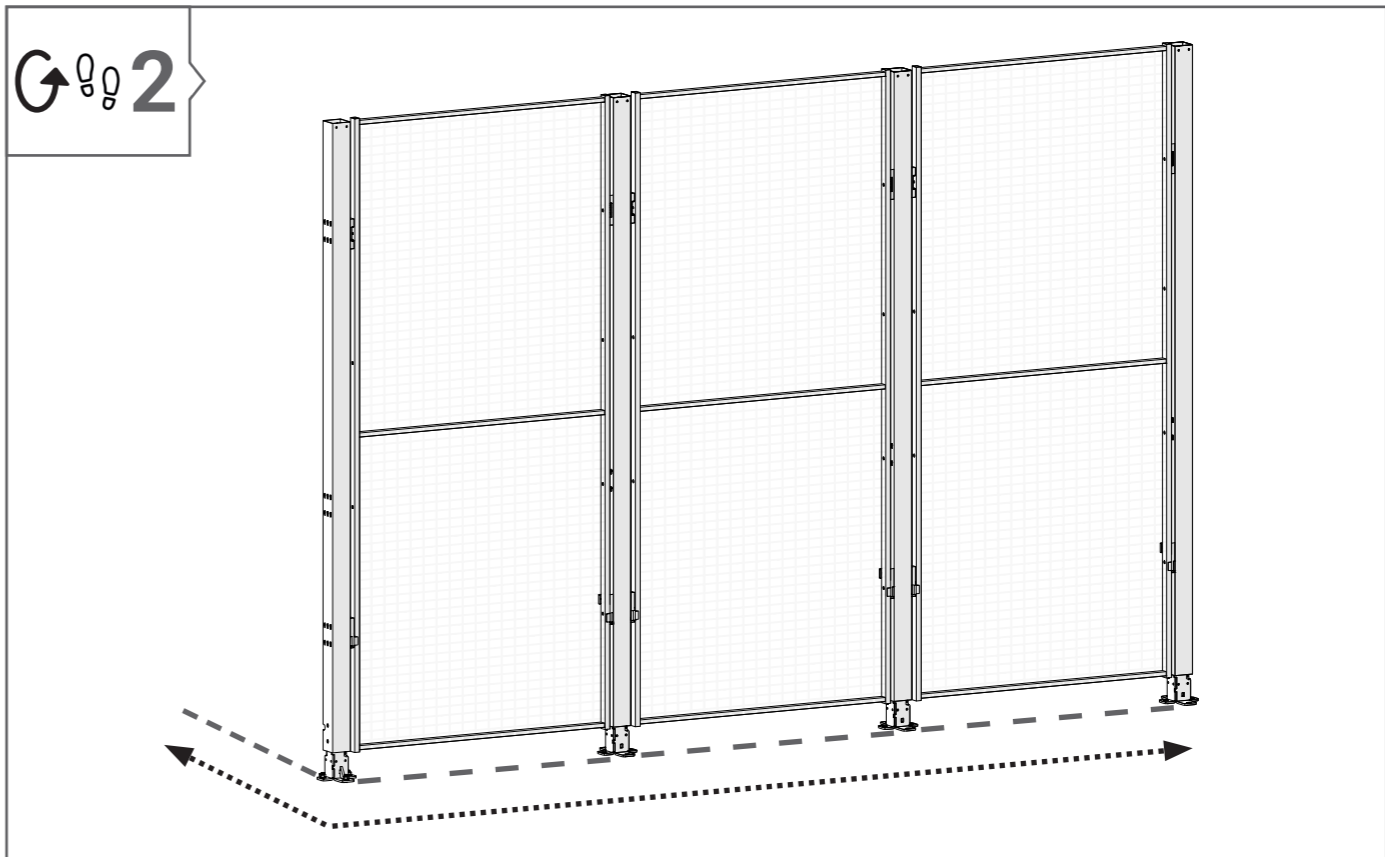
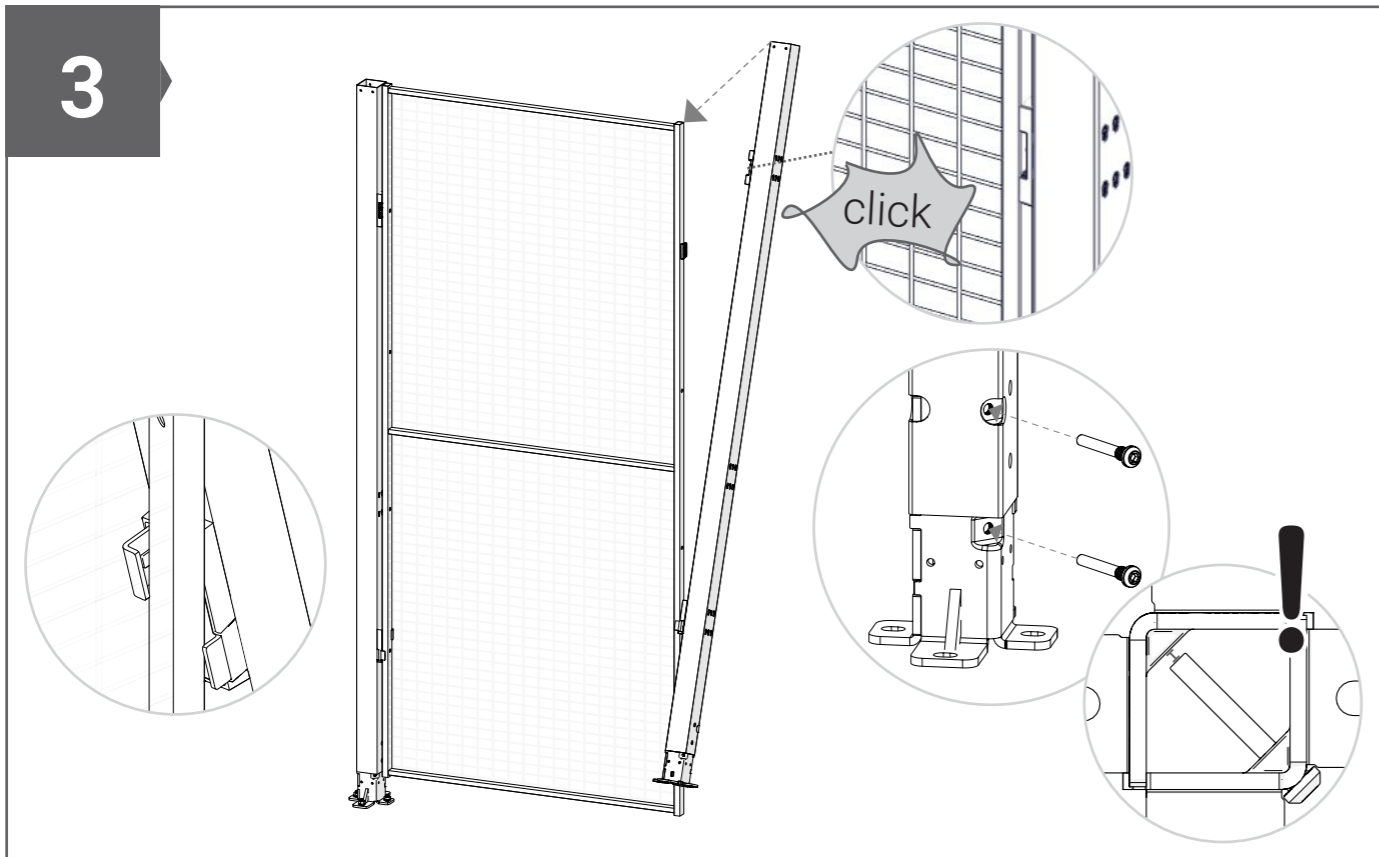
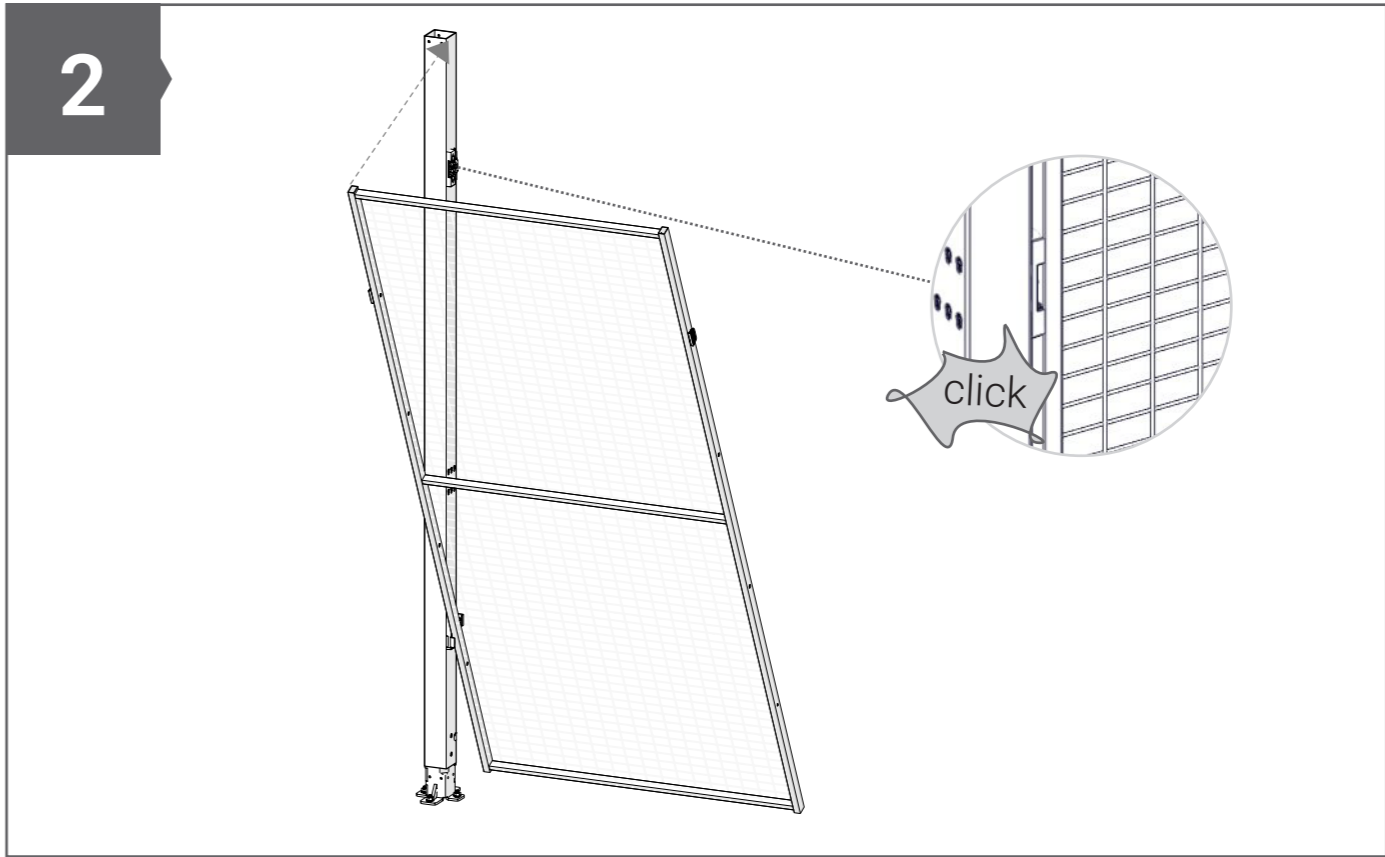
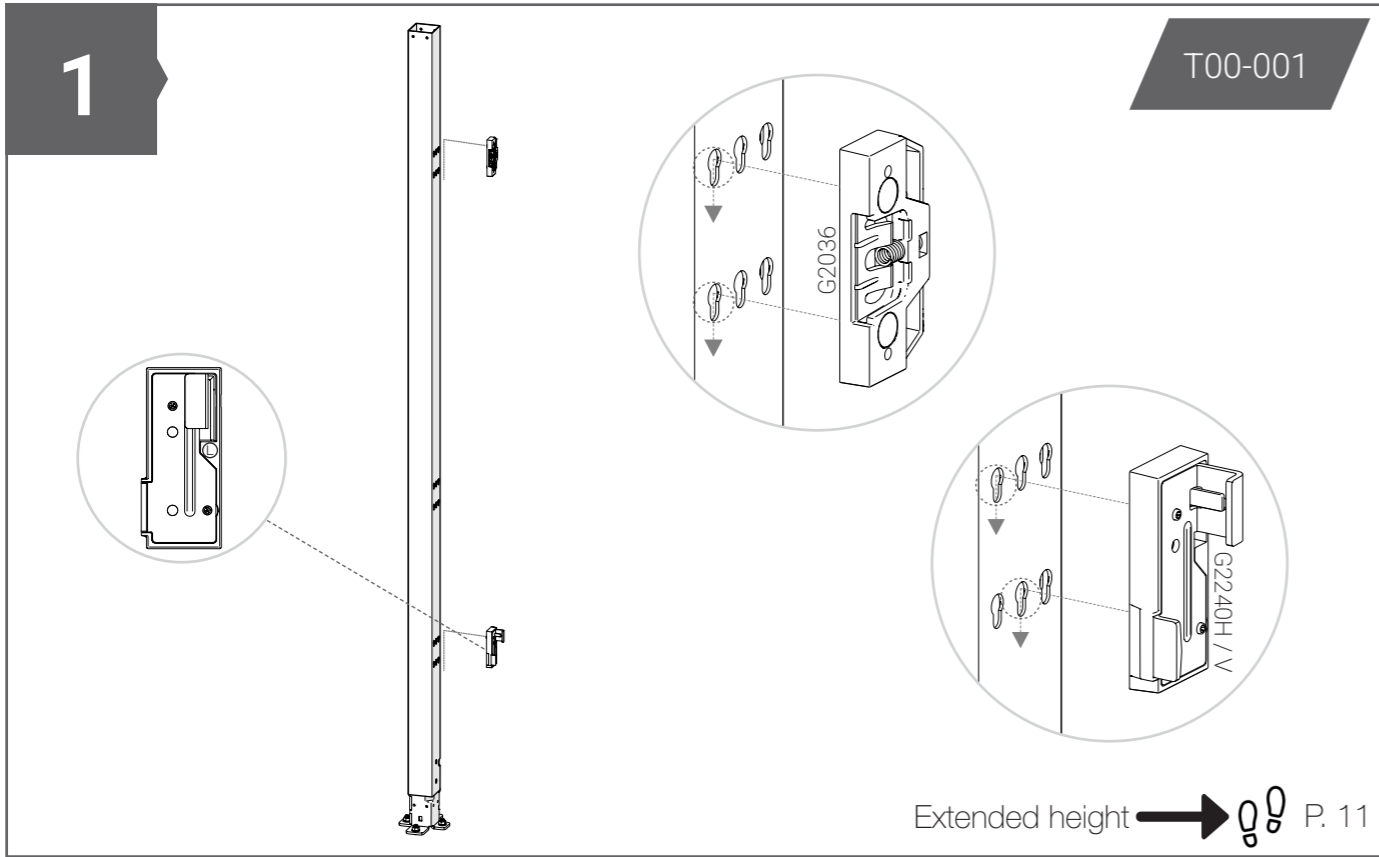
B00-050



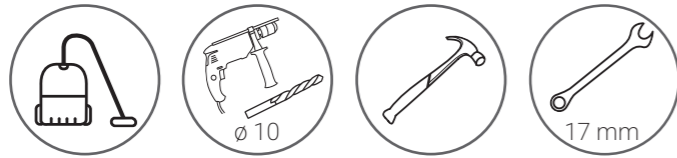
5

B00-050

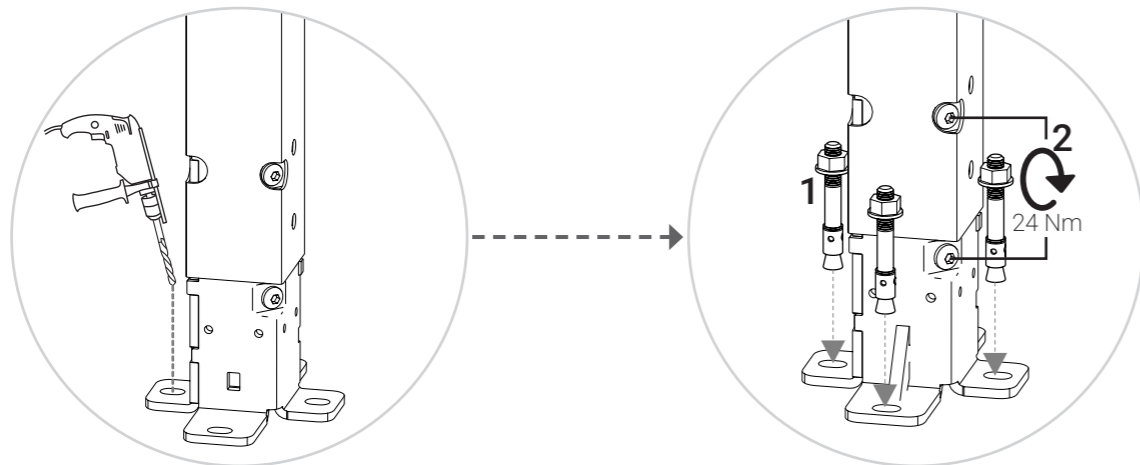
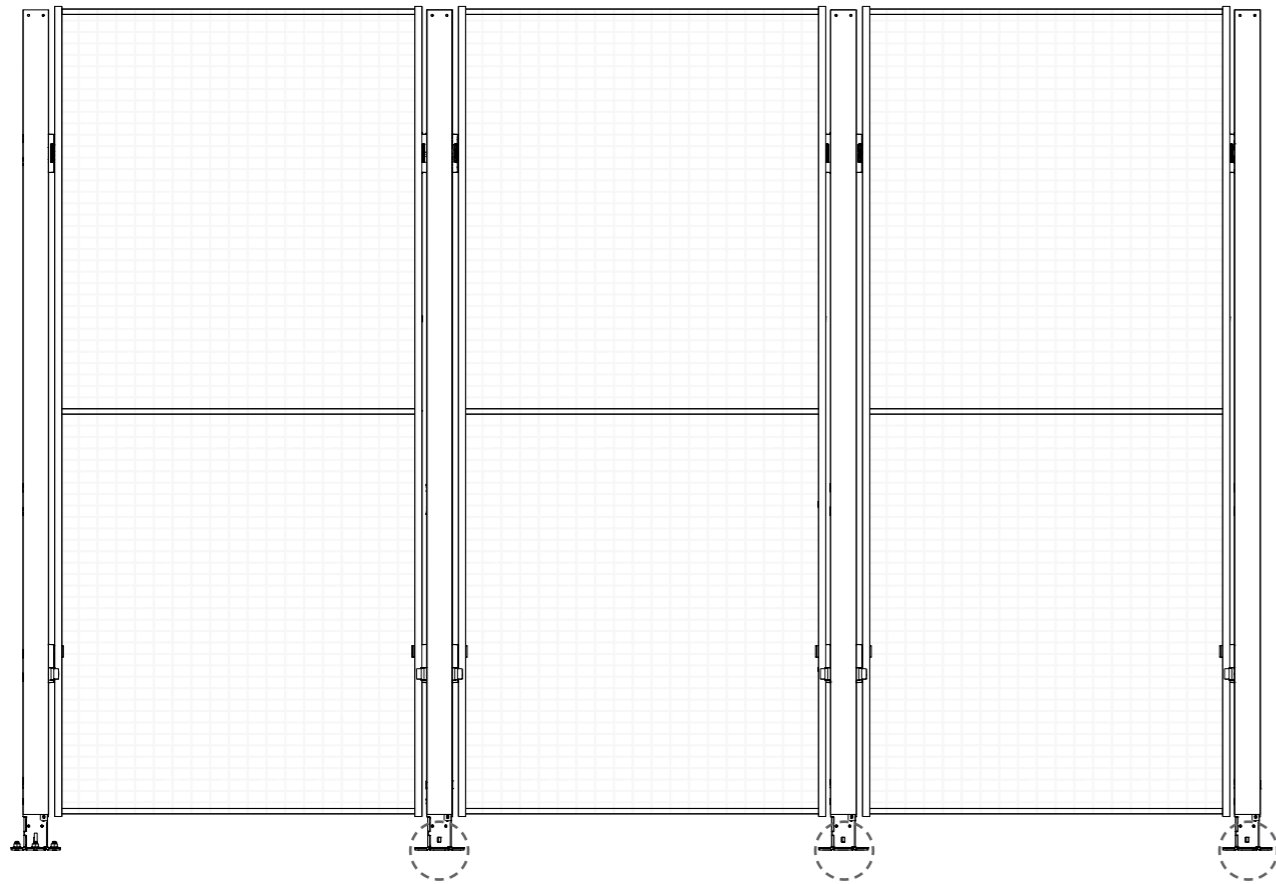




4

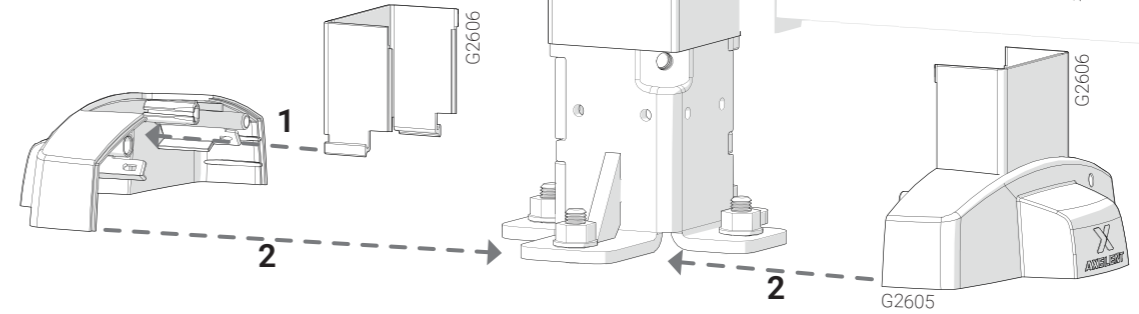


B00-002



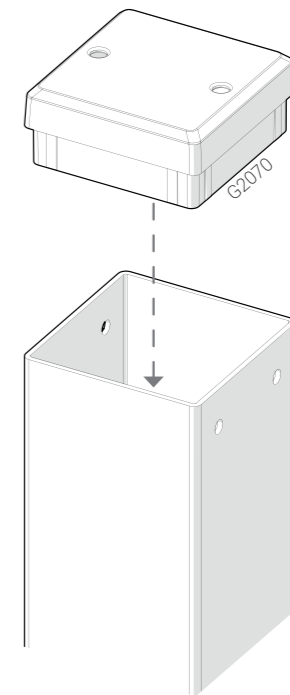
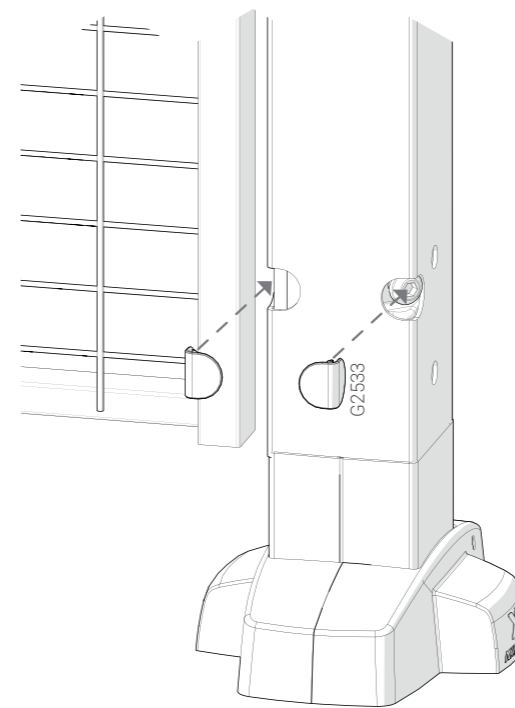
5

B00-050

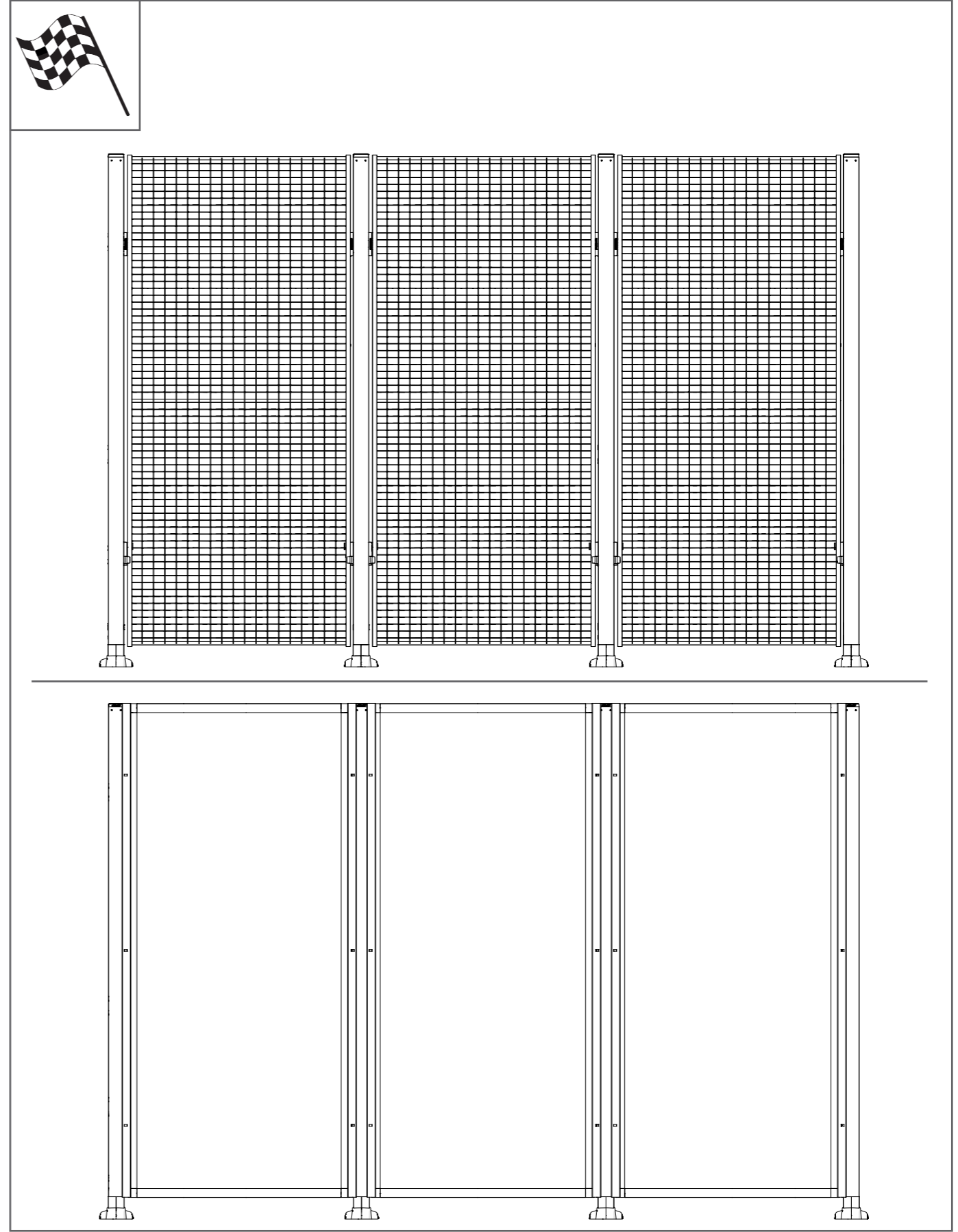
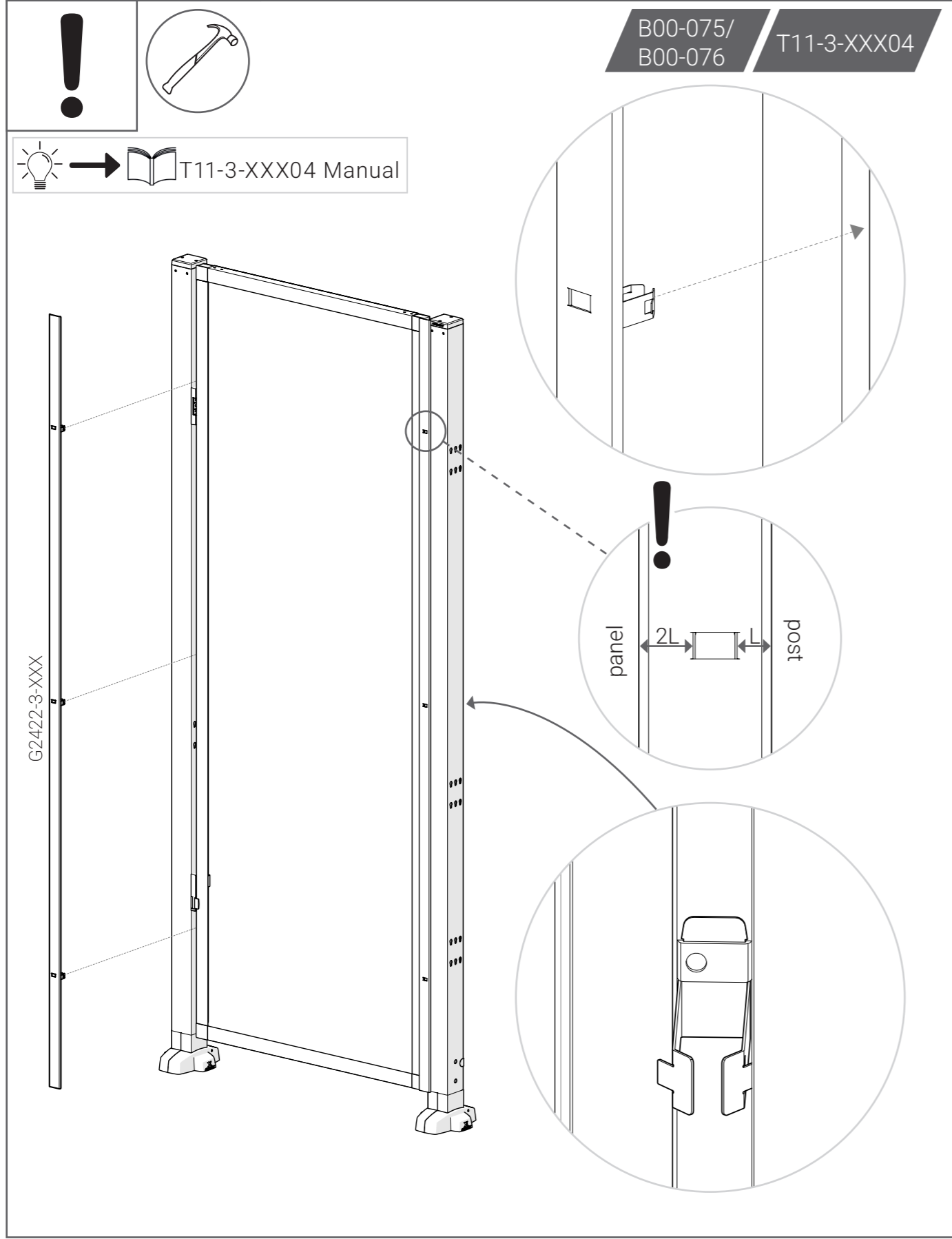


6

B00-050

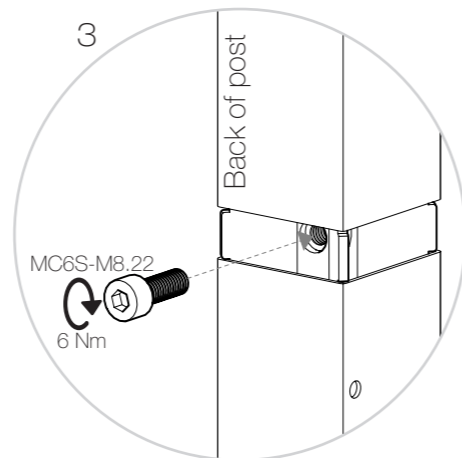
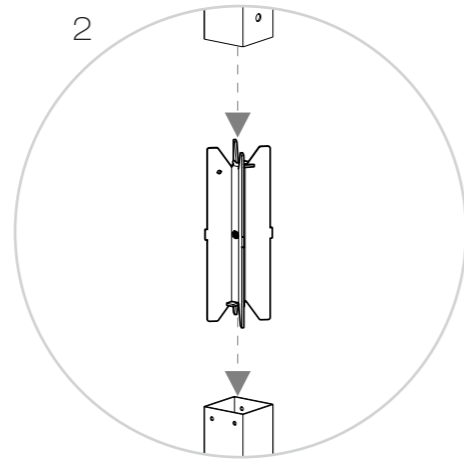
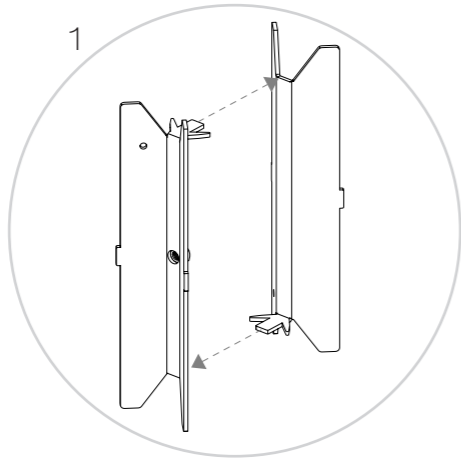


Metal/Plastic panels



3 Extended height

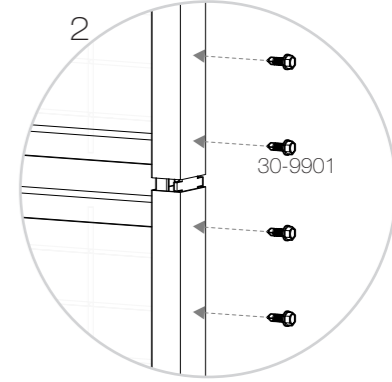
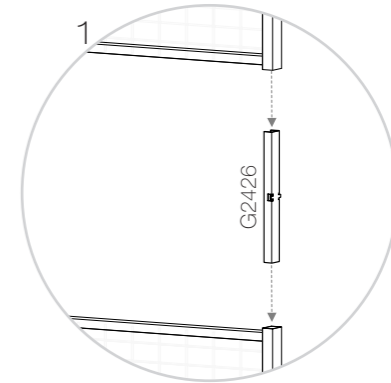
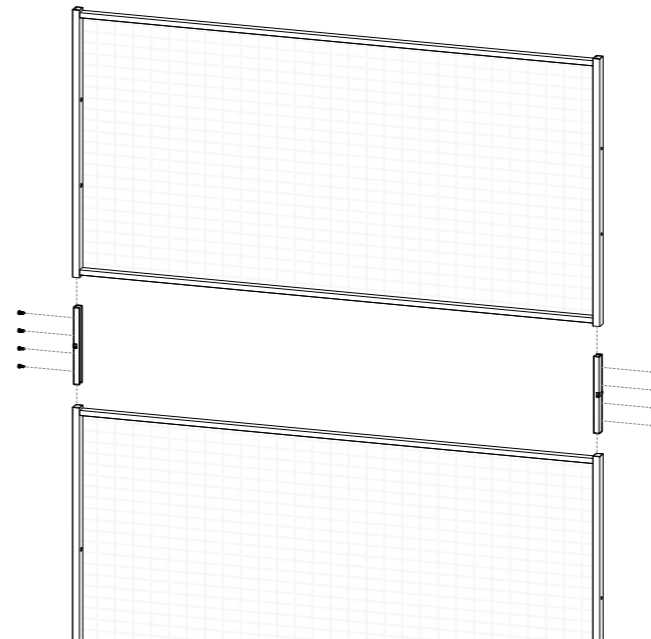
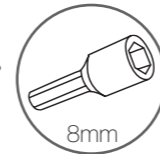
1



B00-042

Mesh panels

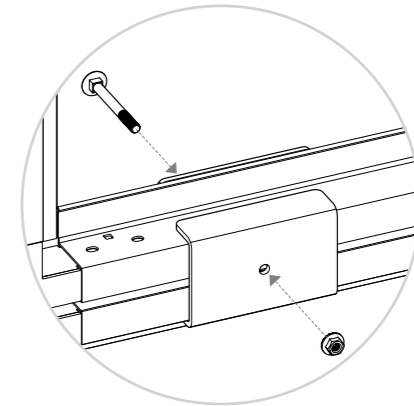
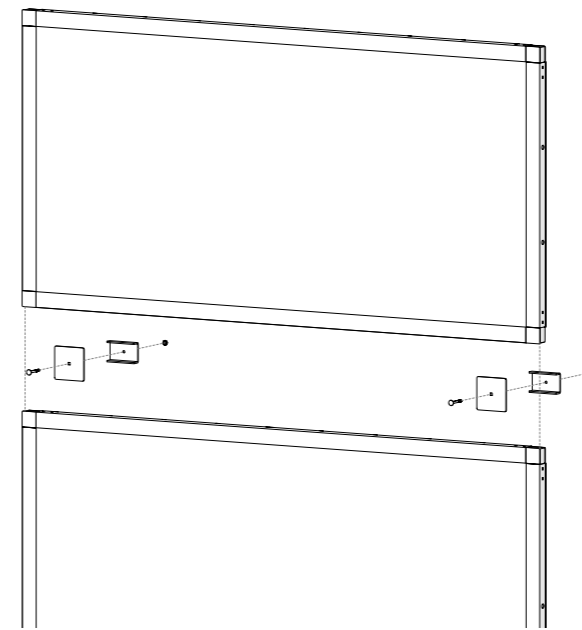
2A



B00-010

Metal/Plastic panels

2B



B00-104

