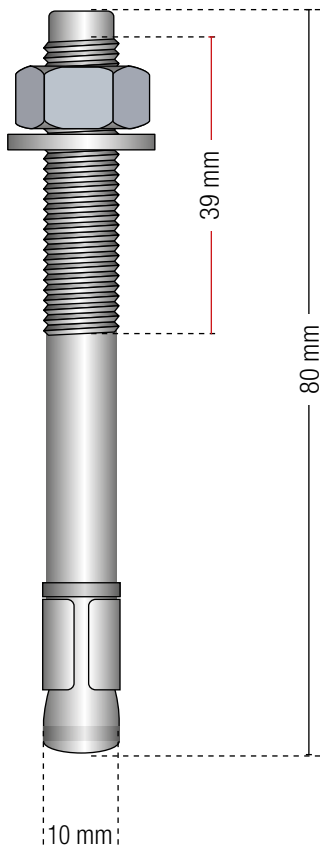


Axellent X-Guard[®] Anchor Bolt

» Assembly instruction



Anchor Bolt Article no. 10-9932

Dimension M10x80 mm, steel, zincplated
Anchor allowed to use for non-cracked concrete
For indoor use only
Two ways of assembling possible:
"pre-plug-" and "Through-mounting"

Assembly							
Dimension	Length	Thread Length	Drill	Assembling depth - A		Torque	Max assembling thickness - B
M10	80 mm	39 mm	Ø 10 mm	Min: 40 mm	Max: 60 mm	30 Nm	27 mm

Loadings							
Assembling depth 40 mm				Assembling depth 60 mm			
Pull out force concrete		Shearforce concrete		Pull out force concrete		Shearforce concrete	
C25	C40	C25	C40	C25	C40	C25	C40
2,2 kN	3,1 kN	1,6 kN	2,2 kN	4,0 kN	5,6 kN	5,7 kN	6,5 kN

