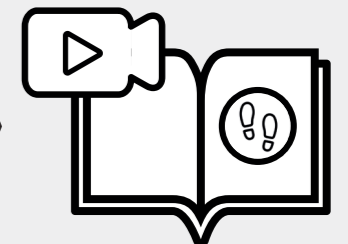
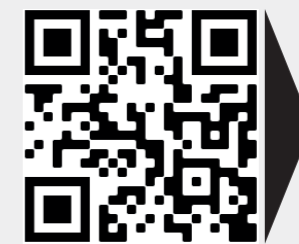
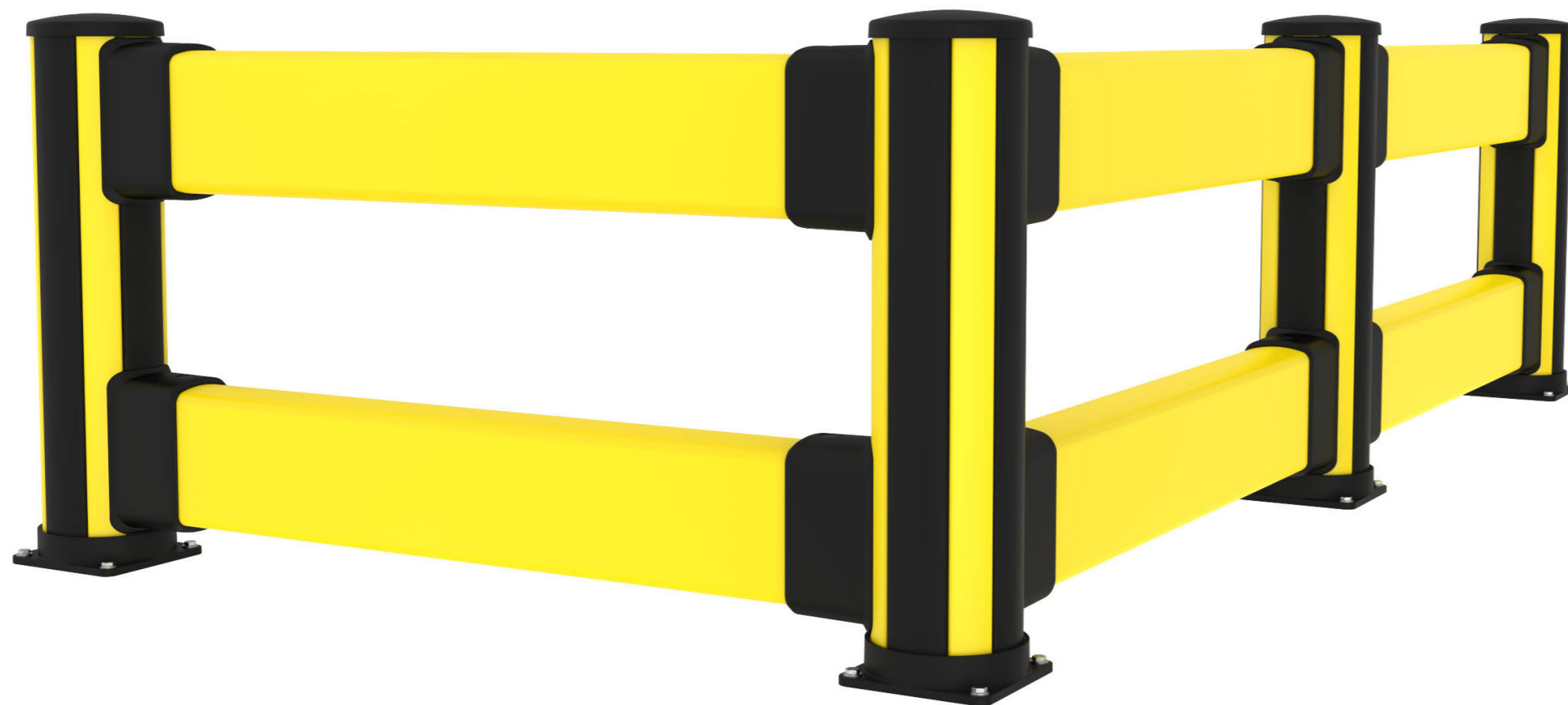


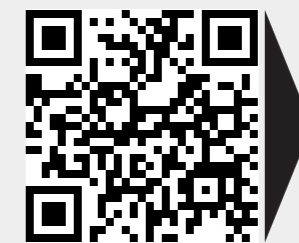
# X-Protect

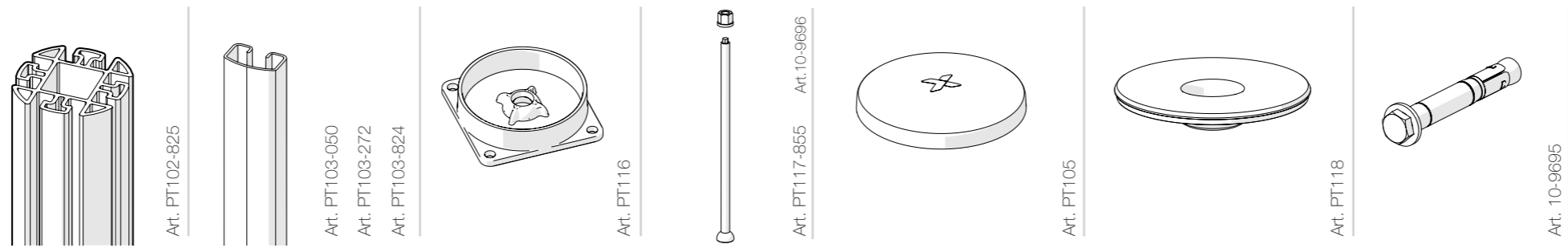
Double impact



**AXELENT AB**

[WWW.AXELENT.COM](http://WWW.AXELENT.COM)

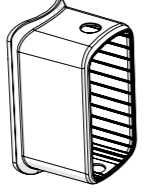
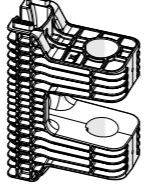
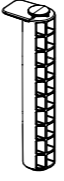




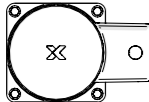
**BCE0-087-I200**  
**BCM0-087-I200**  
**BCC0-087-I200**

1		1	1	3	1+1	1	1	1	4
1		2	2	2	1+1	1	1	1	4
1		2	2	2	1+1	1	1	1	4

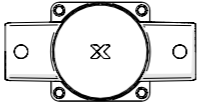
**CCS9-000-I100**

	Art. PT108		Art. PT109		Art. PT111
2		2		2	
4		4		4	
4		4		4	

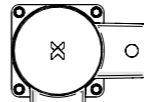
**BCE0-087-I200**  
**BCM0-087-I200**  
**BCC0-087-I200**







**BCE0-087-I200**











**BCM0-087-I200**



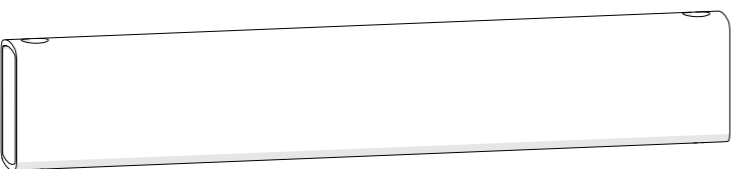
**BCC0-087-I200**

			
CCS9-000-I100			
PT103-824	PT103-272	PT103-824	PT103-824
	CCS9-000-I100		
	PT103-050		

			
CCS9-000-I100			CCS9-000-I100
PT103-824	PT103-272	PT103-824	PT103-372
	CCS9-000-I100		CCS9-000-I100
	PT103-050		PT103-050

			
CCS9-000-I100		CCS9-000-I100	
PT103-824	PT103-272	PT103-272	PT103-824
	CCS9-000-I100	CCS9-000-I100	
	PT103-050	PT103-050	

**RCI1-XXX-XXXX**  
 (RCI1-length-centre to centre)



*The pin hole location, size and adjacent material integrity are critical to the overall system function and performance. Axelent therefore advises against any onsite alterations as performance cannot be guaranteed.*



