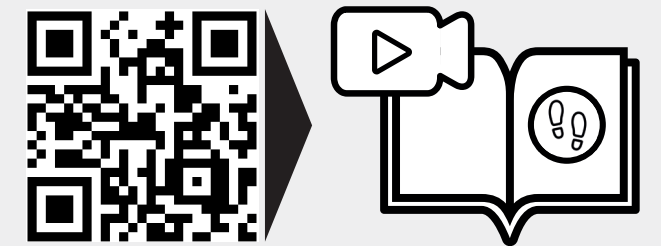
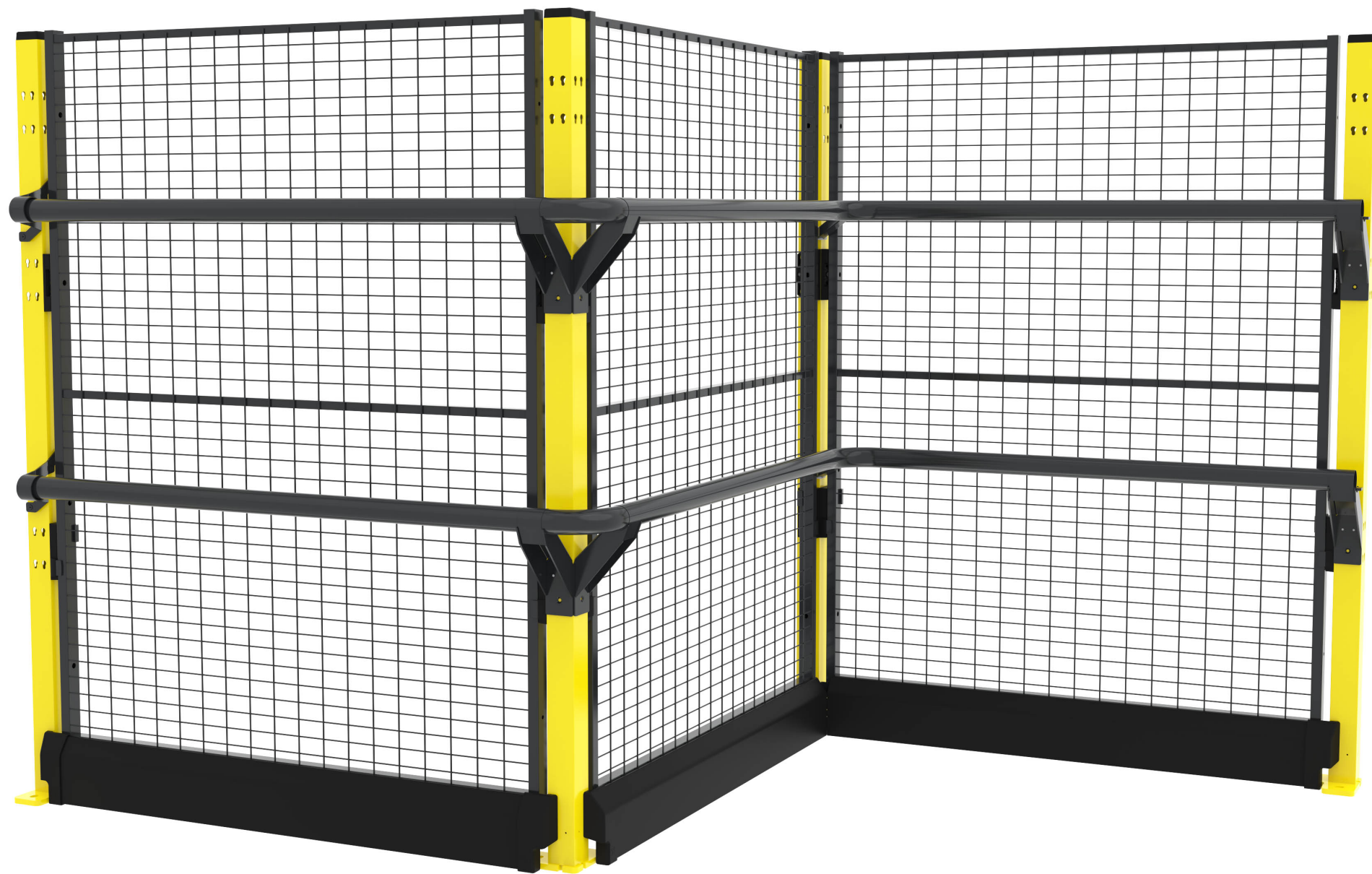


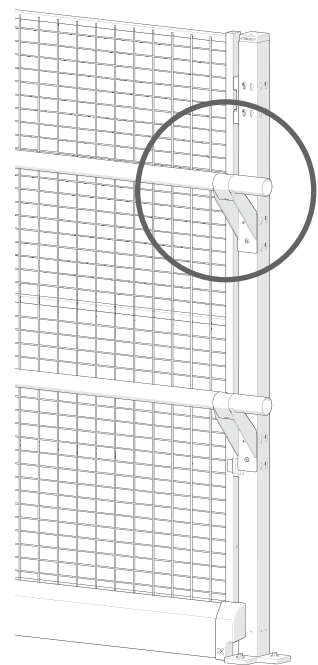
X-Rail



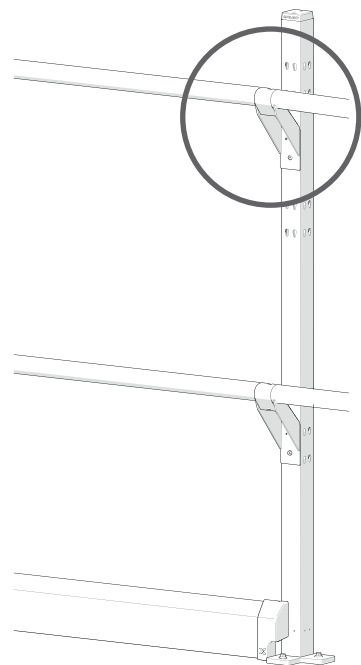
AXELENT AB
WWW.AXELENT.COM



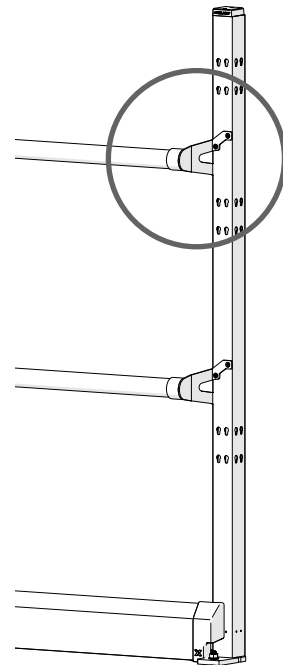
Handrail fittings with rivet,
Page : 5



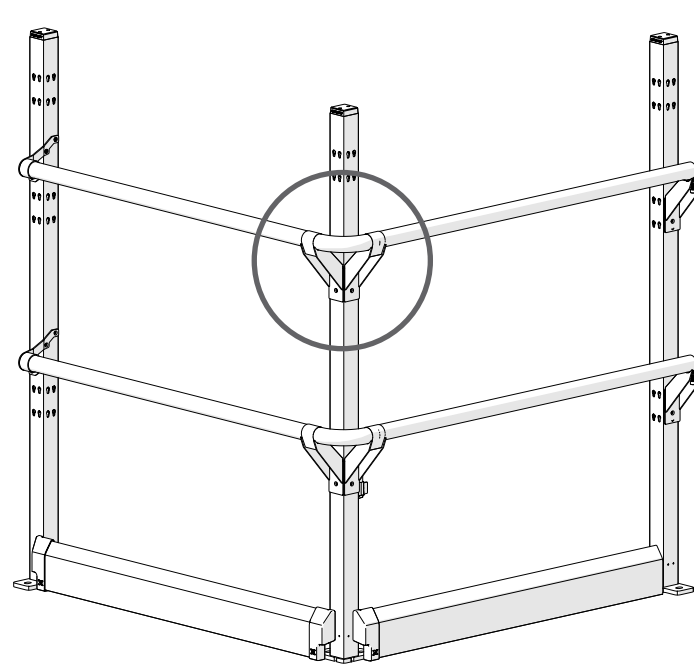
Handrail fittings with selfdrilling screw, Page : 9



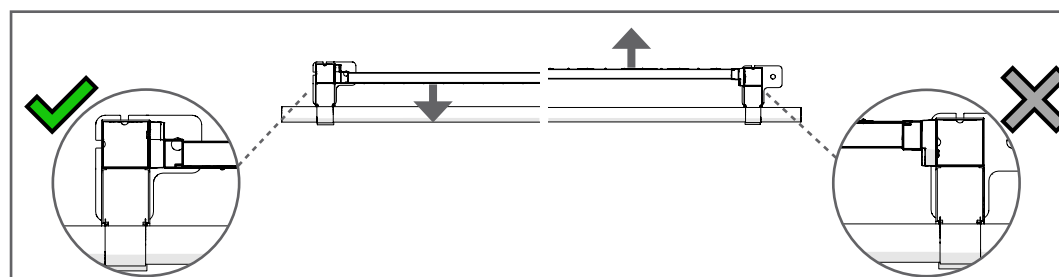
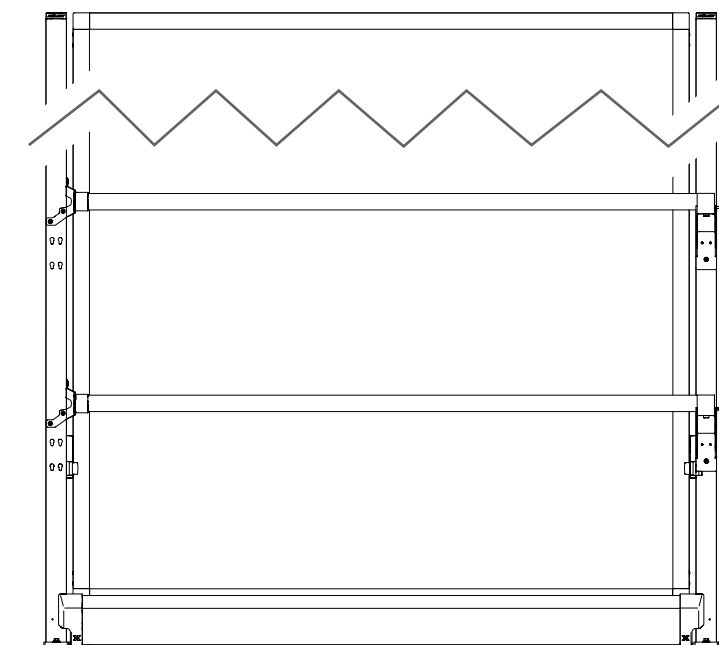
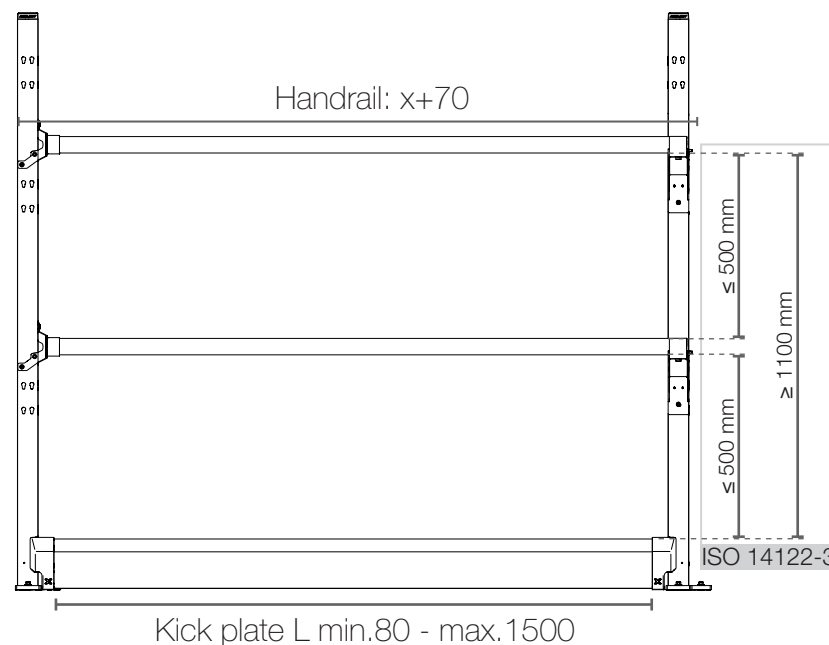
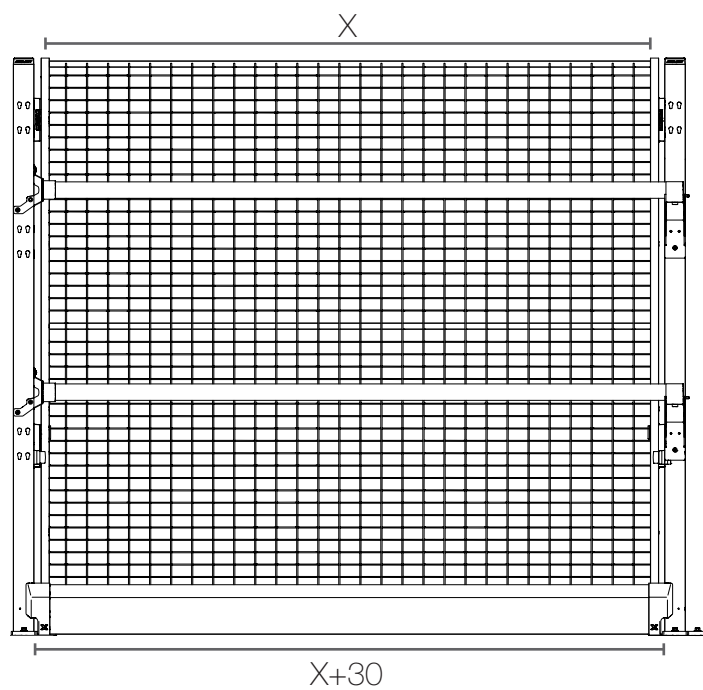
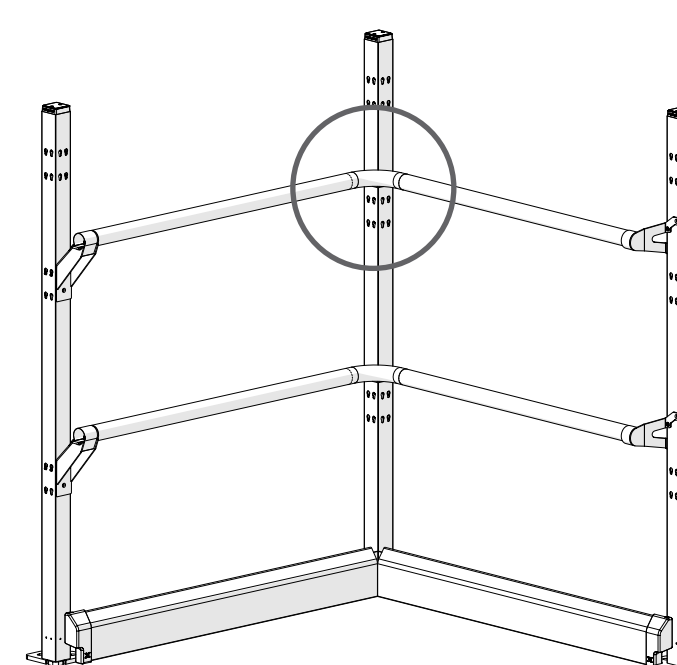
Handrail end bracket, Page : 4



Handrail outer corner/
Kickboard outer corner, Page : 10

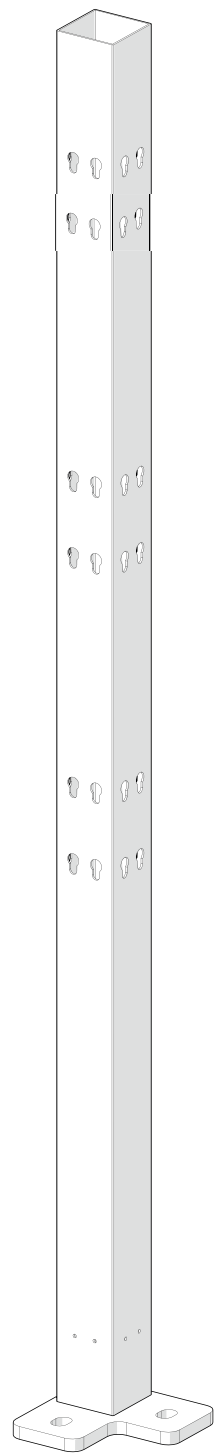


Handrail inner corner /
Kickboard Inner corner, Page : 14

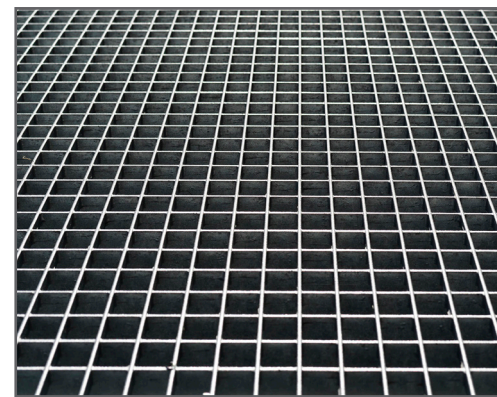


Tested and approved against the following standards:

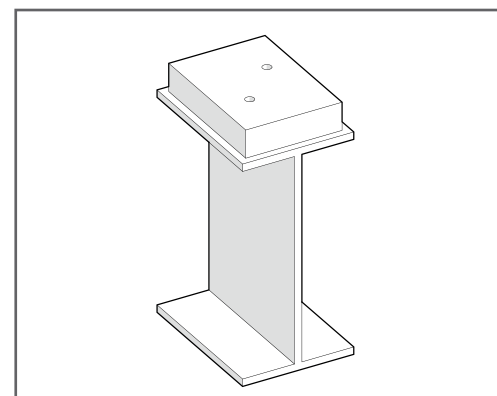
- DIN EN ISO 14122-3: 2016
- BS 6180:2011
- AS 1657:2018
- OSHA 1910.29



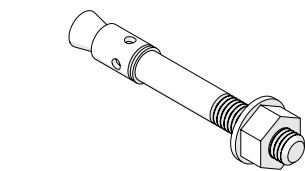
CONCRETE



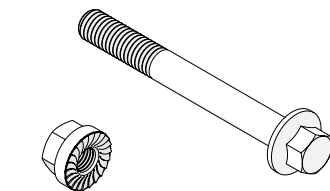
GRID FLOOR



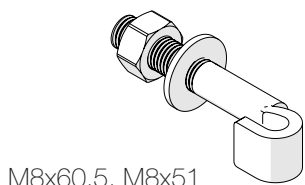
I-BEAM & MDF



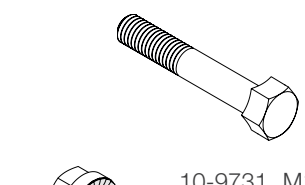
10-9713, M10x90



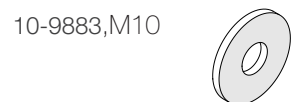
10-9906, M8 10-9915, M8x70
10-9916, M8x90



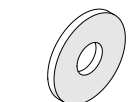
M8x60,5, M8x51
S-0136-02, S-0136-03



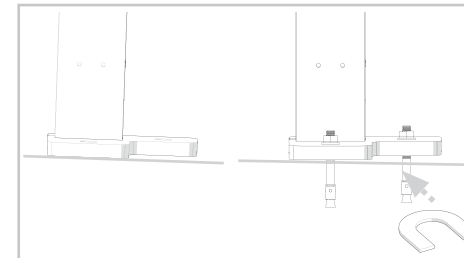
10-9731, M10x80
10-9604, M10x90



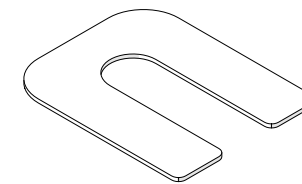
10-9883, M10



10-9703, M10

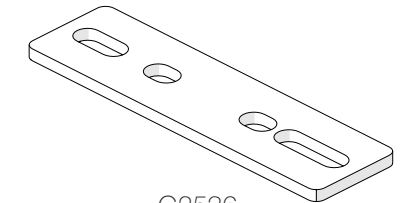


T01-41, (20x10-9942)

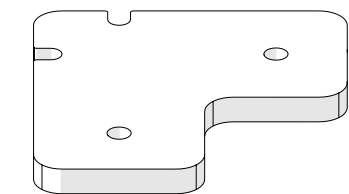


T01-42, (20xG2187-1)

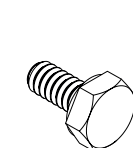
Optional counterplates/
welding plates



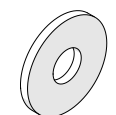
G2536



G2297-1



10-9928, M10x20

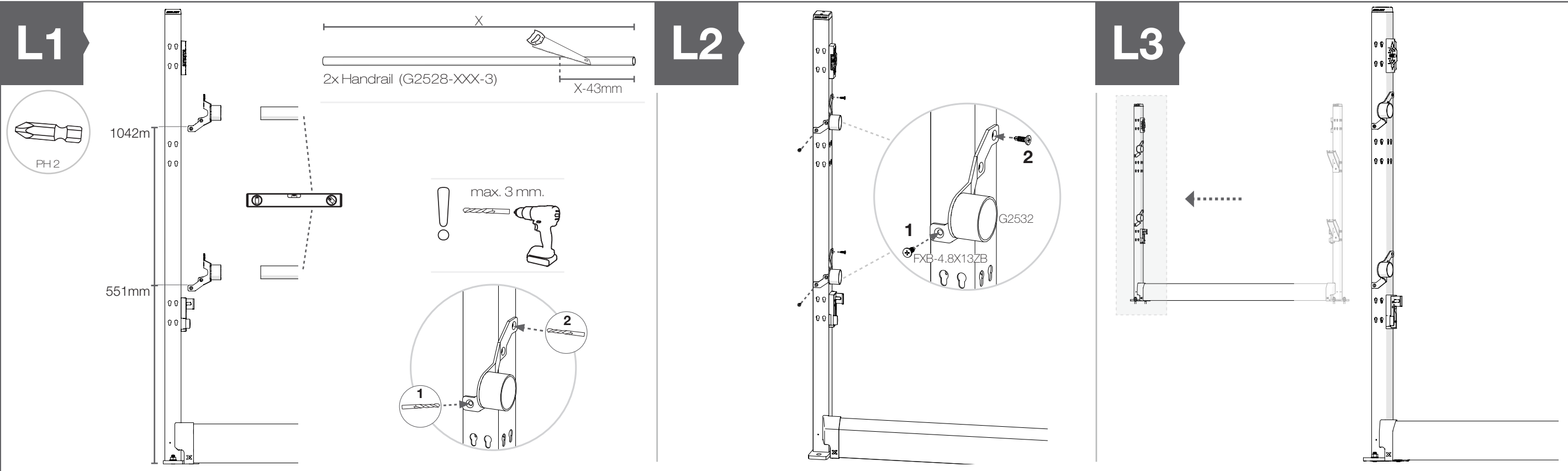
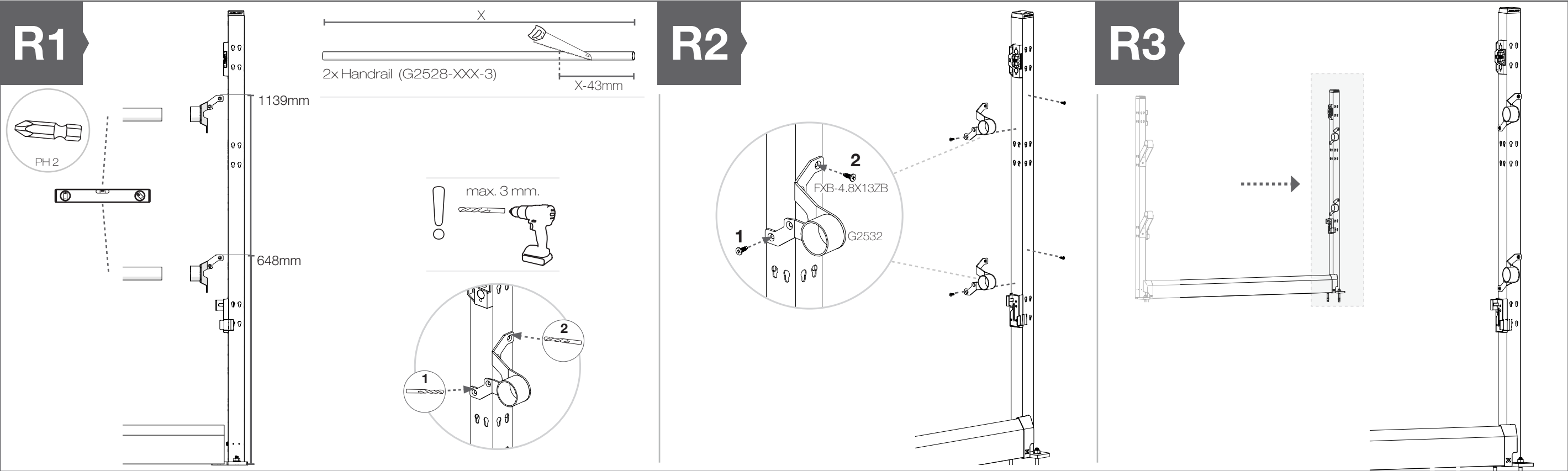


10-9703, M10

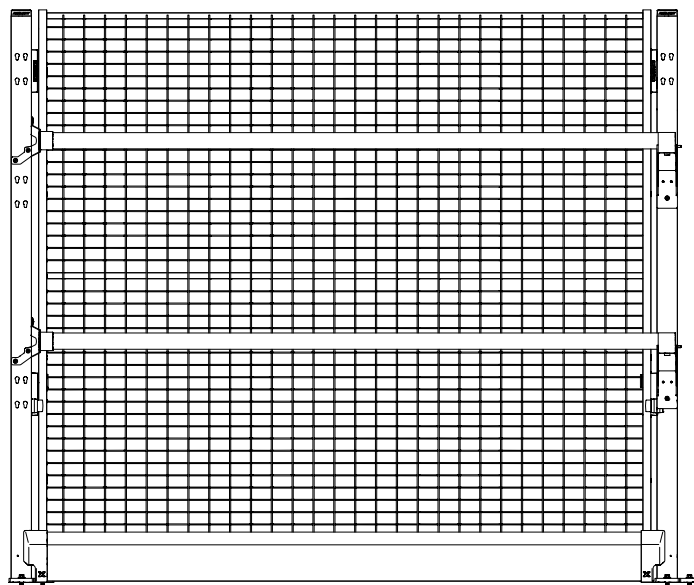
All tests and verification have been performed with below various types of floor to ensure that it works in different environments:

- Concrete
- 38 mm mdf board placed on top of an I-beam in steel
- Grid floor placed above an I-beam in steel

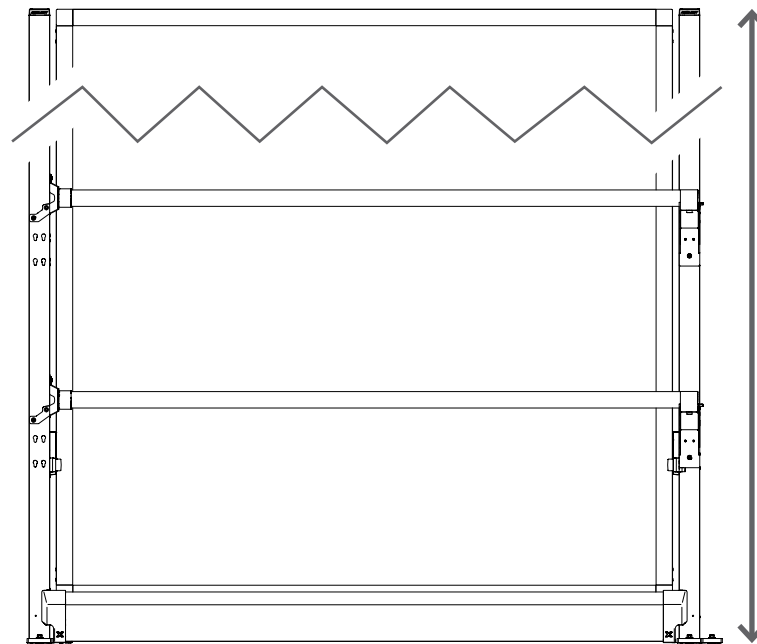
B00-103



Handrail fittings with rivet

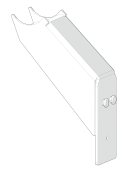


1400 mm Height:
Mesh panels



2300 mm Height:
Mesh, Plastic, Sheet metal panels

B00-060



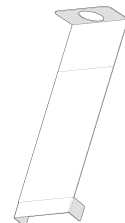
G2525

X1



G2526

X1



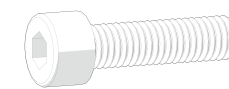
G2527

X1



FXB-4.8X13

X1



Art-MC6S-M8.25

X1

T08-3-150RE



2515100-1500

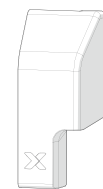
X1



Art-G2292-150

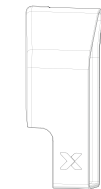
X1

B00-056



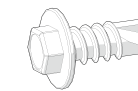
G2290

X1



G2291

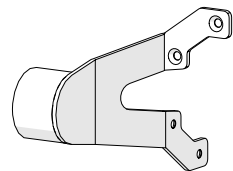
X1



G3055

X4

B00-103



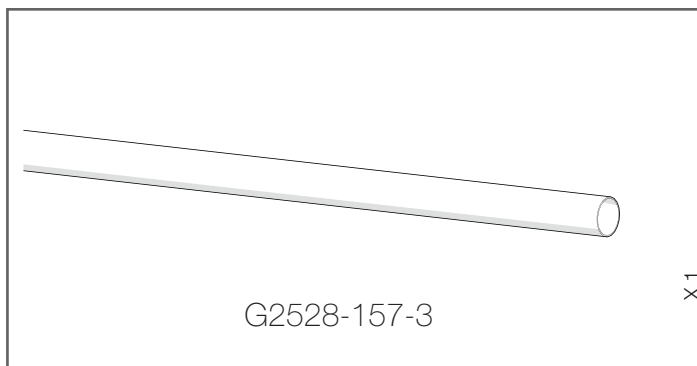
G2532

X1



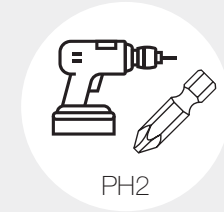
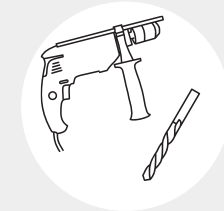
FXB-4.8X13ZB

X4

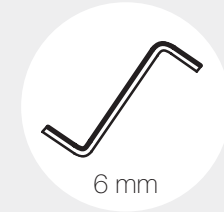


G2528-157-3

X1



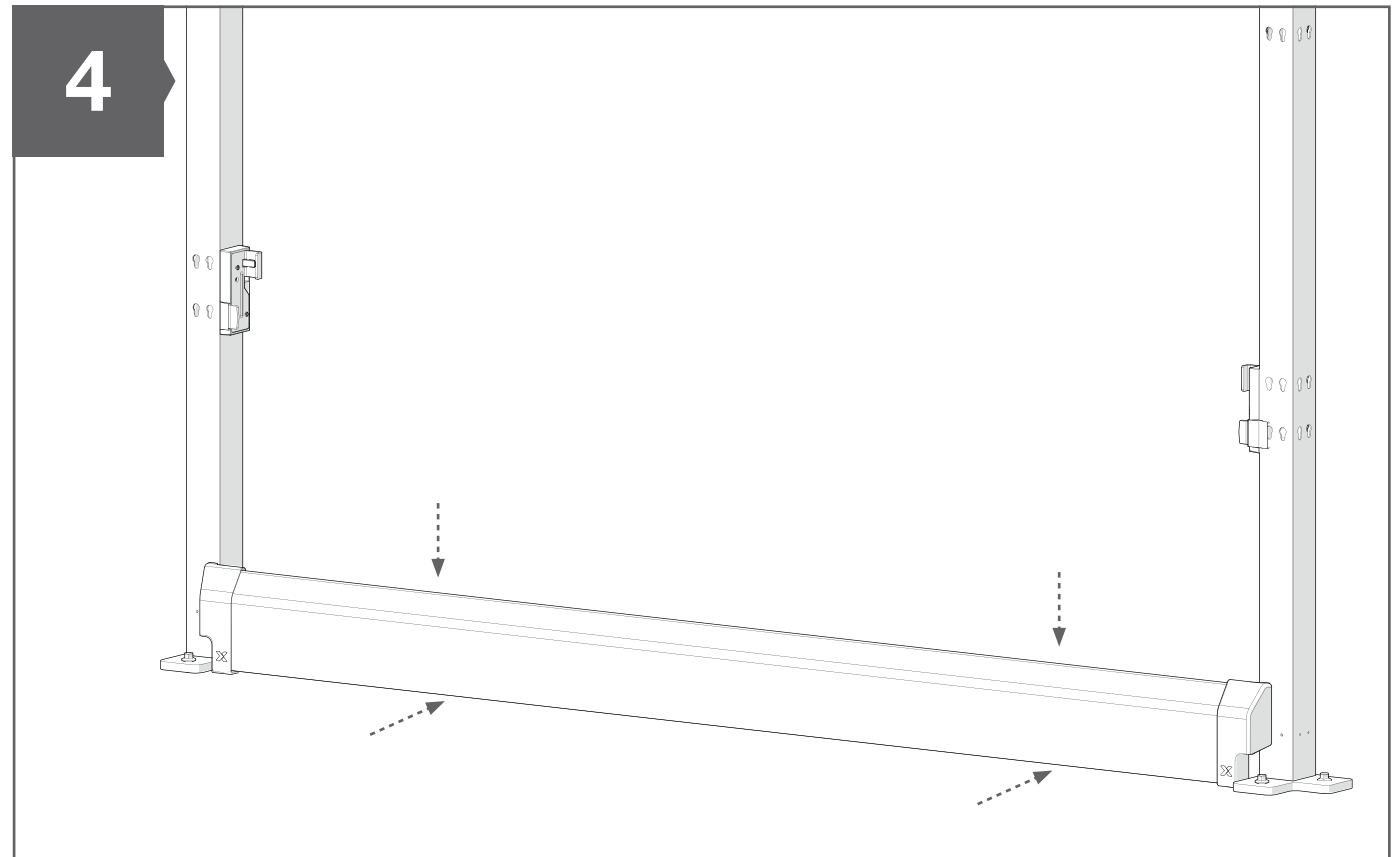
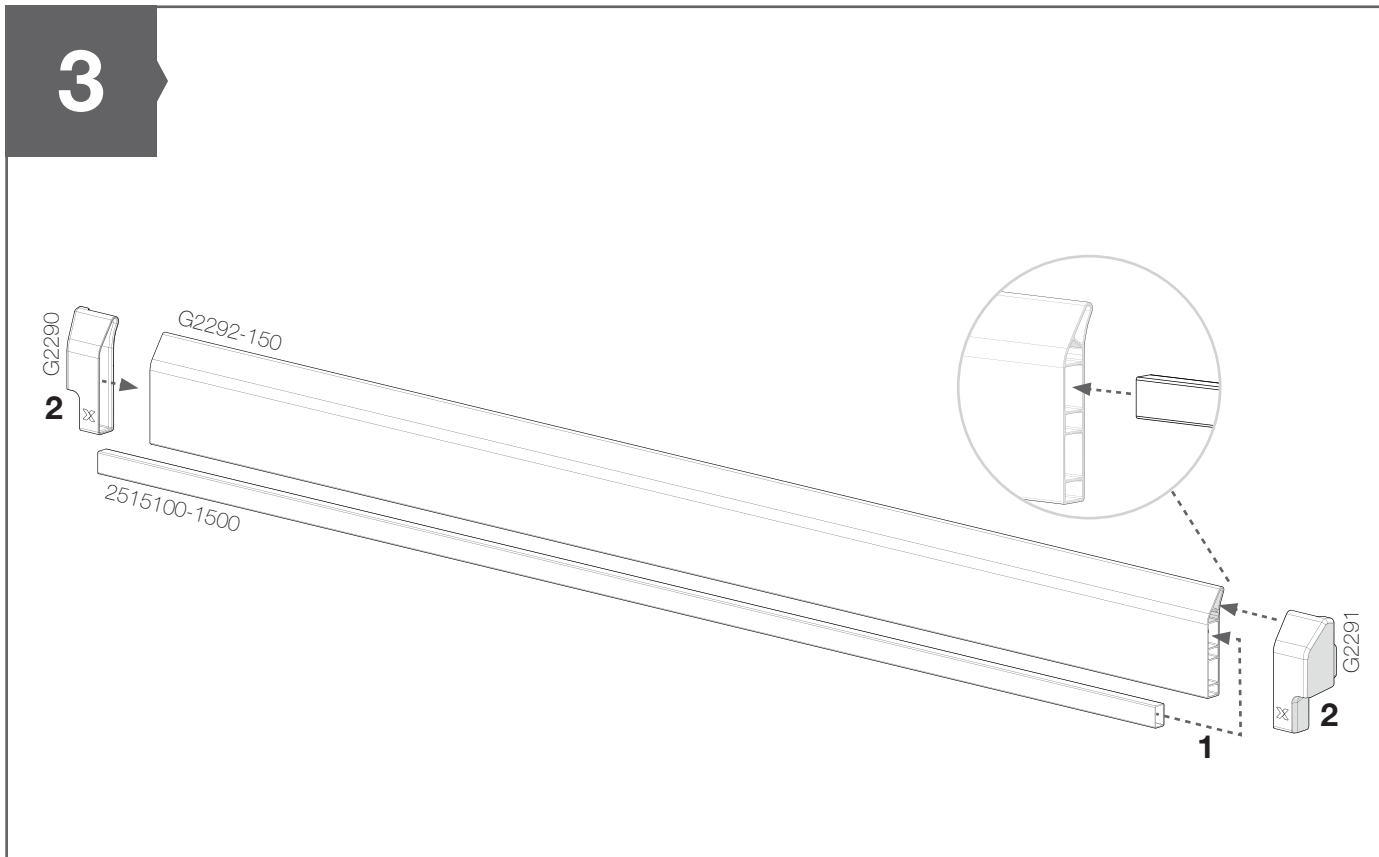
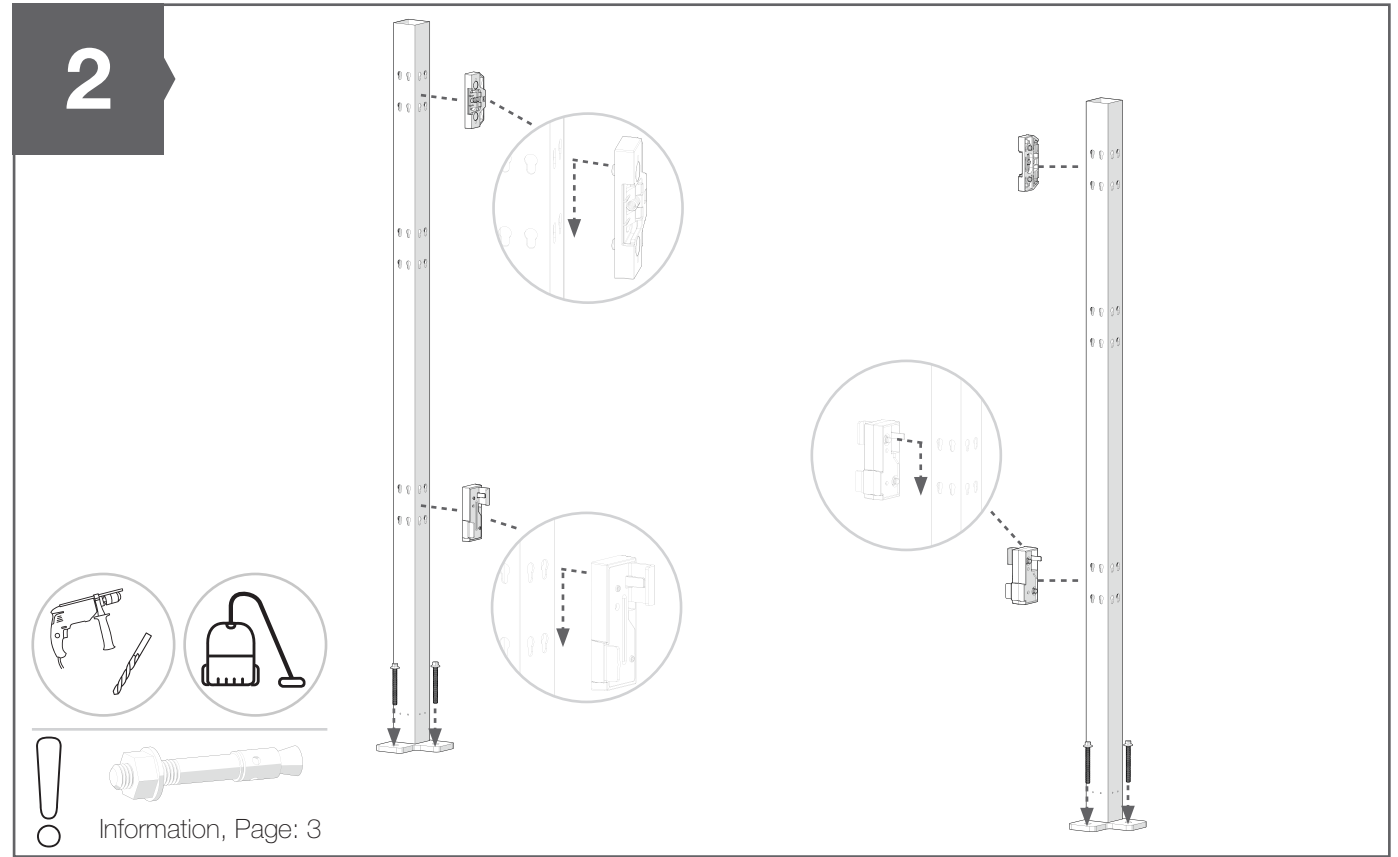
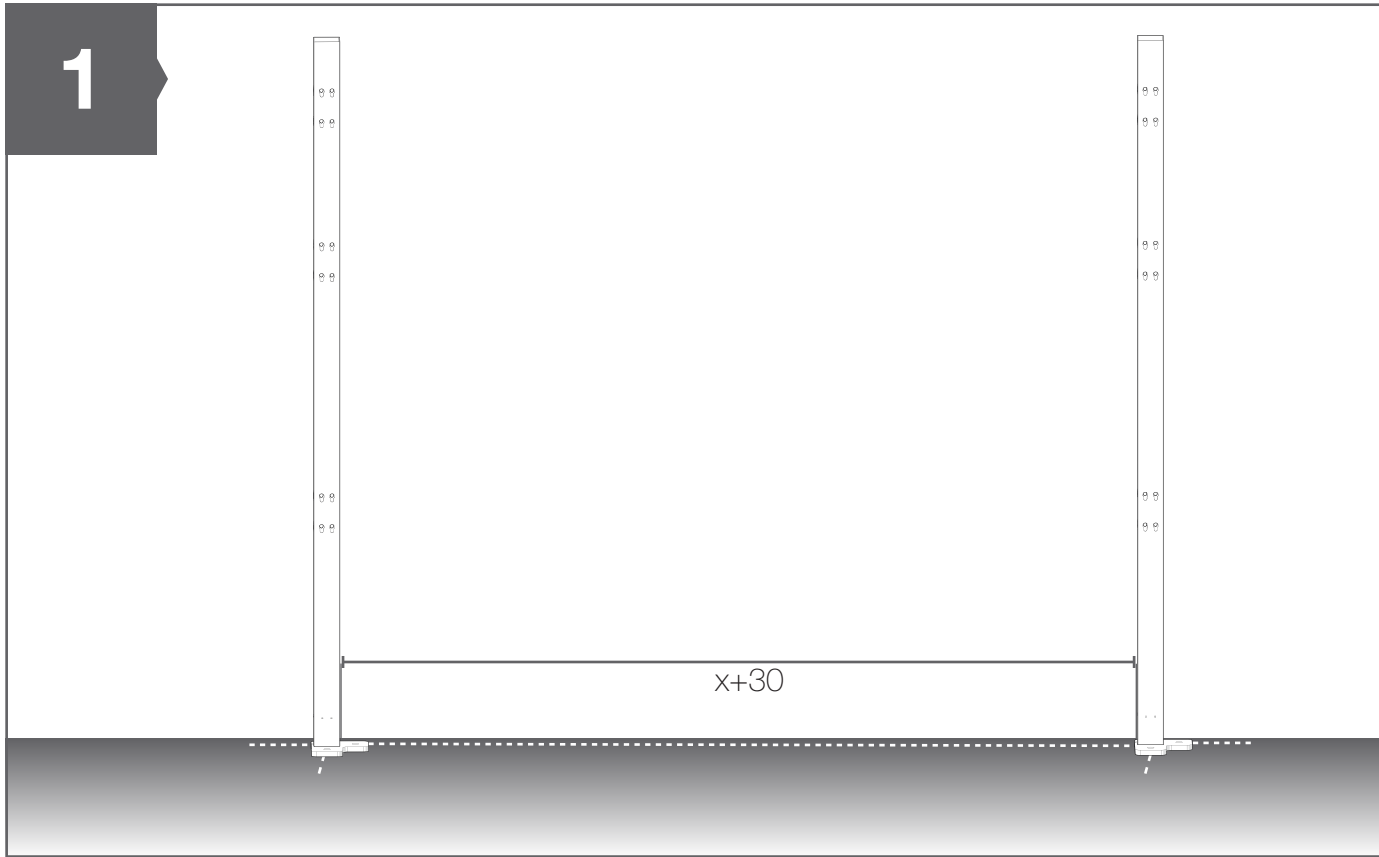
PH2

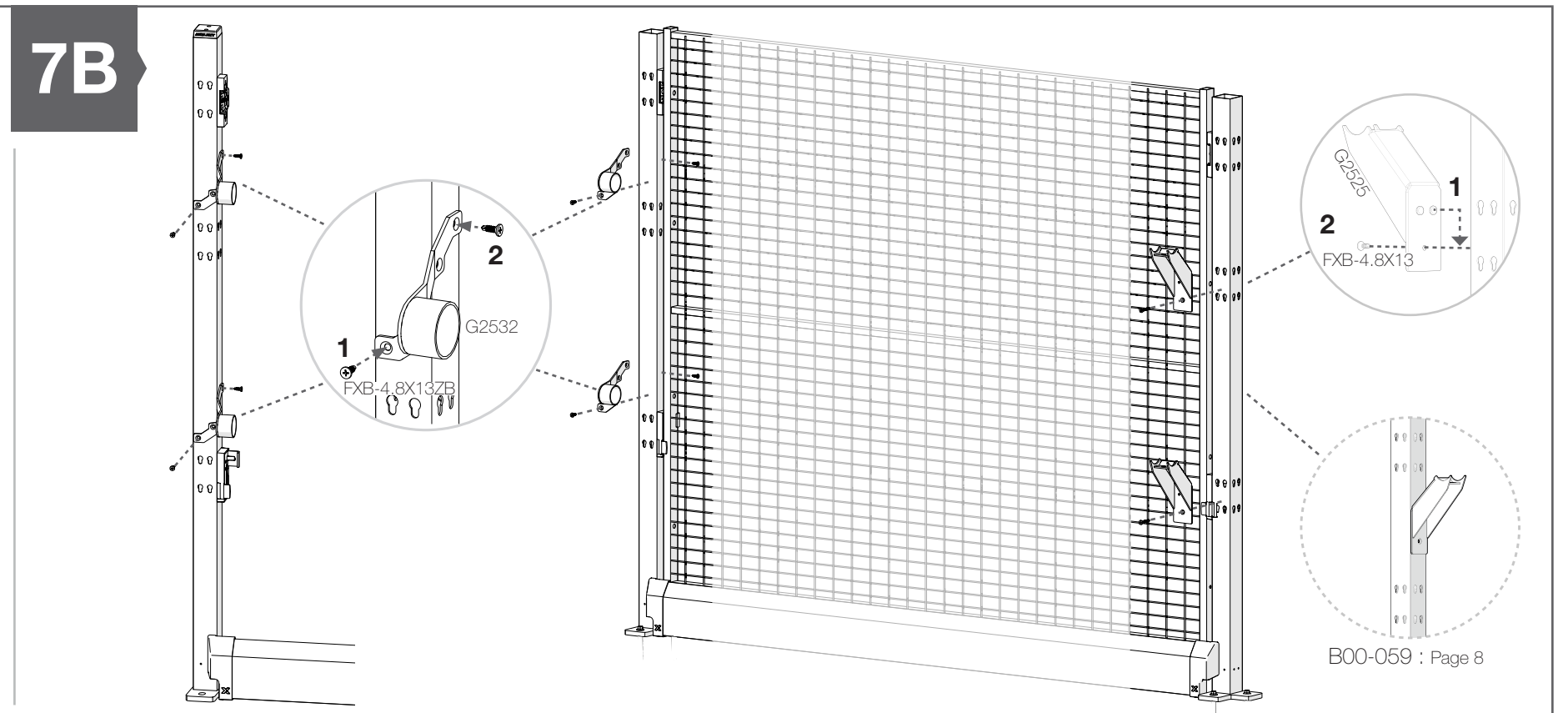
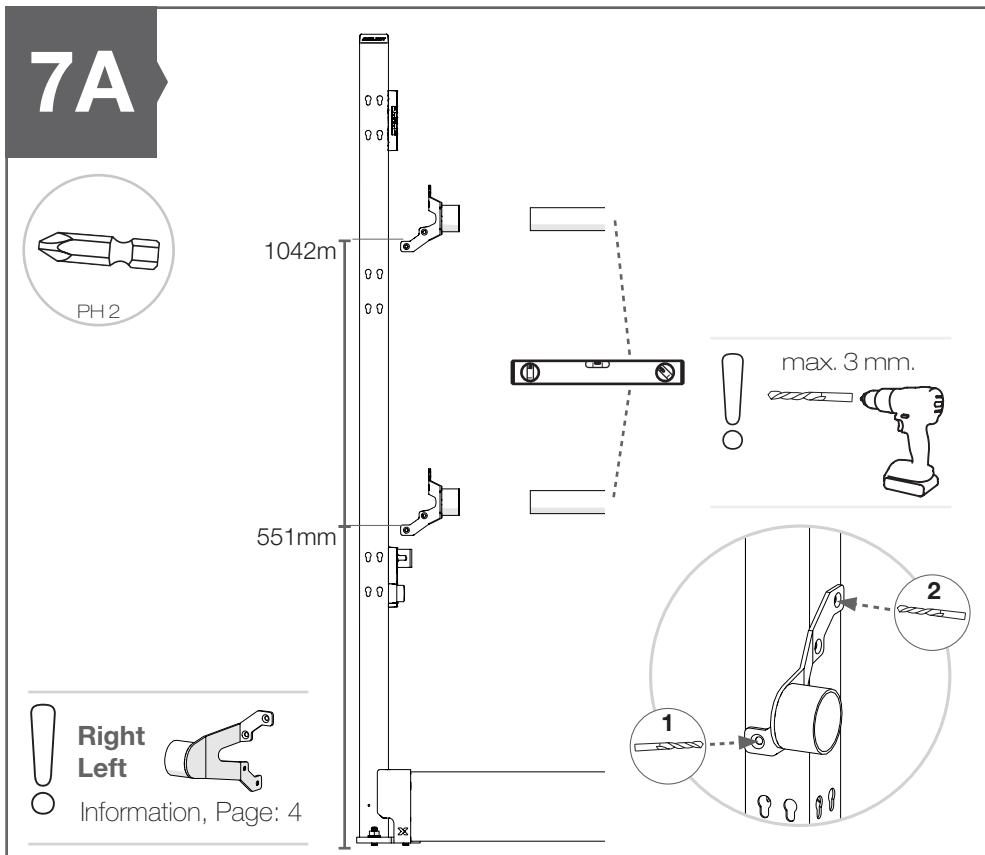
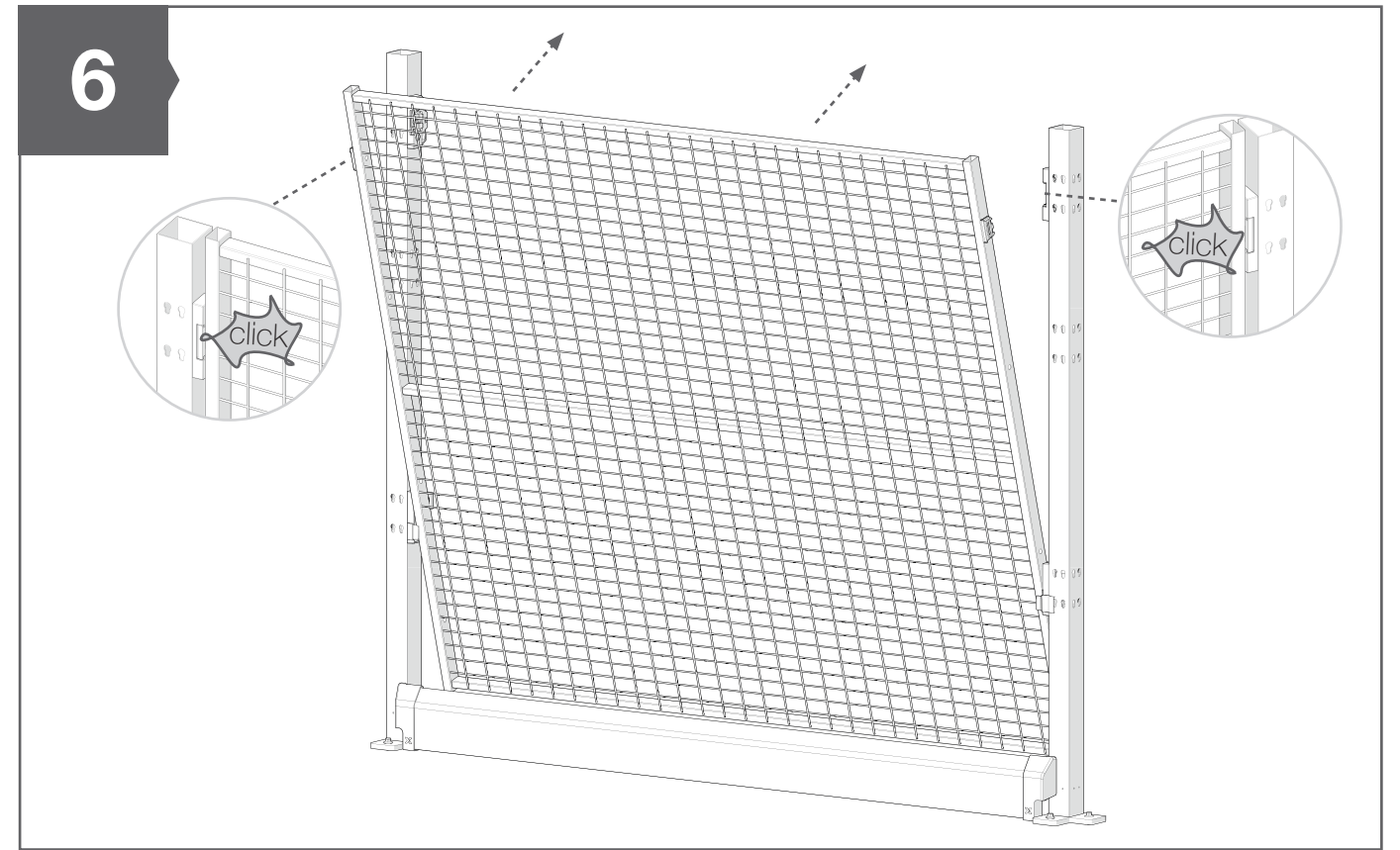
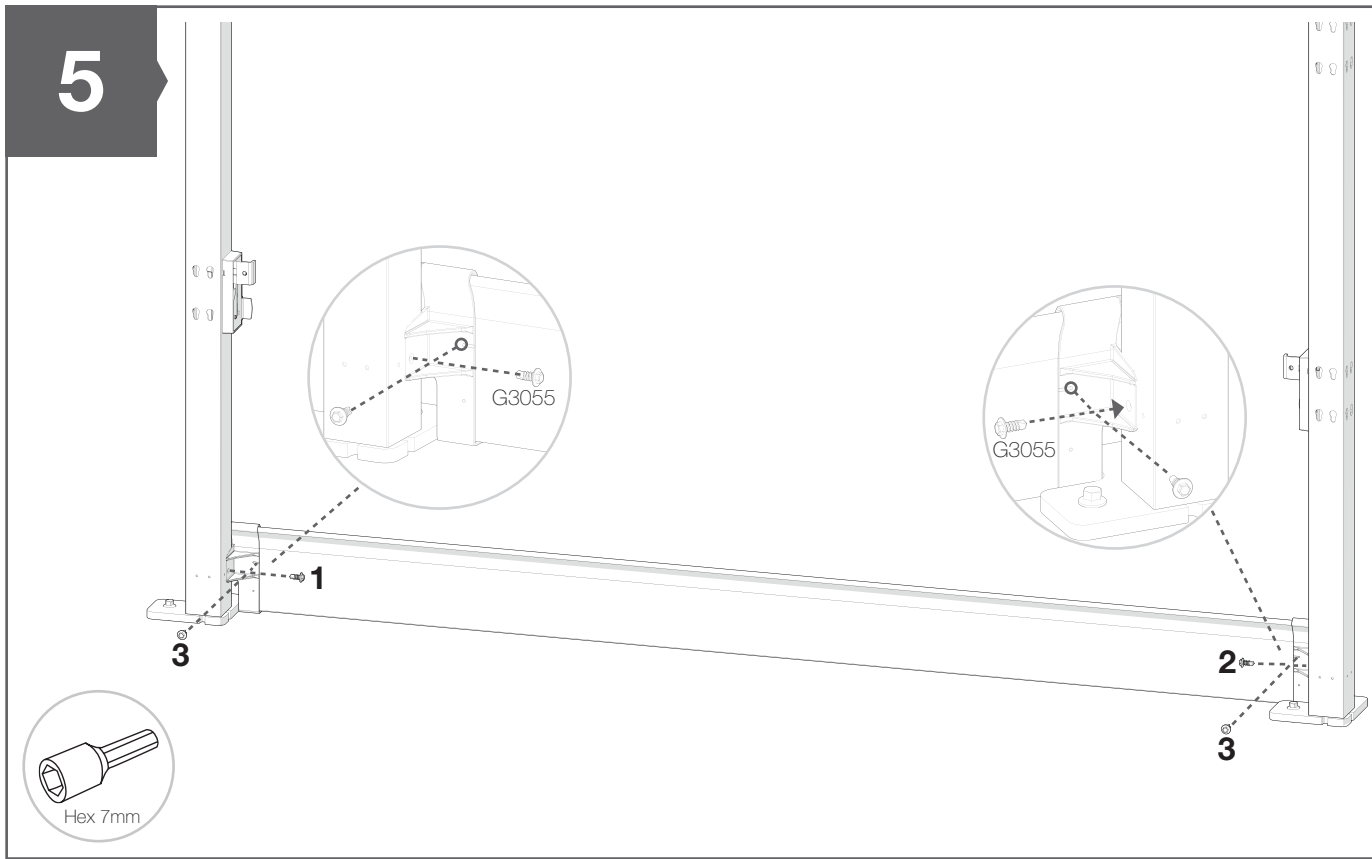


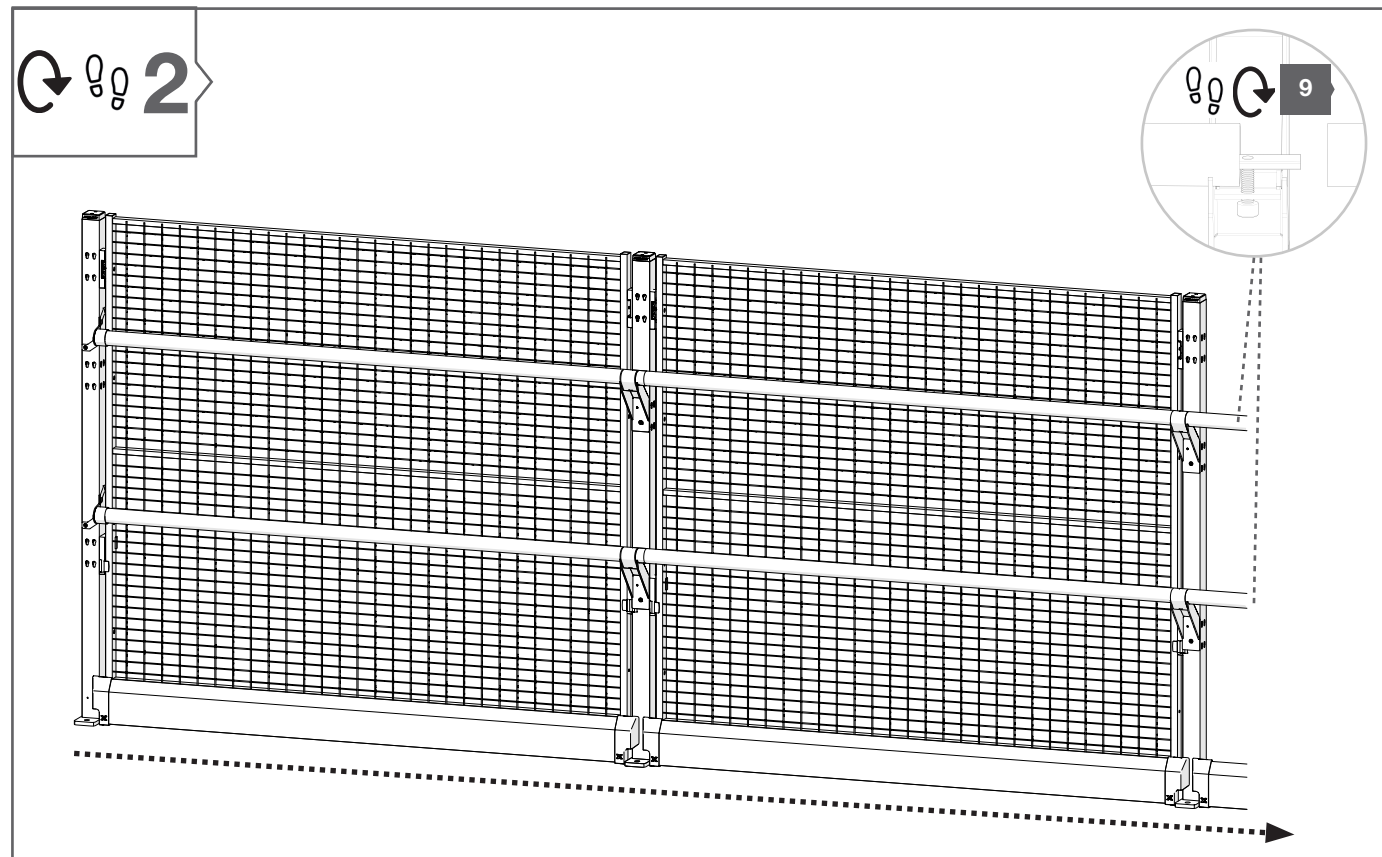
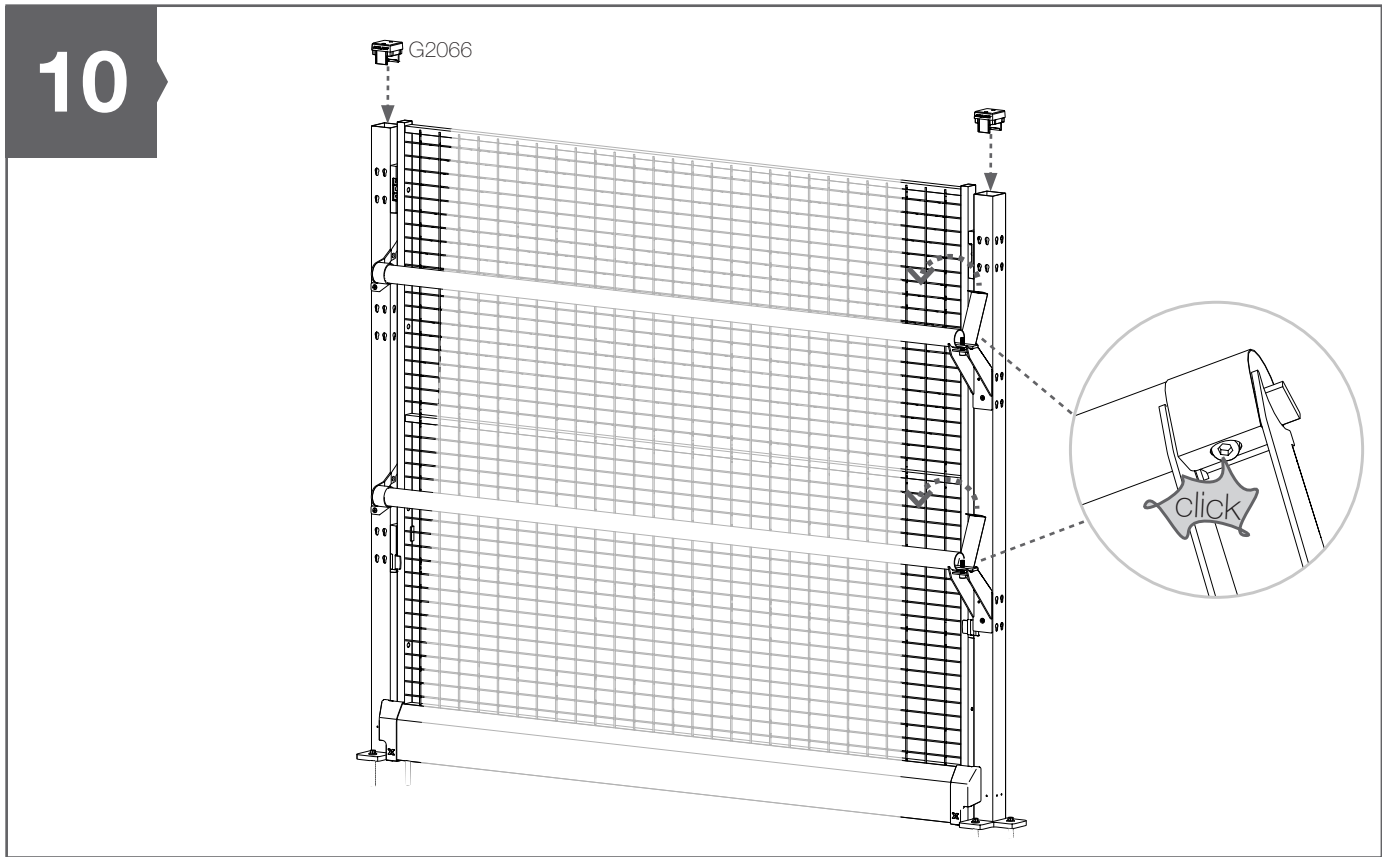
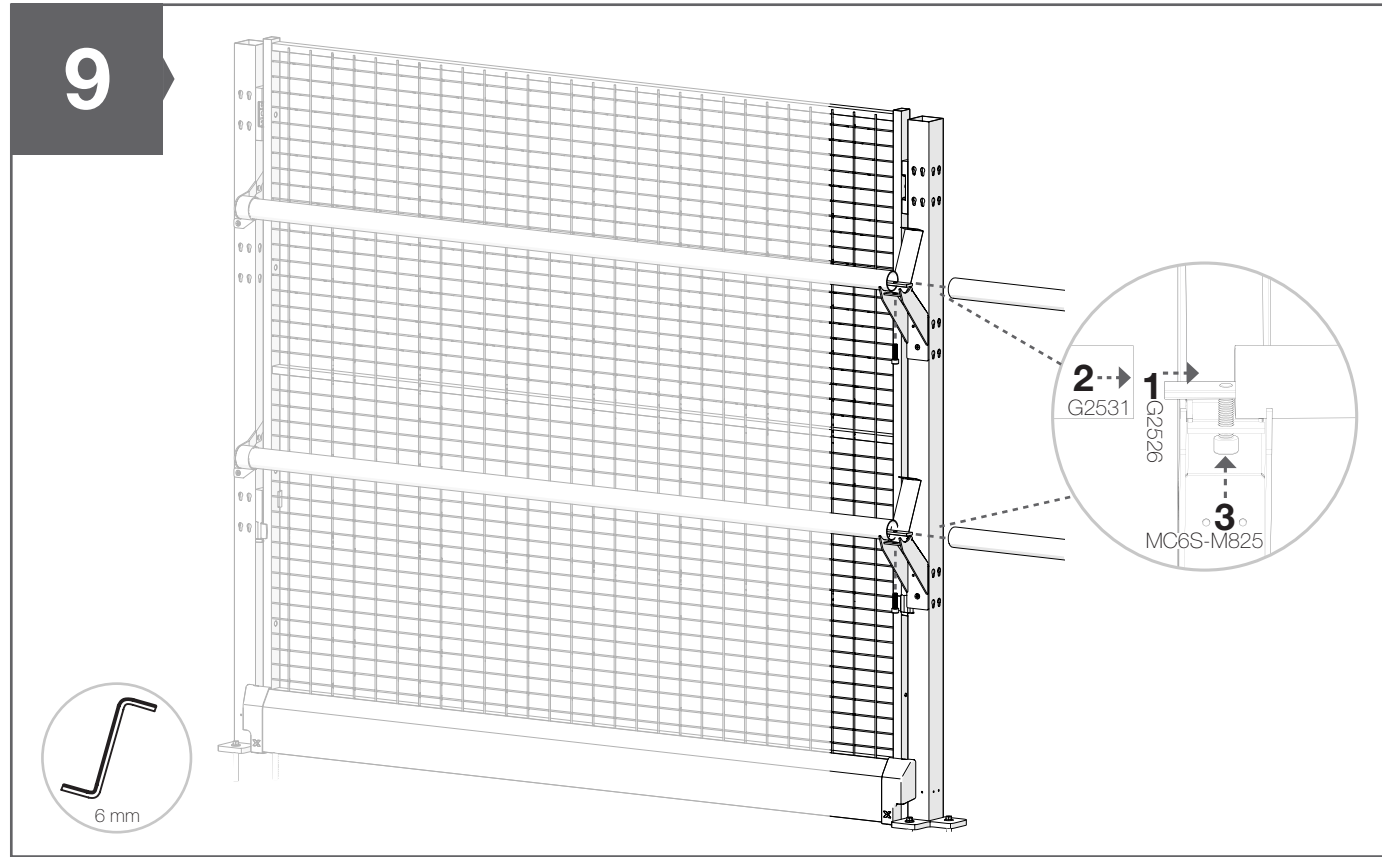
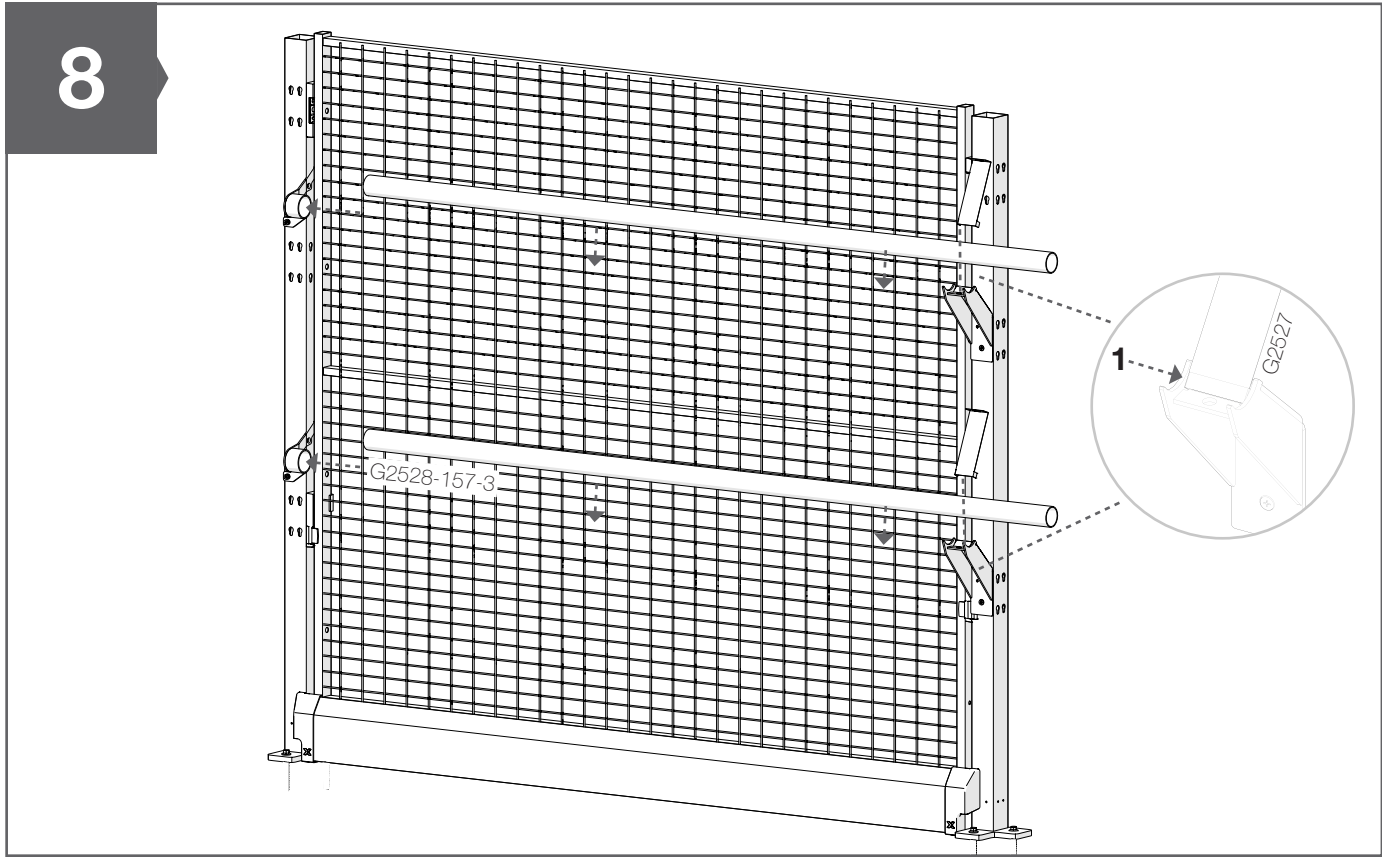
6 mm



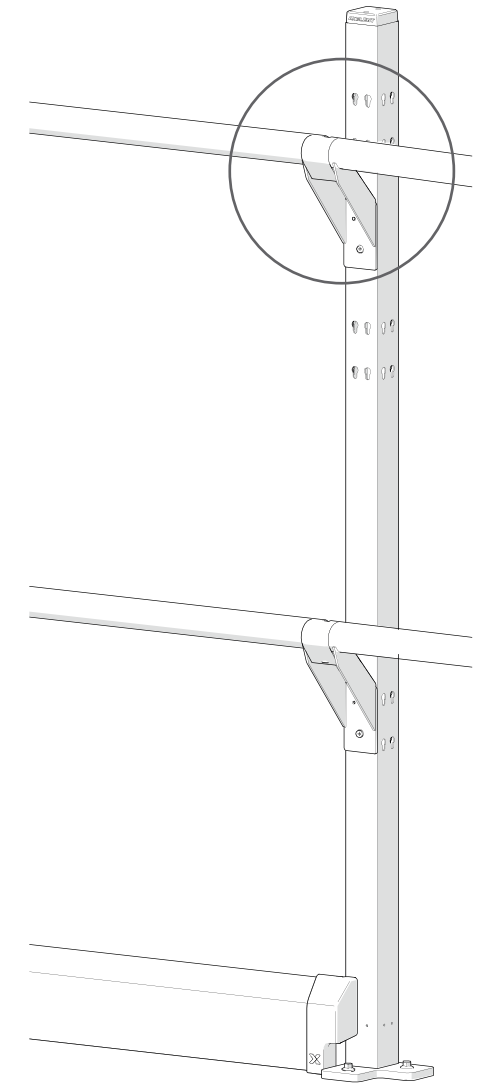
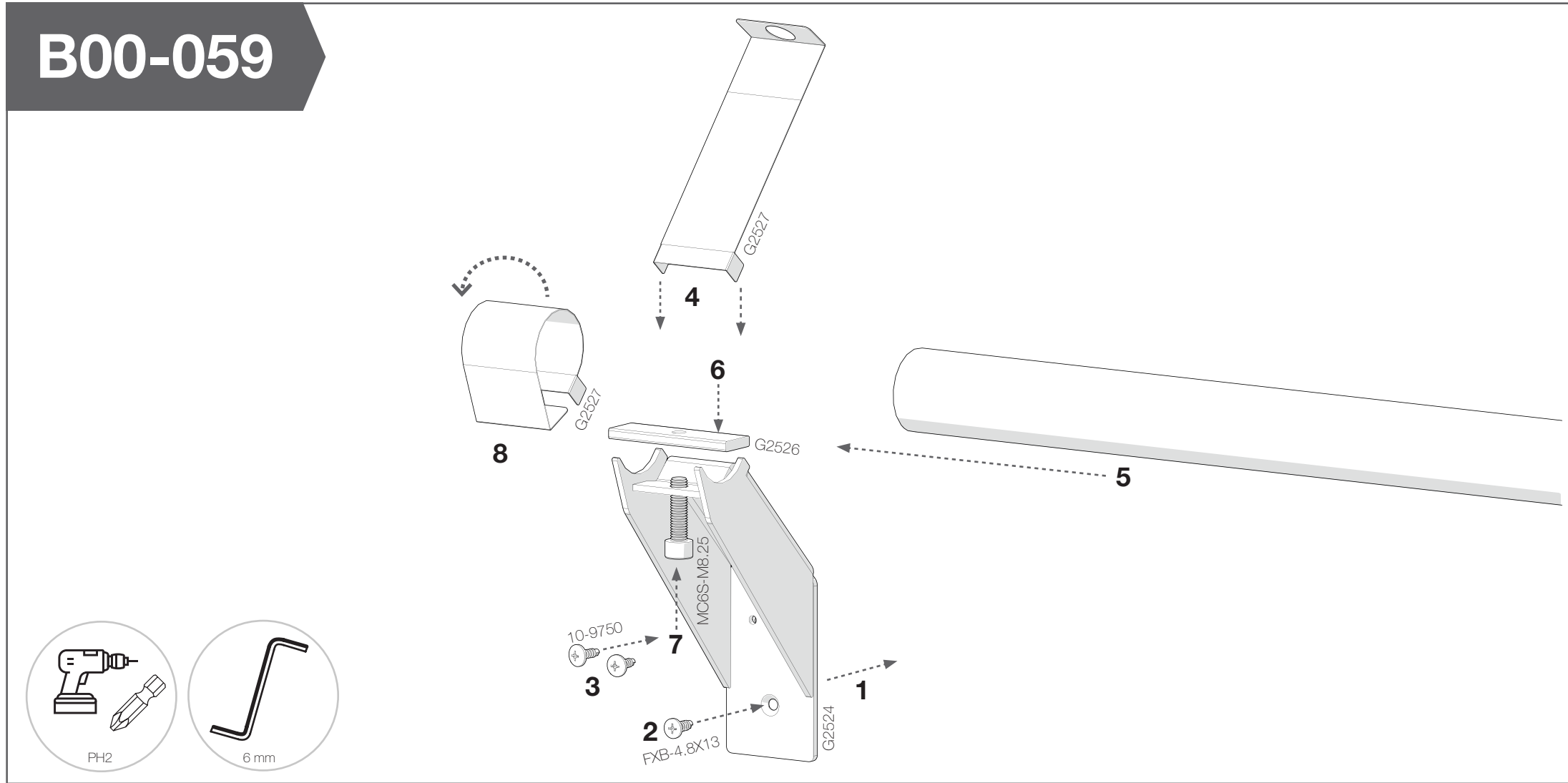
Hex 7 mm



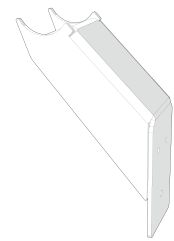




B00-059



B00-059



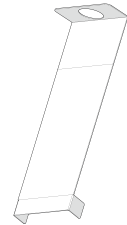
G2524

X1



G2526

X1



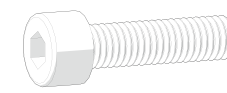
G2527

X1



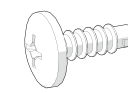
FXB-4.8X13

X1



MC6S-M8.25

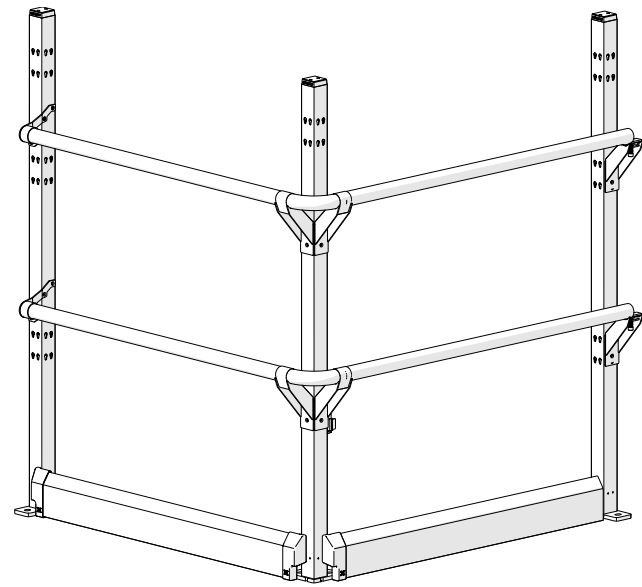
X1



10-9750

X2

Handrail outer corner / Kickboard outer corner



B00-060



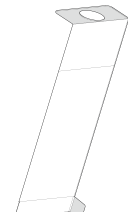
G2525

X1



G2526

X1



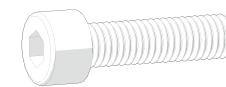
Art G2527

X1



FXB-4.8X13

X1



MC6S-M8.25

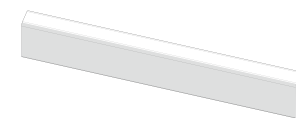
X1

T08-3-100RE



2515100-1000

X1



G2292-100

X1

B00-056



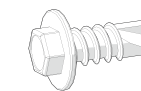
G2290

X1



G2291

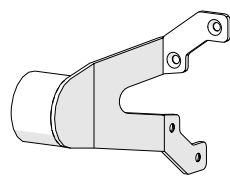
X1



G3055

X4

B00-103



G2532

X1



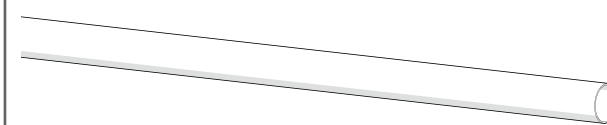
FXB-4.8X13ZB

X4



G2530

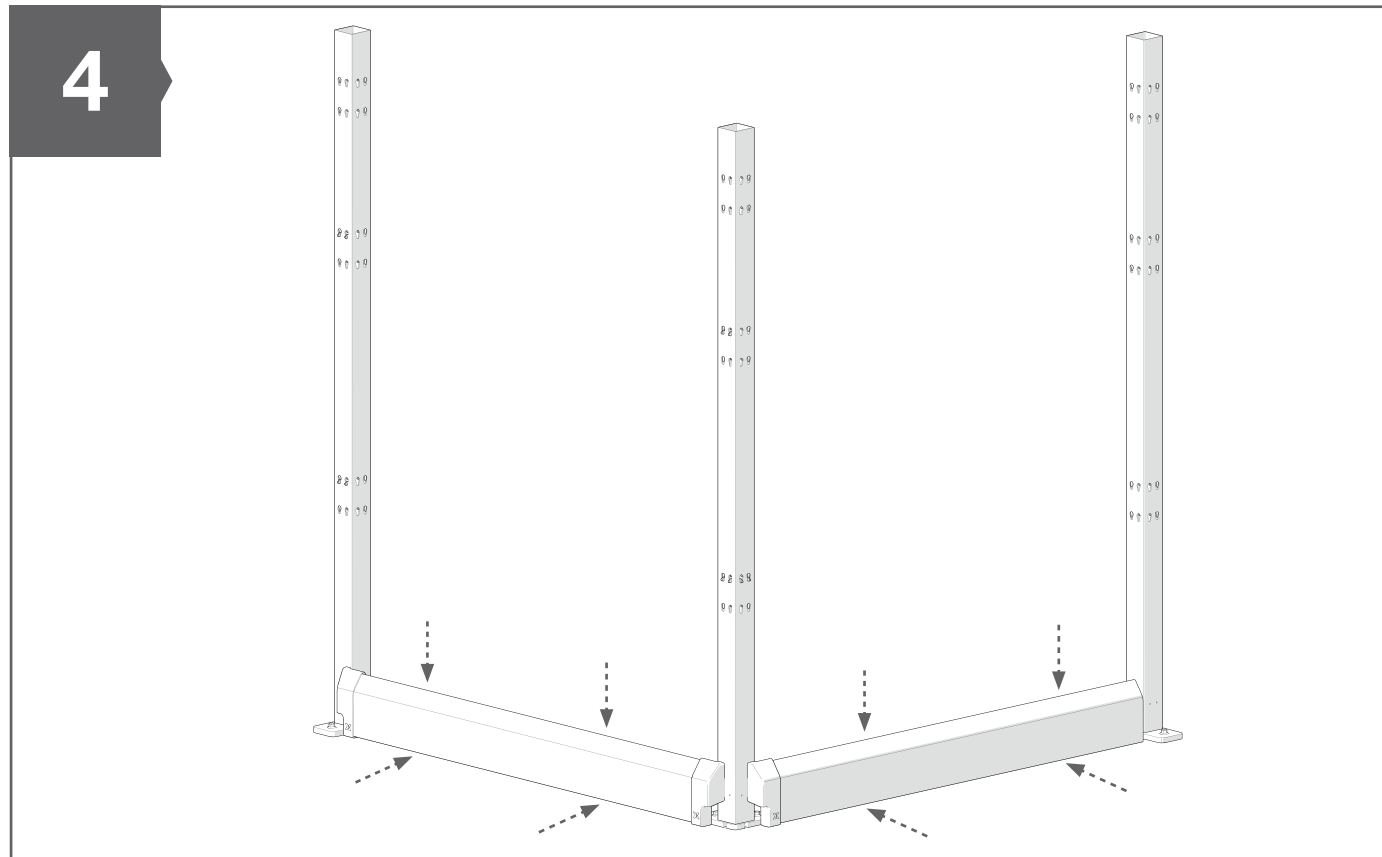
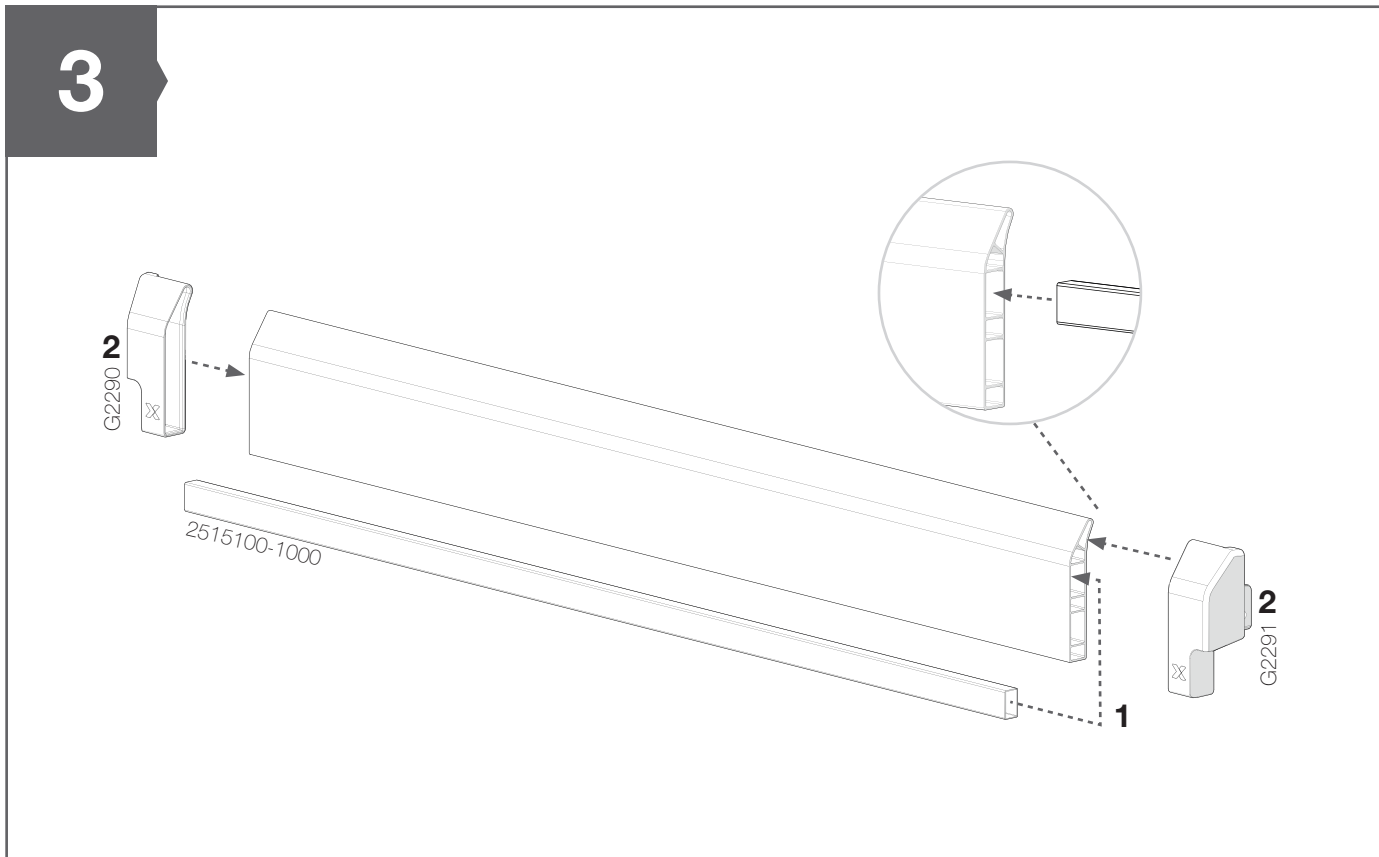
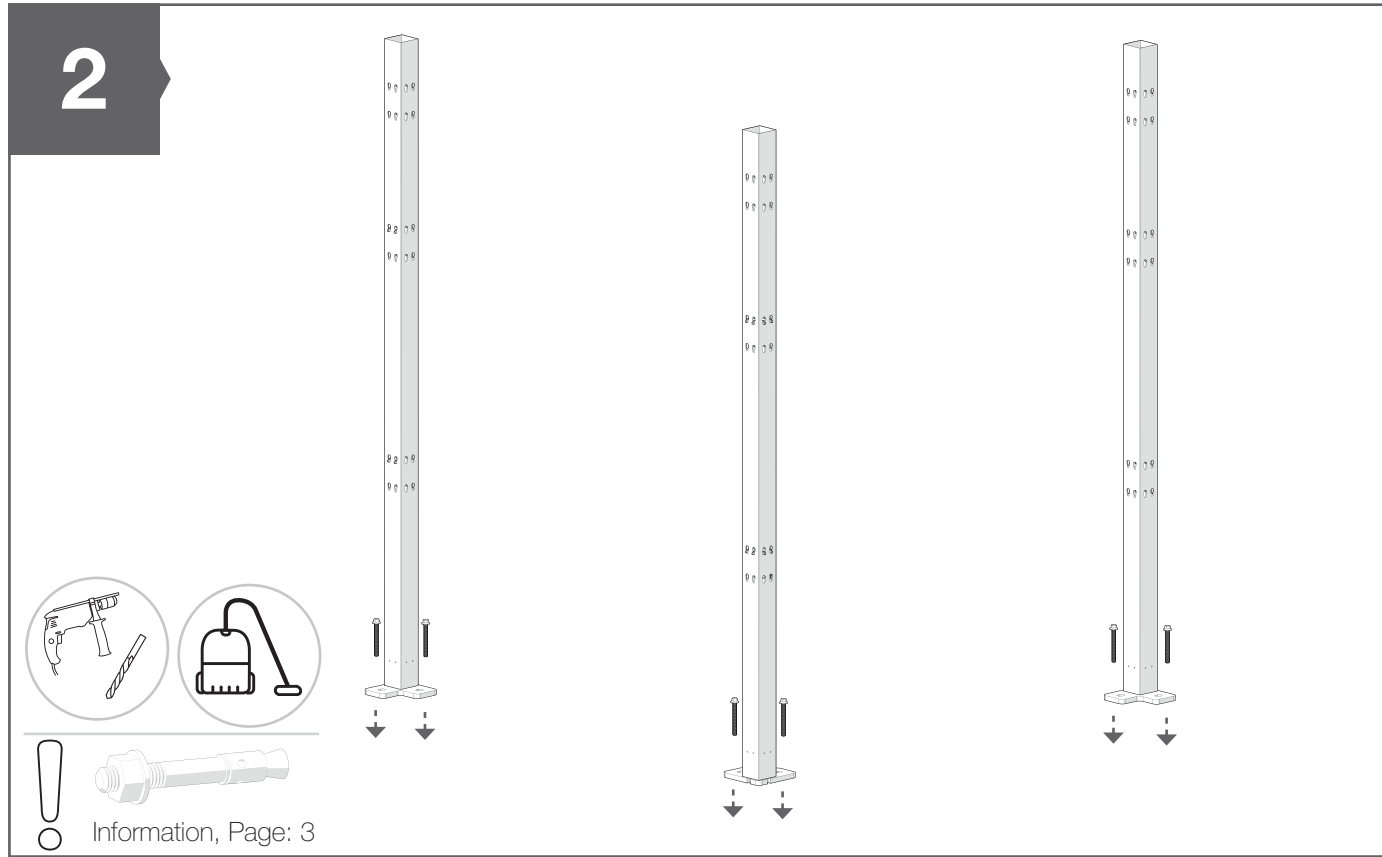
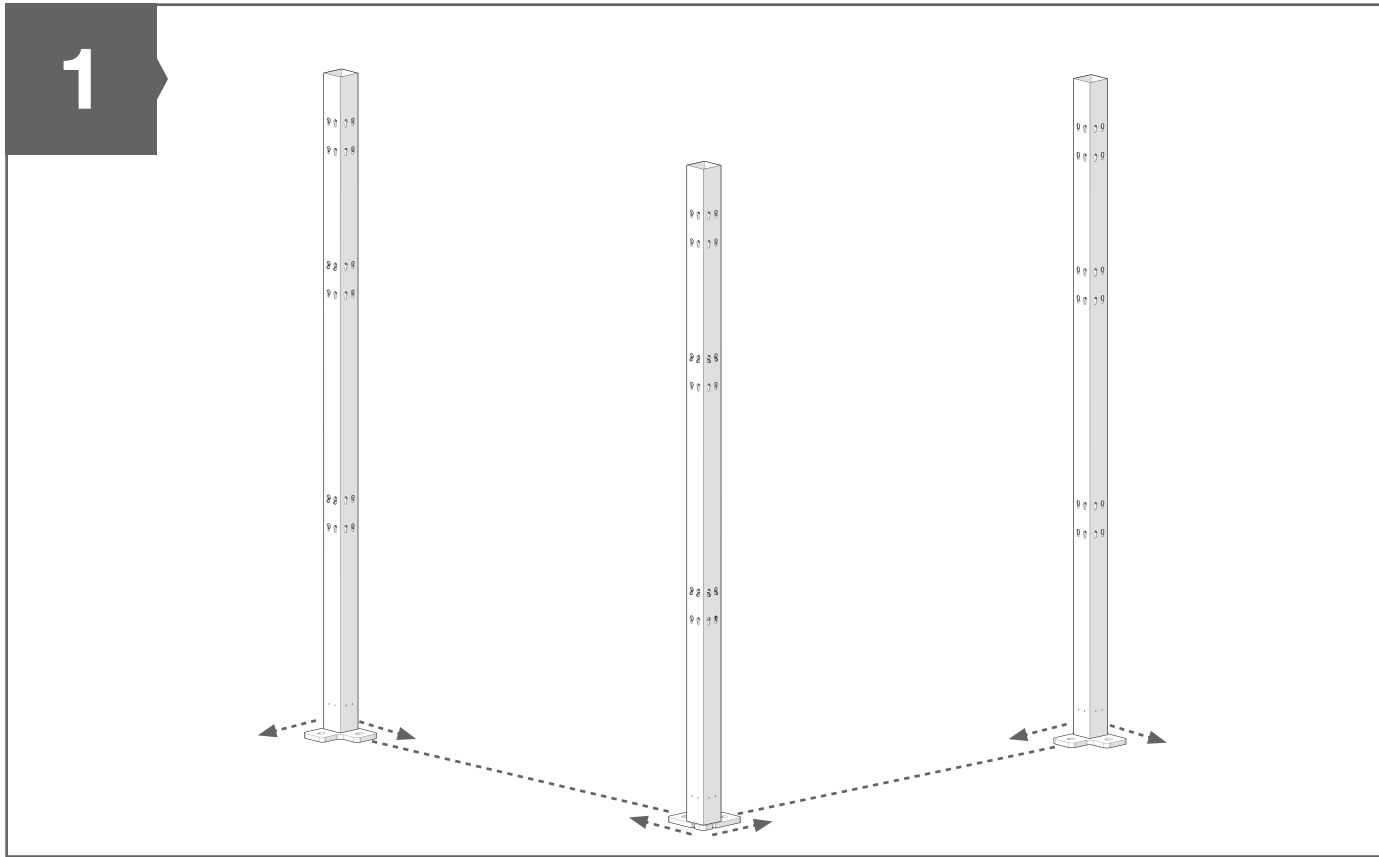
X1

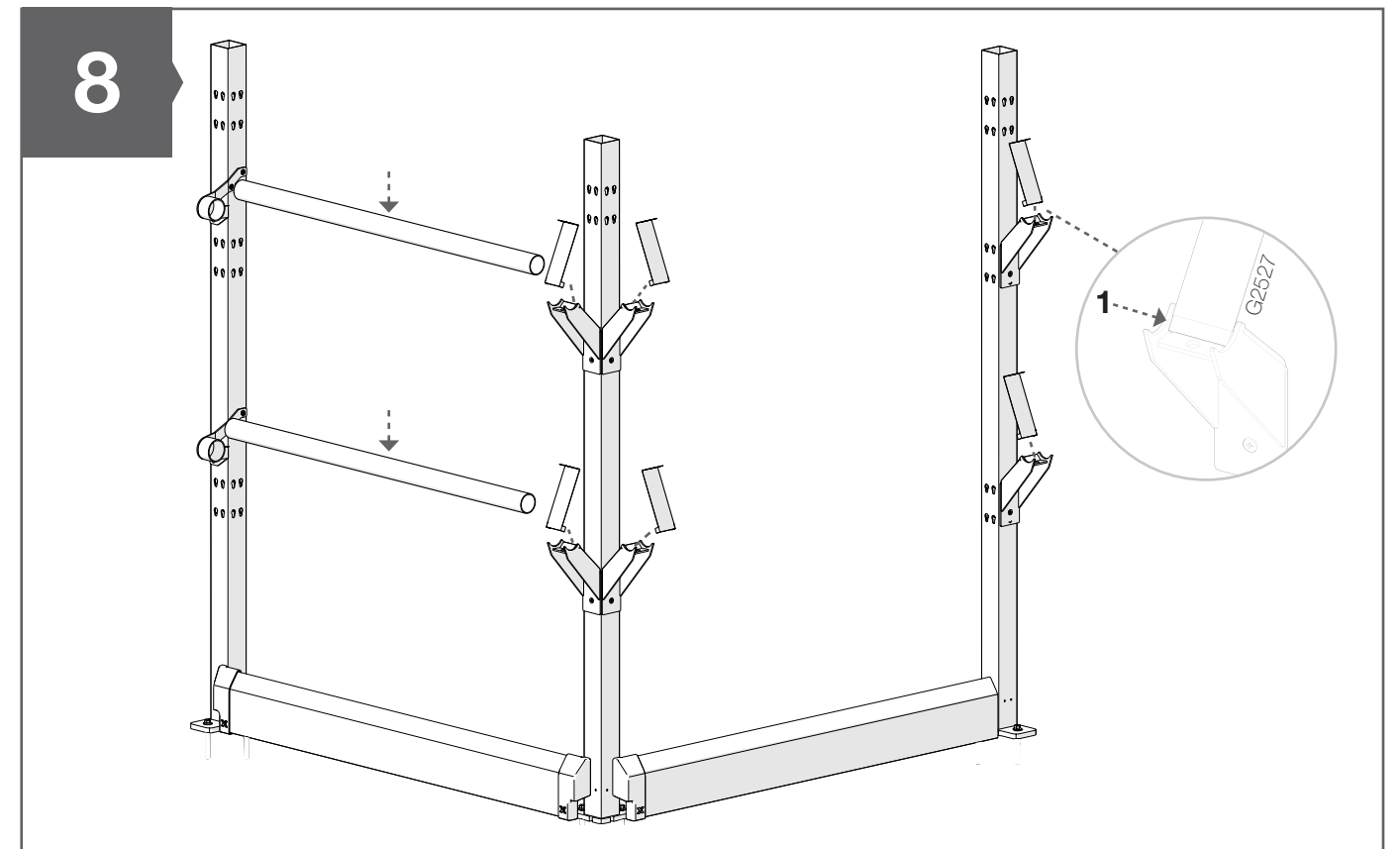
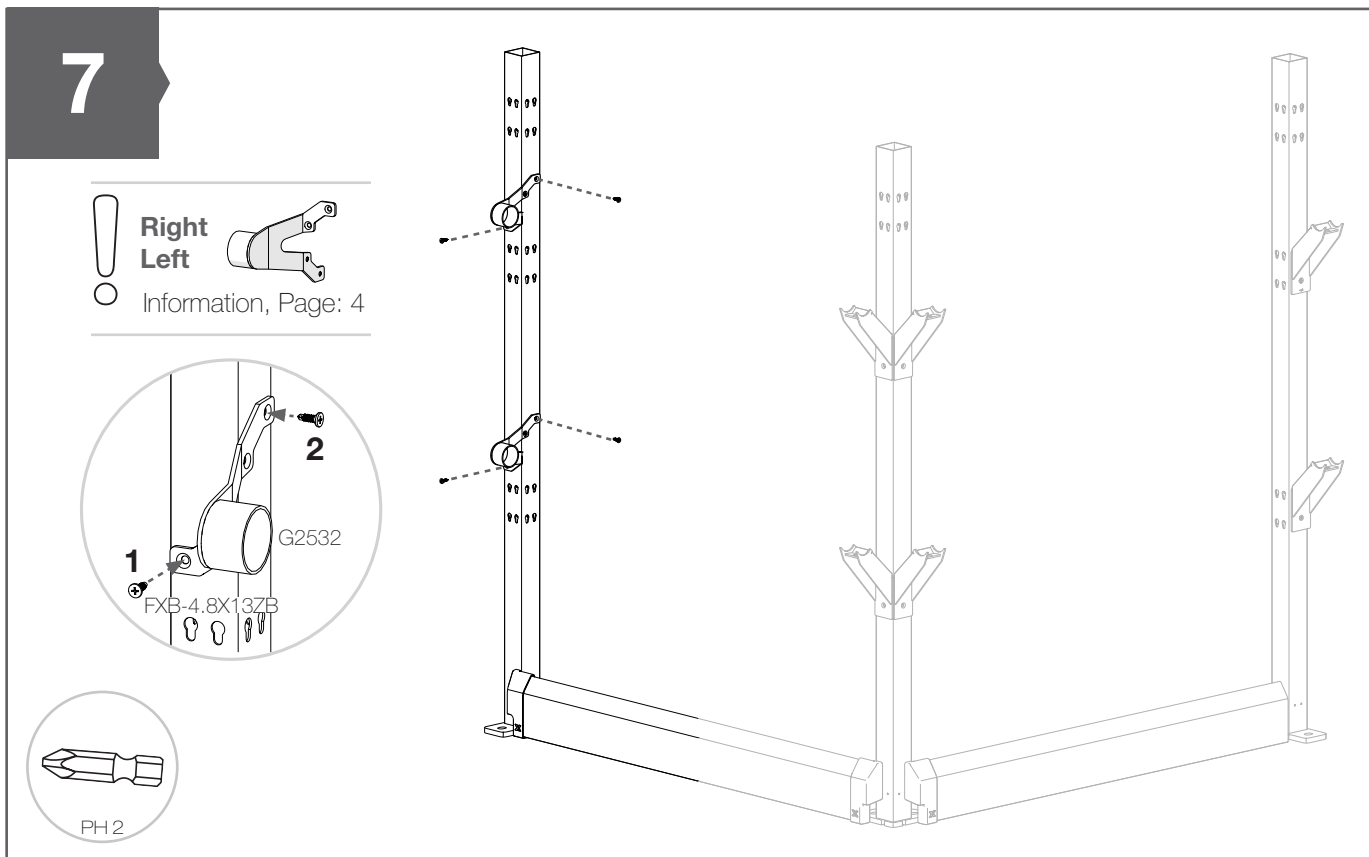
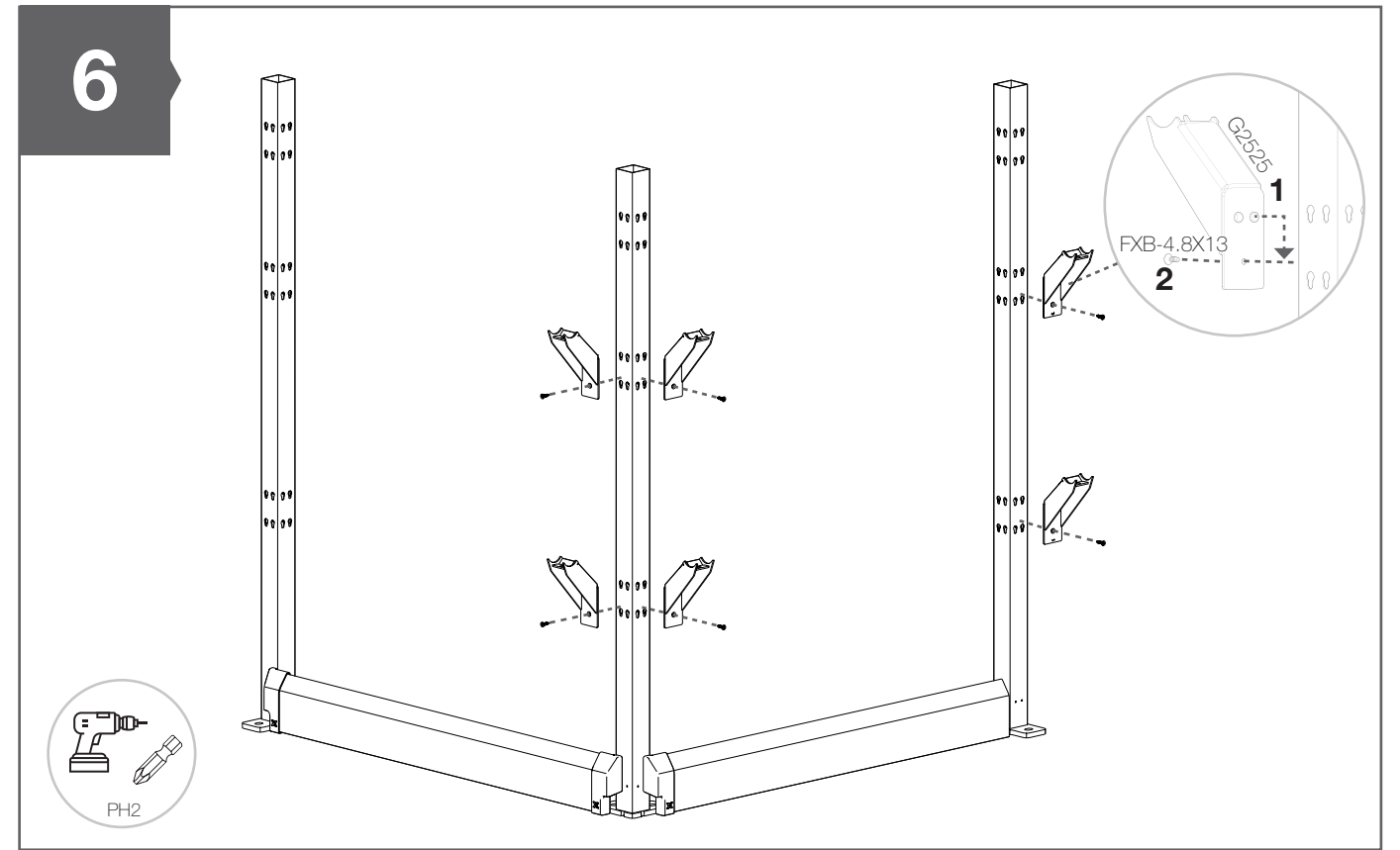
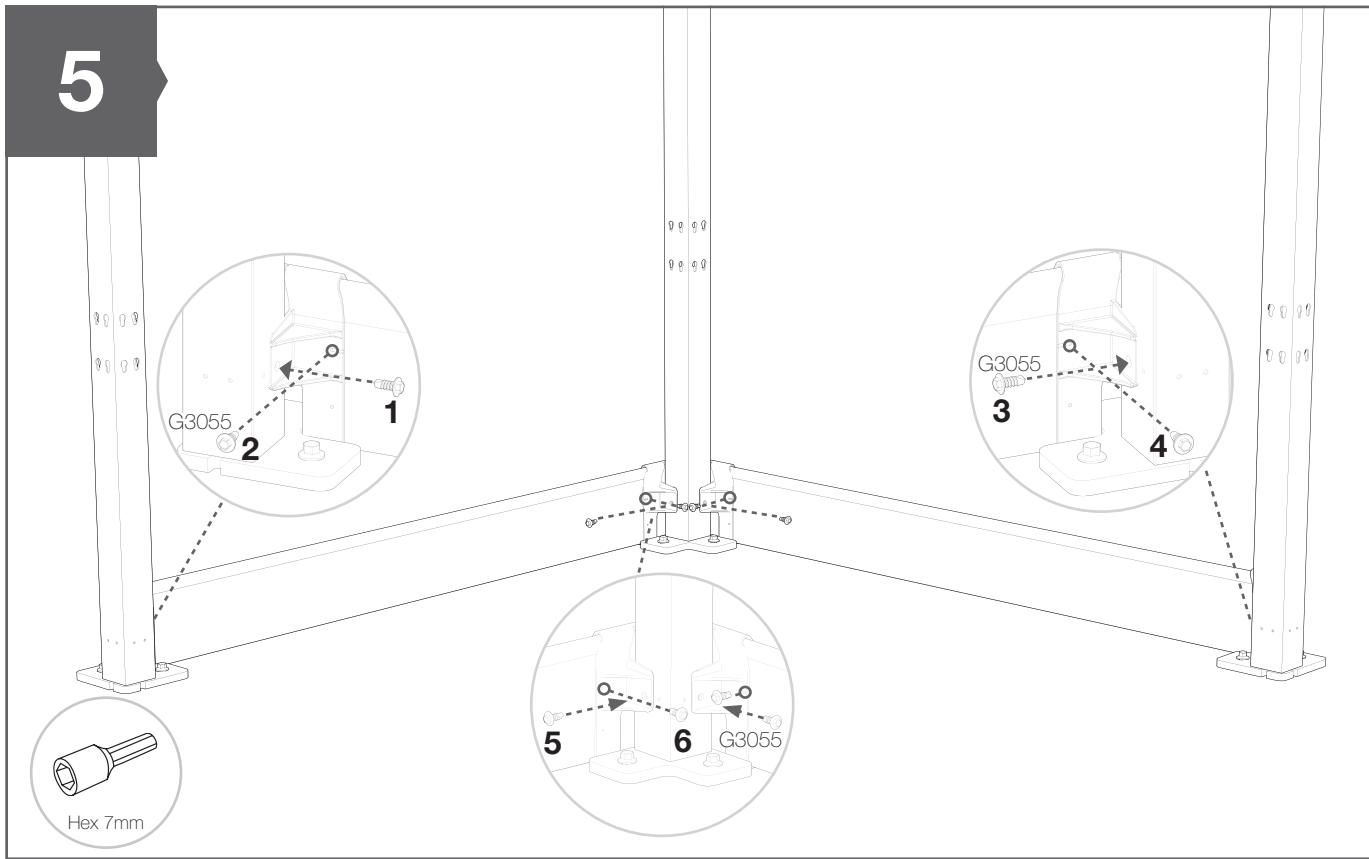


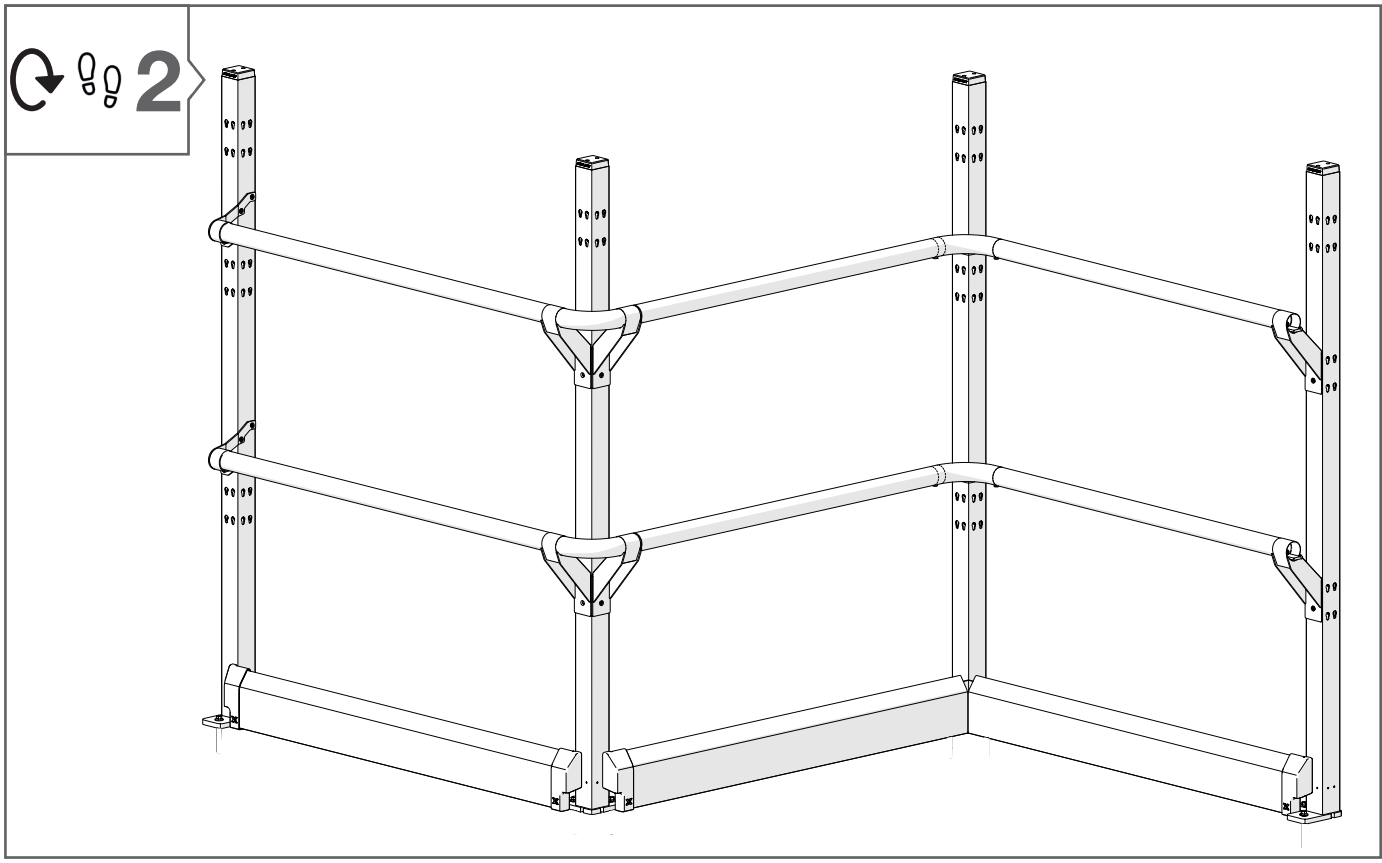
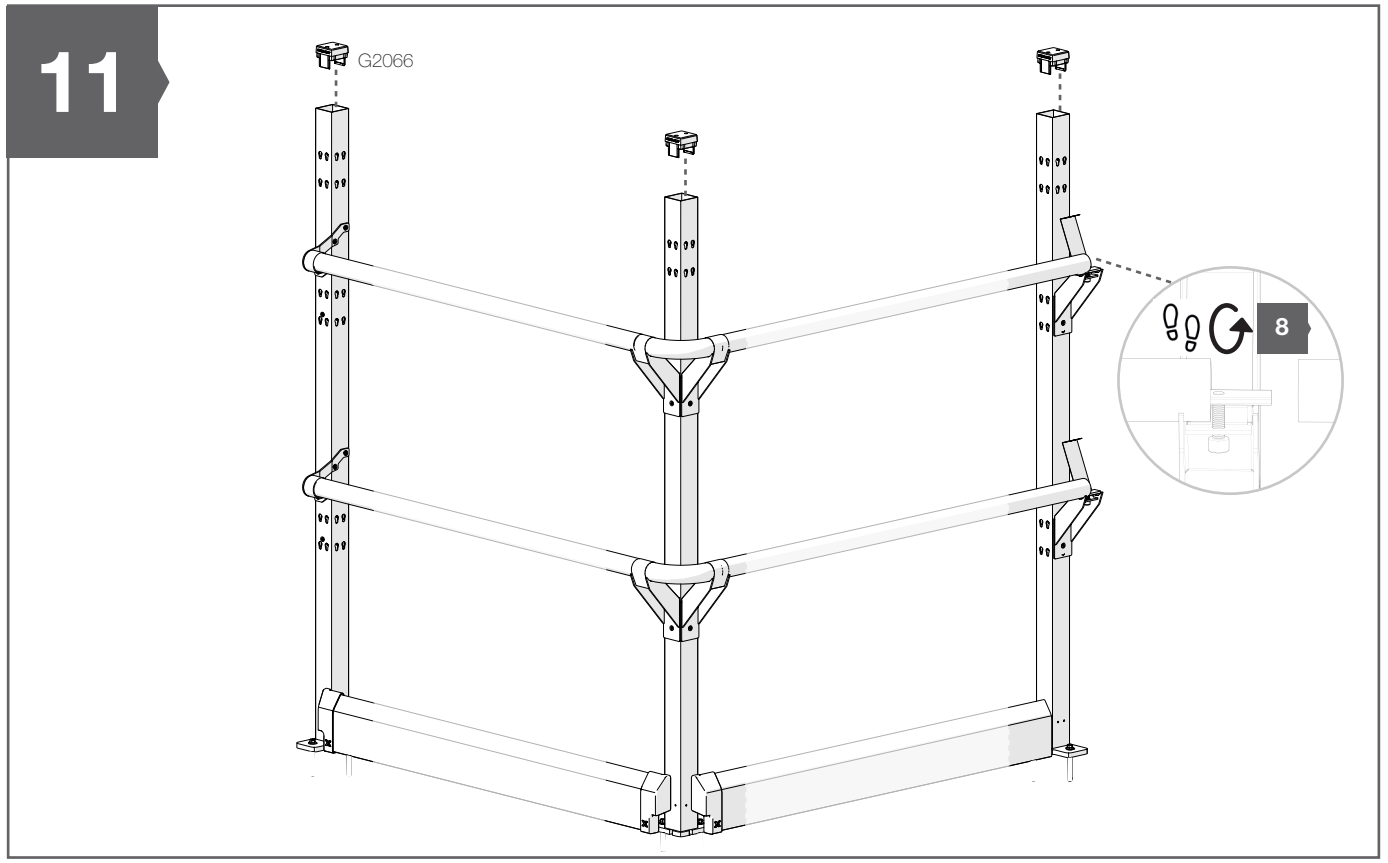
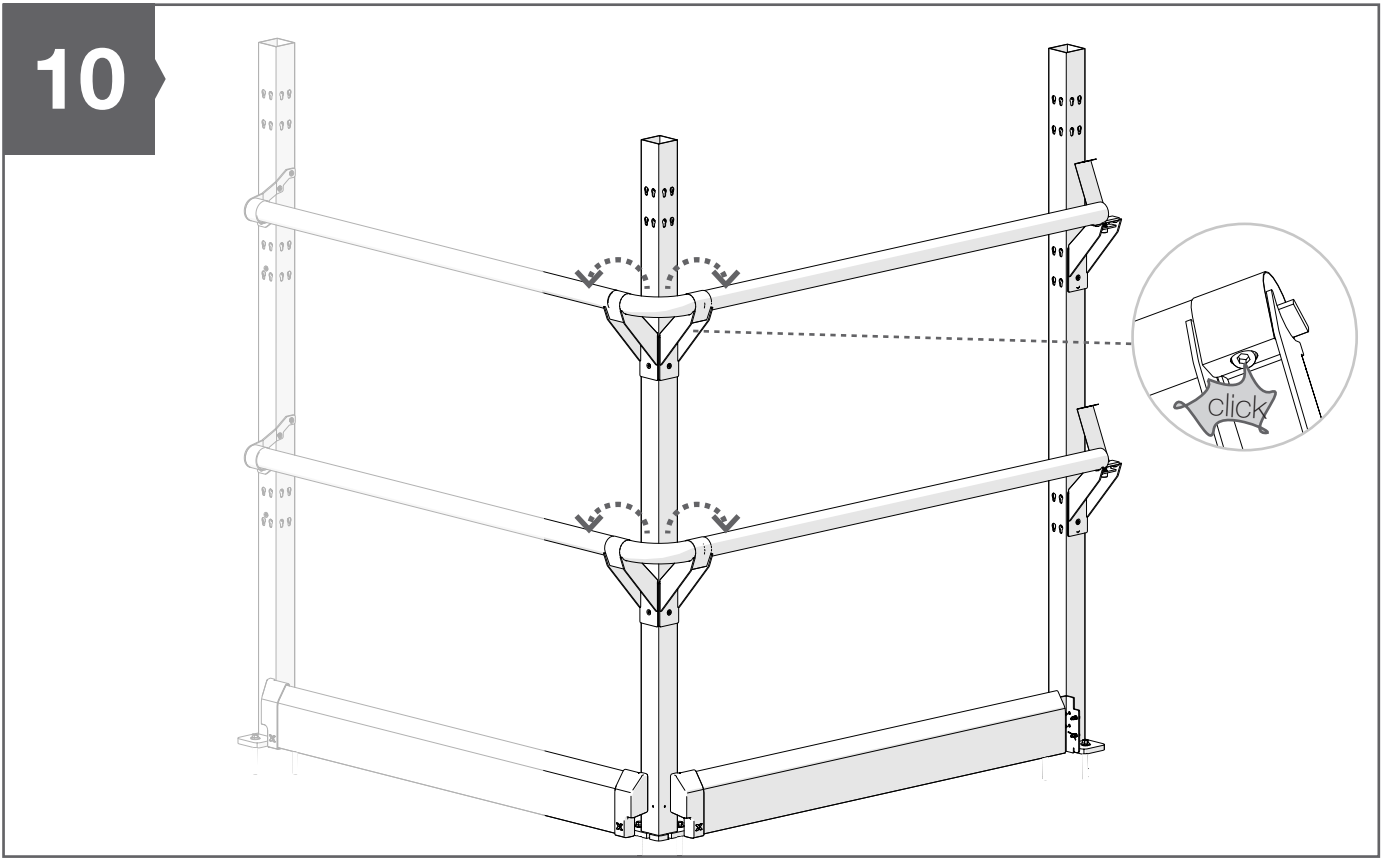
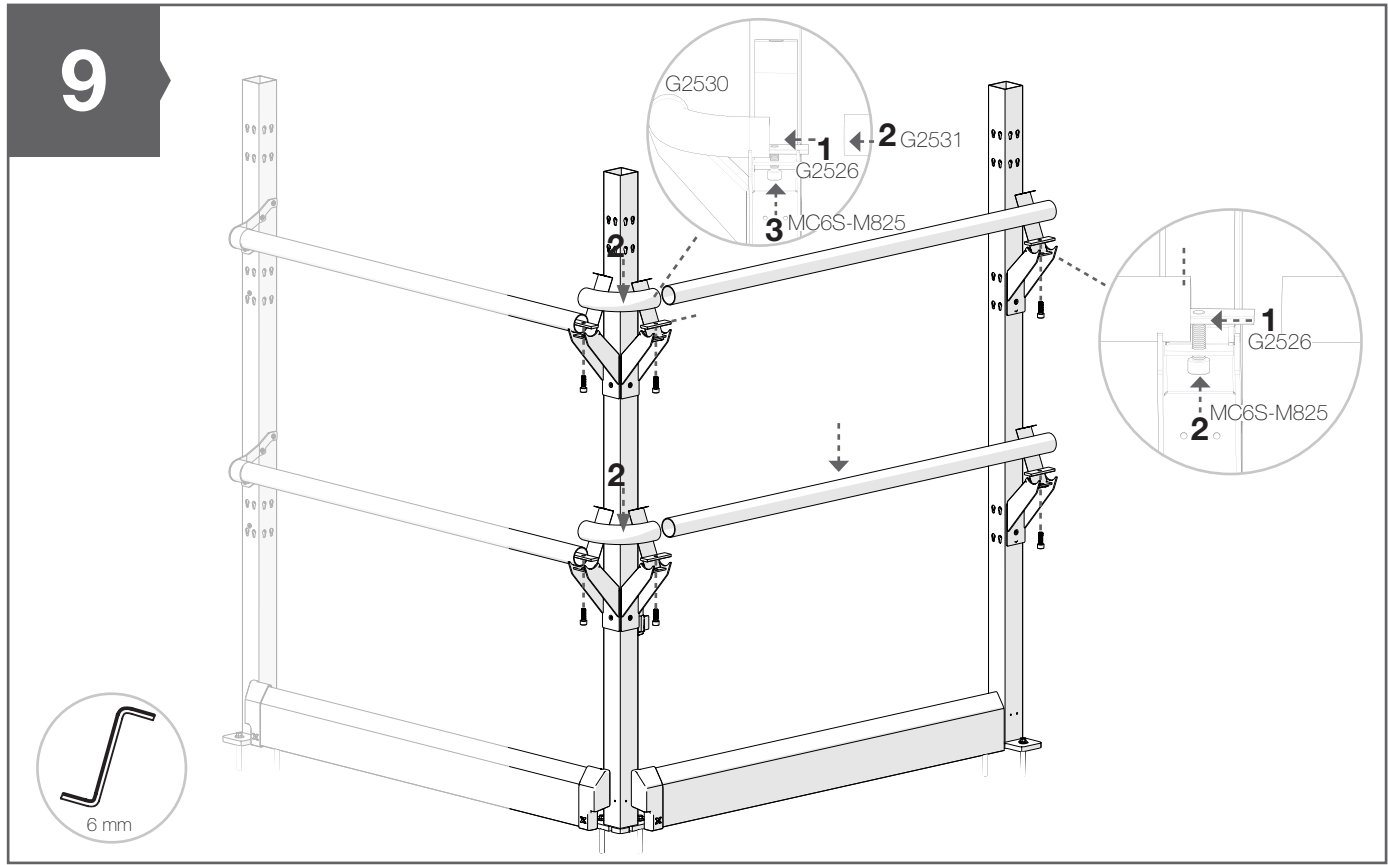
G2528-157-3

X1

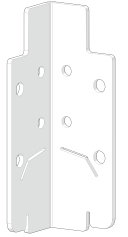
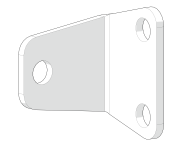
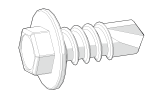



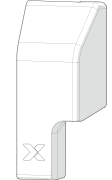
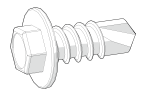




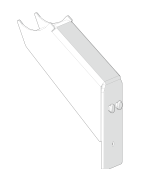

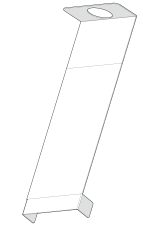

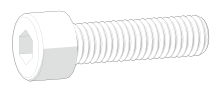


B00-057



	G2293	X1		G2294	X1		G3055	X7
---	-------	----	--	-------	----	---	-------	----

T08-3-100RE		2515100-1000	X1		G2292-100	X1	B00-056		G2290	X1		G2291	X1		G3055	X4
--------------------	---	--------------	----	--	-----------	----	----------------	---	-------	----	---	-------	----	---	-------	----

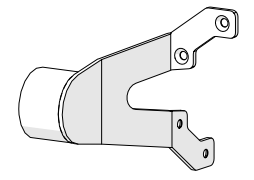
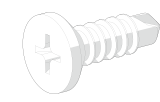
B00-060

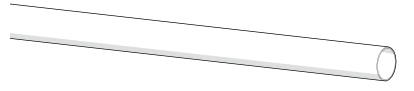
	G2525	X1		G2526	X1		G2527	X1		FXB-4.8X13	X1		MC6S-M8.25	X1
---	-------	----	--	-------	----	---	-------	----	---	------------	----	---	------------	----

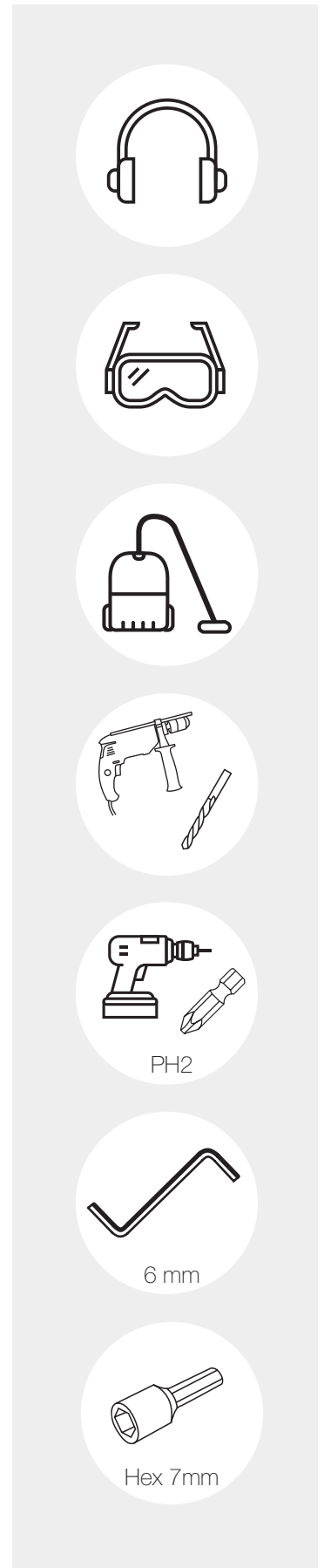
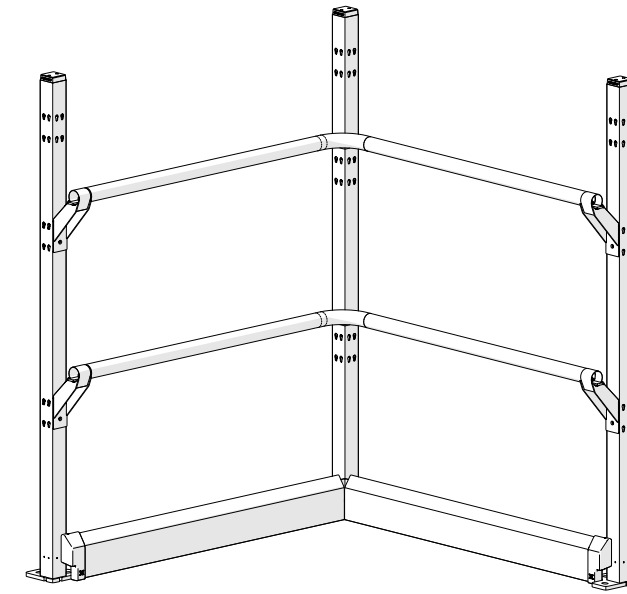
G2529

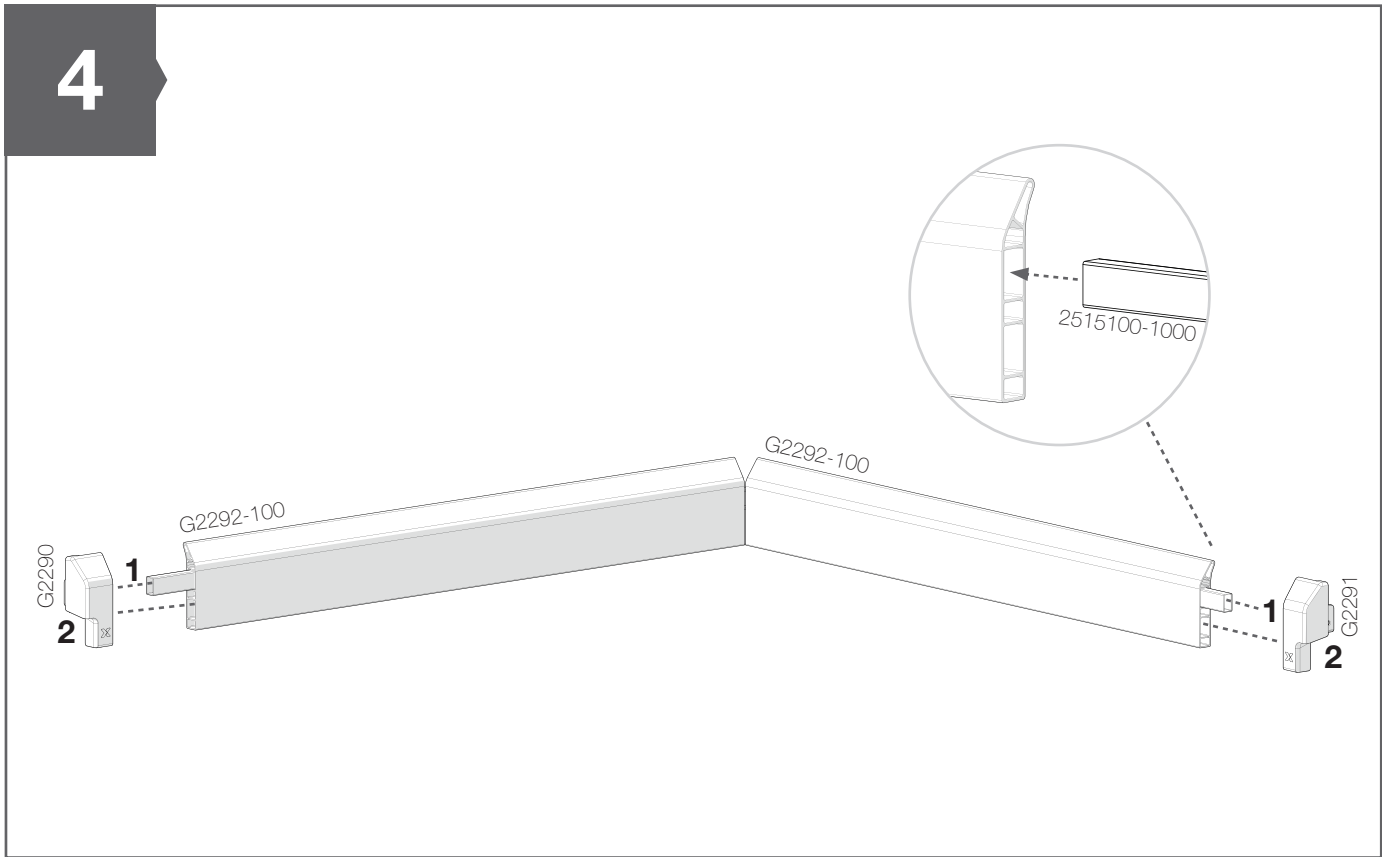
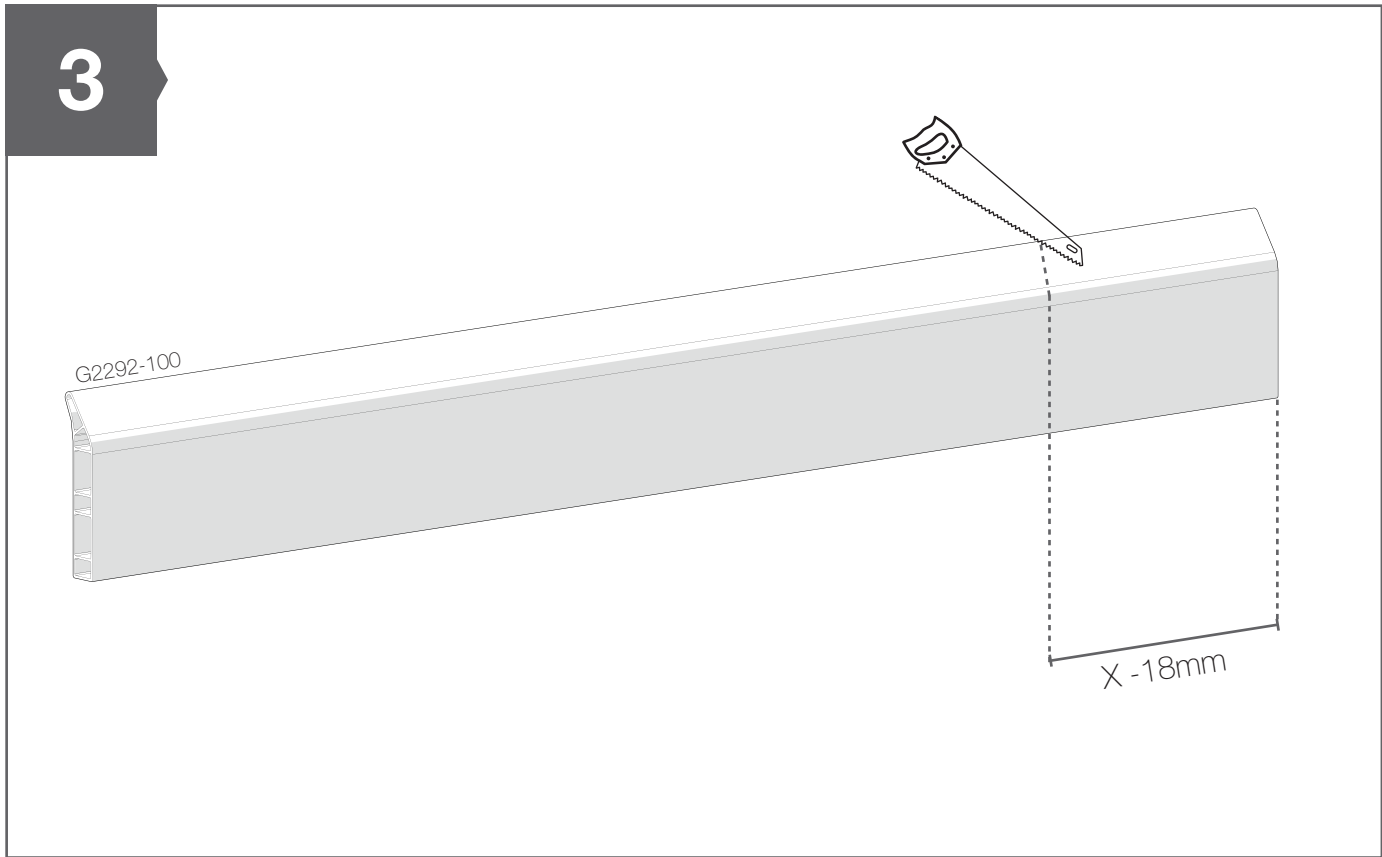
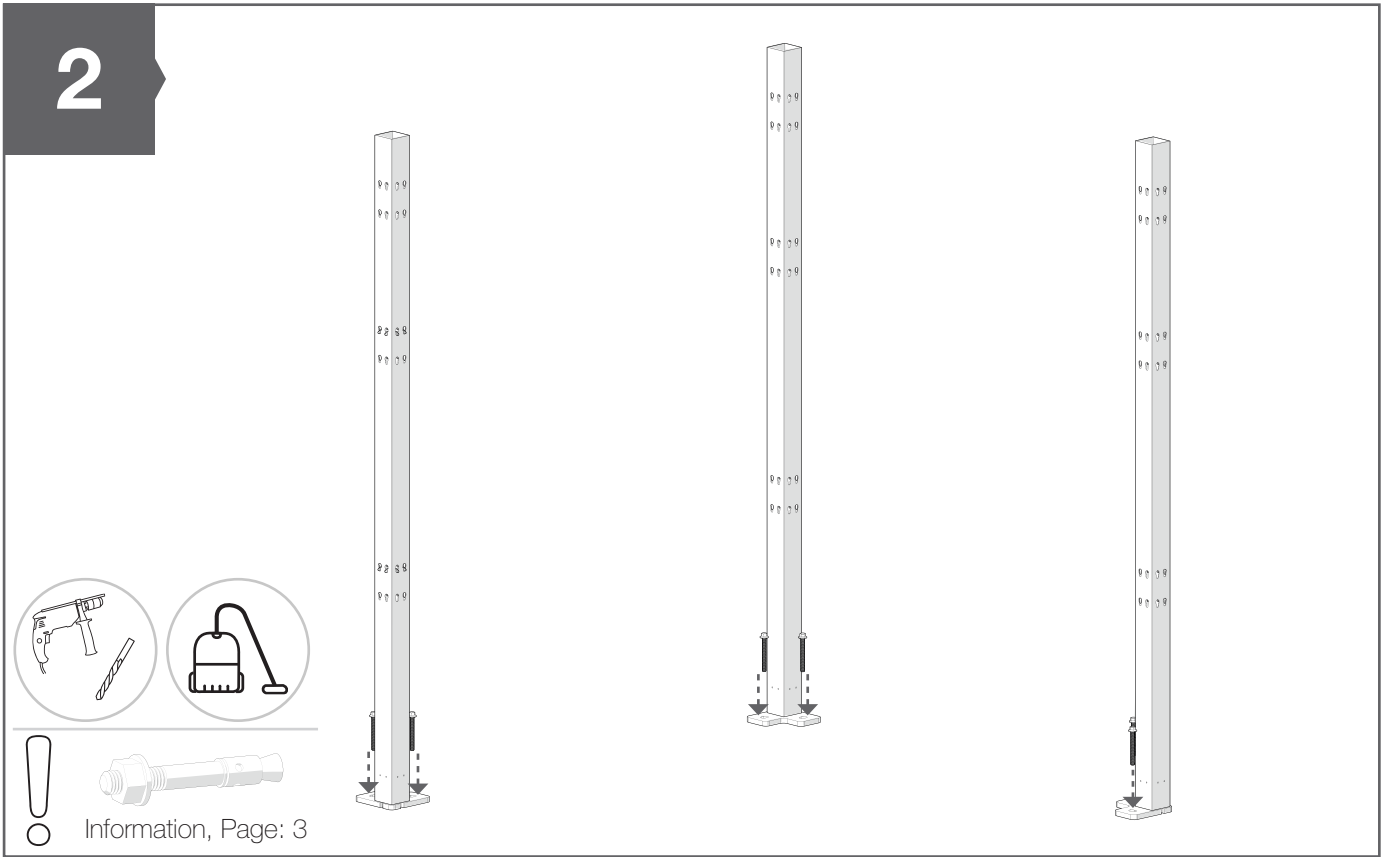
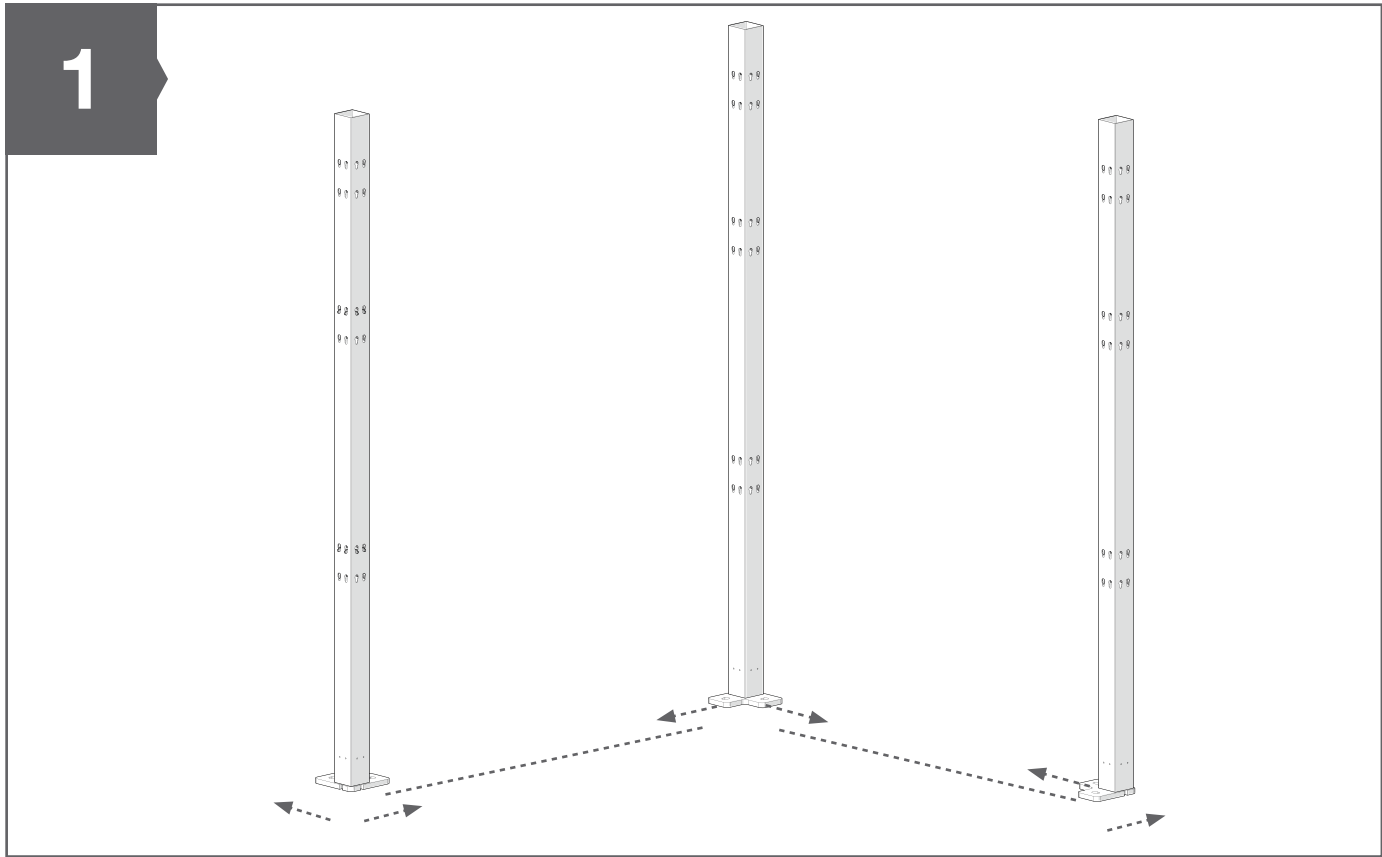
	G2529	X1		FXB-4.8x13	X4
---	-------	----	---	------------	----

B00-103

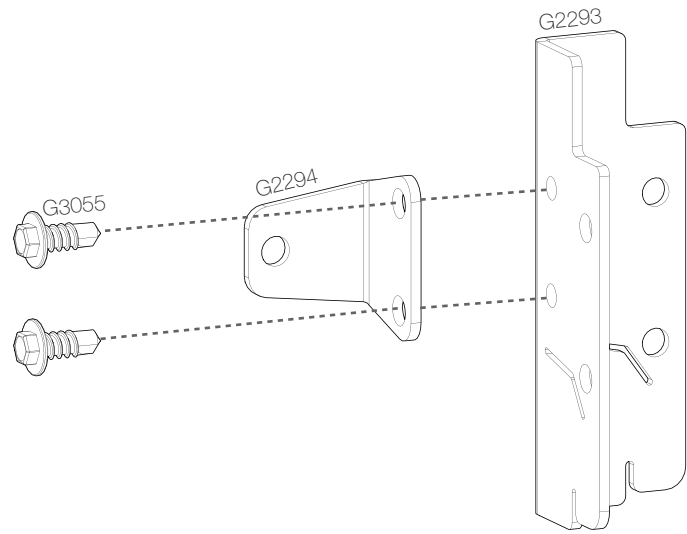
	G2532	X1		FXB-4.8X13ZB	X4
---	-------	----	---	--------------	----

	G2528-157-3	X1
---	-------------	----

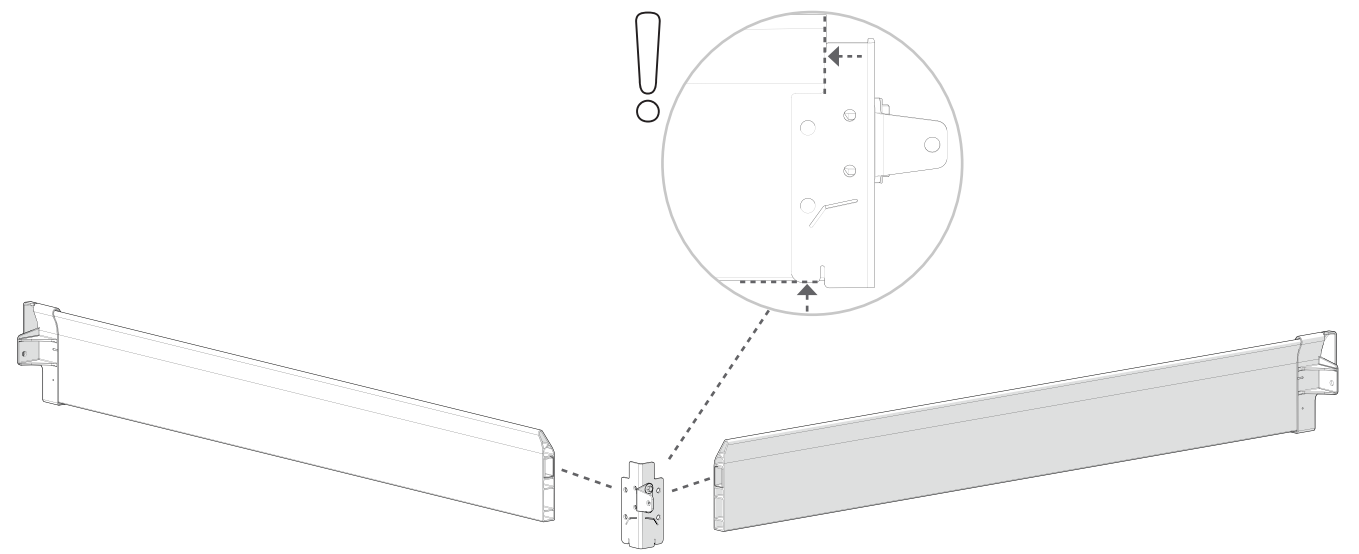




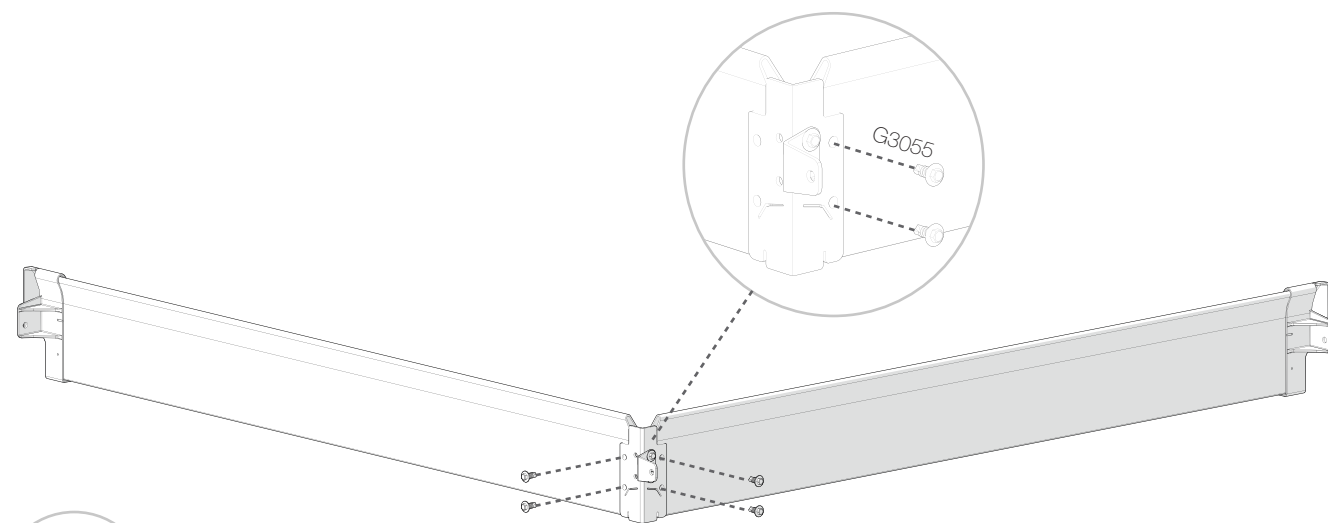
5



6



7



8

